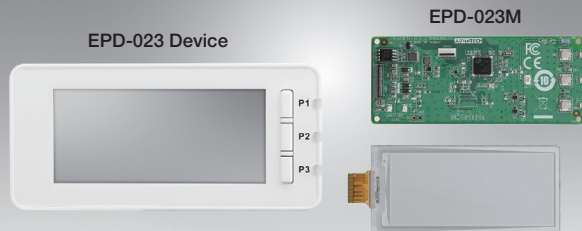


EPD-023, EPD-023M

2.9" Wireless ePaper Display Module & Device

NEW



Features

- ARM Cortex-M3 Core Processor
- Supported IEEE 802.15.4 / 2.4 G Networks
- 2.9" ePaper Panel Display
- Great for Low Power Consumption
- Multiple I/O Control with Three Buttons & Three LED
- Supported Temperature Range: 0 ~ 50 °C
- High Performance Integrated System with RTOS
- Supports Over-the-Air Upgrades upgrade (OTA)
- Solution with WISE-3610Z/WISE-3240 Network Coordinator & ARK ePaper Manager Server

Introduction

EPD-023 supports the ultra-low power 2.4GHz RF wireless protocol integrated with 2.9" EPD in an ARM Cortex-M3 processor. The module can support hospital, pharmacy, factory, warehouse and retail applications with optimal power consumption and device management. Your applications with low data rate requirements can achieve years long battery lifetimes and thousands of device connections.

The Advantech EPD-023 provides multiple interfaces for application control which are highly integrated with the EPD driver and low power consumption system. EPD-023 can auto-join network groups with the WISE-3240 IoT Router and WISE-3610Z IoT Gateway. Data can be easily acquired and transformed into a different format to communicate with ePaper Manager Server. System integrators can focus on application development and system management.

Specifications

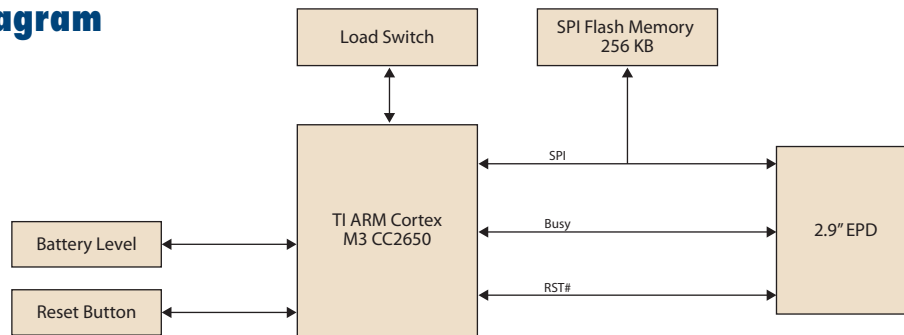
Computing System	MCU	TI 32-bit ARM Cortex-M3 Processor
	Memory	RAM 28KB
Display	Screen Size	79 x 36.7 mm
	Resolution	296 x 128 pixels
	Touch Type	-
Storage	Internal	Flash: 128 KB
	External	SPI Flash: 256 KB
Audio		-
Network	Standard	IEEE 802.15.4
	Frequency Band	2.4-GHz
	Channels	11~26
	Channel Separation	5MHz
	Topology	Star network
	Transmit Power	-21dBm~ +5dBm
	Receiver Sensitivity	-100dBm
	RF Data Rate	250 Kbps
	Function	End node
Antenna	On-board Antenna	
Interface		LED x3 Function Key x3
Power	Battery	CR2450 x4 (2480mAh)
Environment	Operational Temperature	B/W: 0 ~ 50 °C
	Non-Operational Temp.	-25 ~ 60 °C
	Operating Humidity	5 ~ 80% Relative Humidity, non-condensing
Physical Characteristics	Dimensions (W x H)	79.0 x 36.7 mm
	Weight	80g with housing and battery
Operating System		RTOS

* Note:

-The channel frequency selection can be supported by further plan.

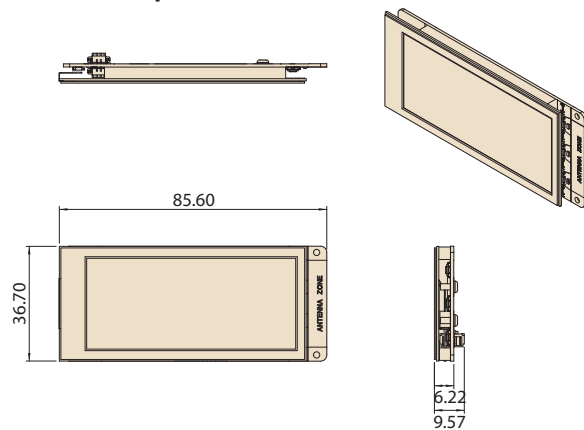
-EPD Data Report and Wakeup behavior duration can be adjusted by different scenario from RESTful API

Board Diagram

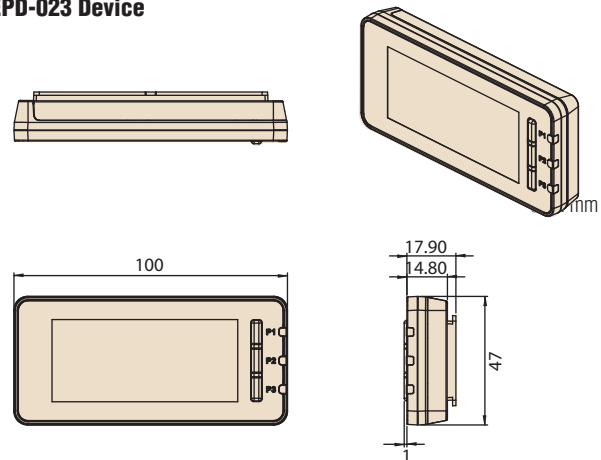


Dimensions

EPD-023M ePaper Module



EPD-023 Device



Ordering Information

Part No.	Description
EPD-023B1AG-NTC02	2.9" wireless ePaper display module in 2.4G
EPD-023B2AG-NTC02	2.9" Wireless ePaper displays system solution in 2.4G
EPD-023B2AG-NTC12	EPD-023B2AG-NTC02 for 50 pcs device solution kit

Optional Accessories

Part No.	Description
1760002692-01	4 pcs CR2450 battery

Packing List

Model Name	Part No.	Description
EPD-023M	EPD-023B1AG-NTC02	1. 2.9" Black/White ePaper 2. ePaper Control Board with IEEE802.15.4 (2.4G) wireless control module
EPD-023	EPD-023B2AG-NTC02	2.9" Black/White ePaper IEEE802.15.4 (2.4G) device solution

- * All E Ink Panel inspection criteria refer to E Ink CAS & Inspection standard document.
- * Note: E Ink Recommend condition for storage:
Temperature: 20 +/-10 degree C
Humidity : 60% RH+-10%RH, Non-condensing
- * Note: If panel module have been put in low temperature between 0--25 degree C for a while, we recommend to leave it between 20 to 30 degree C for 4 days before assembly.

Windows development kit ordering information

	Part No.	Description
EPD device	EPD-023B2AG-NTC02	2.9" Wireless ePaper display device solution in 2.4G
Gateway	WISE-3610ZOS-41B1E	Gateway for EU
	WISE-3610ZOS-41B1J	Gateway for Japan
	WISE-3610ZOS-41B1N	Gateway for NA
	WISE-3610ZOS-41B1T	Gateway for Taiwan
	WISE-3610ZOS-41B1C	Gateway for China
ePaper manager	ARK-1123H-EP1A2 for Entry ARK-2250L-EP1A1 for Enterprise	Windows/1T HD/8G RAM and build in ePaper Manager Software with 500 device licenses

Ubuntu development kit ordering information

	Part No.	Description
EPD device	EPD-023B2AG-NTC02	2.9" Wireless ePaper display device solution in 2.4G
Router	WISE-3240IOS-41A1E	Router for EU
	WISE-3240IOS-41A1J	Router for Japan
	WISE-3240IOS-41A1N	Router for NA
	WISE-3240IOS-41A1T	Router for Taiwan
	WISE-3240IOS-41A1C	Router for China
ePaper manager	ARK-1123H-EP2A2 for Entry ARK-2250L-EP1A2 for Enterprise	Ubuntu /1T HD/8G RAM and build in ePaper Manager Software with 500 device licenses