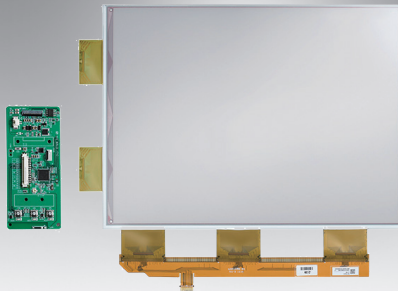


EPD-130B1

13.3" ePaper display with driving module

NEW



Features

- 13.3" E Ink® wide range, black and white ePaper display
- USB data transmission
- Wide temperature operating range from -15 °C to 65 °C with 1-bit WF
- Solution w/ CMS DeviceOn/ePaper
- Solution w/ WISE-3220 Wi-Fi router and WISE-3270 4G/LTE router
- Ready driving code with PC

Introduction

EPD-130B1 support 13.3" E Ink ePaper driving and provide USB interface for data integration. System integrator can apply the ready driving module to design different application solution.

Specifications

Display	Screen Size	285.80(W) x 213.65(H)	
	Resolution	1600 x 1200 pixels	
Storage	Internal	ITE SPI Flash: 32Mb	
I/O (on-board)	Micro USB (CN2)	USB to TCON (Timing Controller)	Interface for data to EPD
	EPD connector	39 pins	
Environment	Operational Temperature	Wide temperature operating range from -15 °C to 65 °C with 1-bit WF	
	Non-Operational Temp.	-25 °C to 70 °C	
	Assembly Temperature	10 ~ 40 °C	
	Operating Humidity	+60°C, RH = 80% Relative Humidity, non-condensing	
Physical Characteristics	Dimensions (W x H)	Panel: 285.8 x 213.65 mm PCBA: 120 mm (L) x 36 mm (W)	
	Weight	Panel: 0.12g PCBA: 0.17g	

* Package Vibration in Full packed for shipment

1.04G, Frequency: 10~500Hz Direction: X,Y,Z Duration: 1 hours in each direction;

* Package Drop Impact in Full packed for shipment

Drop from height of 53 cm on concrete surface. Drop sequence: 1 corner,3 edges,6 faces One drop for each.

* HANDLING, SAFETY AND ENVIRONMENTAL REQUIREMENTS WARNING

The display may break when it is dropped or bumped on a hard surface. Handle with care. Should the display break, do not touch the electrophoretic material. In case of contact with electrophoretic material, wash with water and soap.

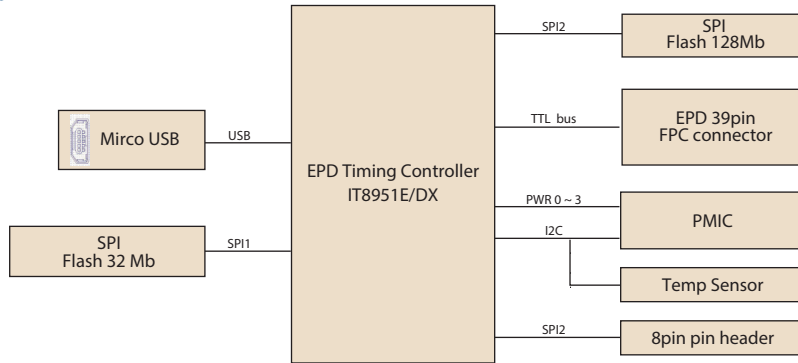
* CAUTION

The display module should not be exposed to harmful gases, such as acid and alkali gases, which corrode electronic components.

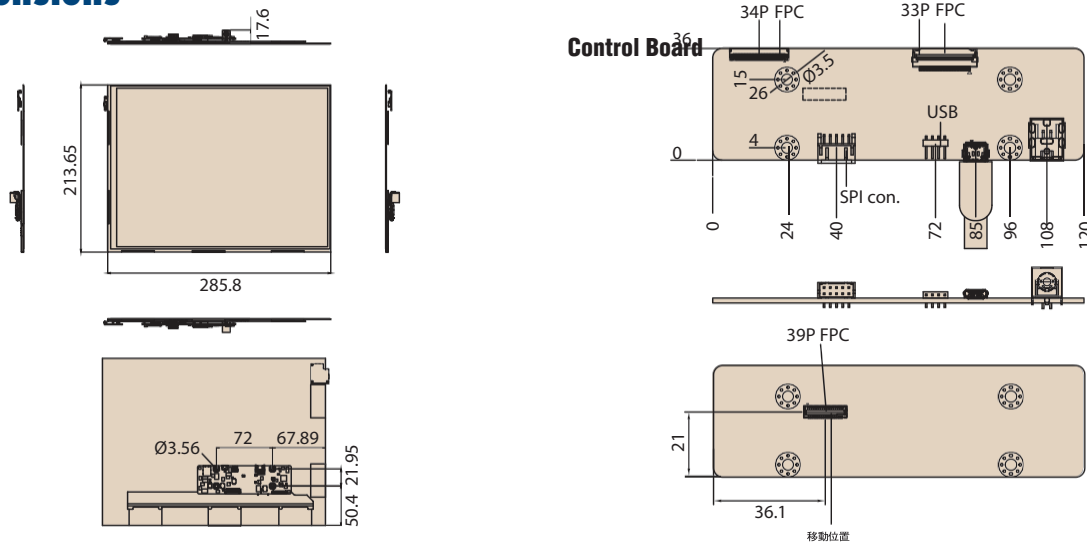
Disassembling the display module can cause permanent damage and invalidate the warranty agreements.

IPA solvent can only be applied on active area and the back of a glass. For the rest part, it is not allowed

Board Diagram



Dimensions



Ordering Information

Part No.	Description
EPD-130B1AG-NSD02	13.3" Black/White ePaper module (wide range temperature)

Optional Accessories

Part No.	Description
1700023950-01	A cable USB-A 4P(M)/1*4P-1.0 25cm

Packing List

Model Name	Part No.	Description
EPD-130B1	EPD-130B1AG-NSD02	1. 13.3" Black/White ePaper 2. ePaper Control Board

* All E Ink Panel inspection criteria refer to E Ink CAS & Inspection standard document.
 * Note: E Ink Recommend condition for storage:
 Temperature: 20 ±10 degree C
 Humidity : 60% RH±10%RH, Non-condensing
 * Note: If panel module has been put in low temperature between 0~25 degree C for a while, we recommend leaving it between 20 to 30 degree C for 4 days before assembly.