

EPD-132 Device

13.3" ePaper Wifi Display Device

NEW



Features

- ARM Cortex-M4 Core Processor
- Supports IEEE 802.11b/g/n
- 13.3" ePaper panel display: EPD-132R3 for Red/Black/White, EPD-132B3 for Black/White (16 gray level)
- Multiple Control I/O : 5 Buttons and 2 Color LED
- Supports operation temperatures of 0 ~ 40 °C (Red/Black/White), 0 ~ 50 °C (Black/White)
- High performance integrated system
- Supports over-the-air upgrade (OTA)
- Solution with WISE-3220 Wi-Fi AP & ARK ePaper Manager Server

Introduction

EPD-132B3, EPD-132R3 supports the ultra-low power 2.4GHz RF wireless protocol integrated with 13.3" R/B/W, B/W EPD in an ARM Cortex-M4 processor. The module can support hospital, factory, warehouse and retail applications. With optimized power consumption and device management, your applications with low data rate requirements will benefit from long battery lifetimes across hundreds of device connections.

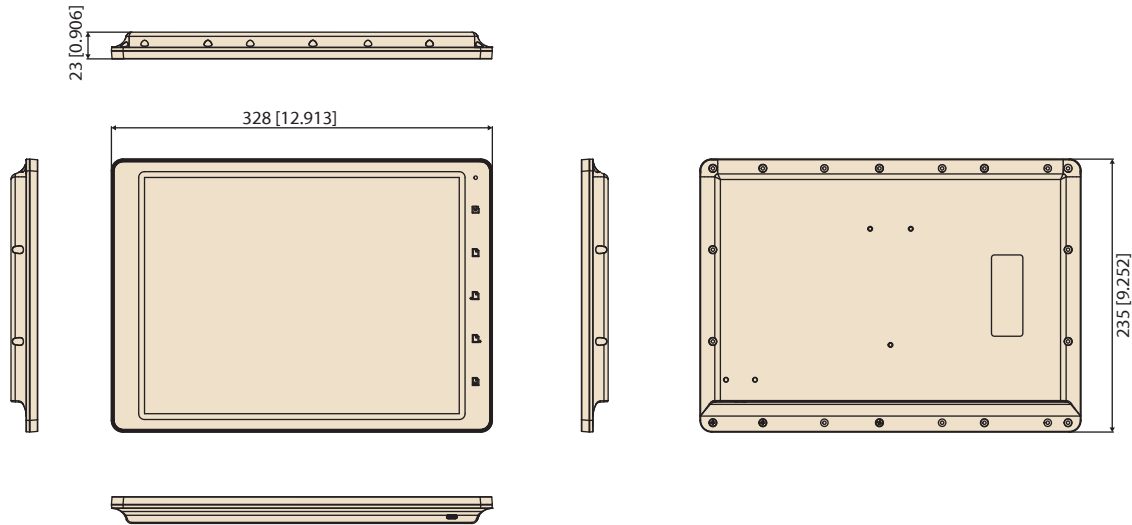
Advantech EPD-132B3, EPD-132R3 provides multiple interfaces for application control which are highly integrated with the EPD driver and offer a low power consumption system. The model supports the WIFI software stack protocol, which can easily configure and then join the network. Data can be easily acquired and transformed into a different format to communicate with the ePaper Manager Server and then for other application services. System integrators can focus on application development and system management.

Specifications

ePaper Display	Screen Size	285.8 x 213.65 mm	
	Resolution	1600 x 1200 pixels	
	Color	16 gray level or red/black/white	
Wireless Network	Standard	IEEE 802.11b/g/n	
	Frequency Band	2.4000~2.4840 GHz for Wi-Fi	
System I/O	Function Button	Reset / Wake-up	
	Page Button	P1 move to first page P2 move to previous page P3 move to next page P4 move to last page	
	LED	Green/Red	
Power		Li battery in 14100 mAh (up to 1 years, Optional)	DC-in
Environment	Operational Temperature	0 ~ 40 °C (R/B/W) , 0 ~ 50 °C (B/W)	
	Non-Operational Temp.	-25 ~ 60 °C (R/B/W) , -25 ~ 70 °C (B/W)	
	Operating Humidity	5 ~ 80% relative humidity, non-condensing	
Housing Mechanical (preliminary)	Material Type	Plastic housing with IP65 for waterproof and dustproof	
	Dimension	235 x 328 x 23 mm	
	Weight	1 KG include Battery	

Dimensions

Unit: mm [inch]



Ordering Information

Part No.	Description
EPD-132R3AG-NSD01	13.3" Red/Black/White ePaper Wi-Fi display device solution in 2.4G include battery
EPD-132B3AG-NSD01	13.3" Black/White ePaper Wi-Fi display device solution in 2.4G include battery

Packing List

Model Name	Part No.	Description
EPD-132	EPD-132B3AG-NSD01	1. 13.3" Black/White ePaper 2. ePaper Device with Battery
EPD-132	EPD-132R3AG-NSD01	1. 13.3" Red/Black/White ePaper 2. ePaper Device with Battery

* All E-ink Panel inspection criteria refer to E-ink CAS & Inspection standard document.

Development Kit Ordering Information

	Part No.	Description
EPD device	EPD-132R3AG-NSD01	13.3" Red/Black/White ePaper Wi-Fi display system device in 2.4G
	EPD-132B3AG-NSD01	13.3" Black/White ePaper Wi-Fi display system device in 2.4G
Router	WISE-3220IOS-21A1E	Wi-Fi AP and Configuration Router for EU
	WISE-3220IOS-21A1J	Wi-Fi AP and Configuration Router for JP
	WISE-3220IOS-21A1N	Wi-Fi AP and Configuration Router for NA
	WISE-3220IOS-21A1T	Wi-Fi AP and Configuration Router for TW
	WISE-3220IOS-21A1C	Wi-Fi AP and Configuration Router for China
ePaper Manager Server	ARK-1123H-EP2A2 for Entry	Ubuntu 18.4/1T HD/8G RAM and build in ePaper Manager Software with 500 device licenses
	ARK-2250L-EP1A2 for Enterprise	

* Ordering EPD-132 device, WISE-3220, and ARK ePaper Manager Server one each to try Advantech wireless EPD display solution