

EPD-662-W

13.3" Colorful ePaper Wi-Fi Display Solution

NEW



Features

- ARM Cortex-M4 Core Processor
- Supports IEEE 802.11b/g/n
- 13.3" ePaper panel display: EPD-662-W for colorful ePaper
- Supports wide operating temperature: EPD-662-W: 0 ~50 °C
- High performance integrated system
- Supports upgrade over-the-air (OTA)
- Support APP WiFi connector to connect device to server. Solution with WISE-3220 WiFi AP and ARK DeviceOn/ePaper

Introduction

Advantech EPD-660 and EPD-662 ePaper solutions support 2.4GHz RF wireless protocols integrated within a 13.3" display solution with ARM Cortex-M4 processor. EPD-660 and EPD-662 support optimized power consumption and device management, delivering long battery lifetimes and a 2.4GHz Wi-Fi solution adaptable to diverse applications. These solutions offer multiple buttons and indicators for application control, and are integrated with RESTful APIs for DeviceOn/ePaper. They also support system integrator, yielding an effective, powerful solution.

Specifications

ePaper Display	Screen Size	285 x 213 mm; 13.3"	
	Resolution	1600x1200 pixels	
	Color	Colorful ePaper	
Storage	Memory	1 MB Flash memory	
	External flash	SPI Flash 32MB	
Wireless Network	Standard	IEEE 802.11b/g/n	
	Frequency Band	2.4000~2.4840 GHz for Wi-Fi and BLE	
Antenna	WLAN	IEEE 802.11b/g/n PCB Ant 2.4GHz WiFi with MHF Gain 4.2 dBi. WALSIN: RFPCA400817IMAB301	
	Bluetooth	BT4.1 PCB Ant 2.4GHz BLE with MHF Gain 4.2 dBi. WALSIN: RFPCA400817IMAB301	
Power		Power Package Specification: 8233mAh/5V	DC-in
Environment	Operational Temperature	0 ~ 50 °C; 32 ~ 122 °F (colorful ePaper)	
	Non-Operational Temp.	-25 ~ 60 °C; -13 ~ 140 °F (colorful ePaper)	
	Operating Humidity	80% relative humidity, non-condensing	
Housing Mechanical (preliminary)	Dimension	235 x 328 x 23 mm; 9.25 x 12.9 x .9 in	
EMC		CE/FCC/NCC/Telec	

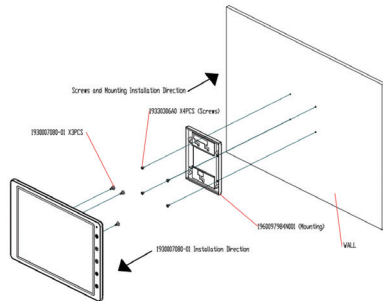
Note:

- The channel frequency selection can be supported by further plan.
- EPD Data Report and Wakeup behavior duration can be adjusted by different scenario from RESTful API
- System bundles wireless modules; which need RED compliance

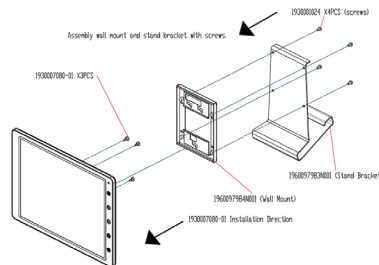
Dimensions

Bracket

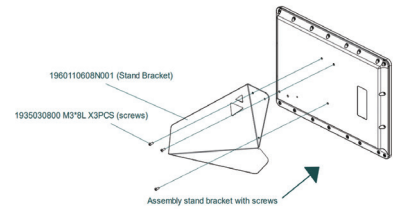
EPD-660-BK1



EPD-660-BK2



EPD-660-BK3



Ordering Information

Model Name	Part Number	Description
EPD-662-W	EPD-662-W1001	13.3" Spectra 6 colorful ePaper w/o battery, w/o button, front IP54

Development Kit Ordering Information

	Part No.	Description
EPD device	EPD-662-W	EPD-662-W1001: 13.3" Spectra 6 colorful ePaper w/o battery, w/o button, front IP54
Router	WISE-3220IOS-21A1E	Wi-Fi AP and configuration router for EU
	WISE-3220IOS-21A1J	Wi-Fi AP and configuration router for JP
	WISE-3220IOS-21A1N	Wi-Fi AP and configuration router for NA
	WISE-3220IOS-21A1T	Wi-Fi AP and configuration router for TW
	WISE-3220IOS-21A1C	Wi-Fi AP and configuration router for China
ePaper Manager Server	ARK-1123H-EP2A2 for entry-level use	Ubuntu 18.4/128G SSD/8G RAM and build in ePaper Manager Software with 100 device licenses
	ARK-2250L-EP1A2 for enterprises	Ubuntu 18.4/1T HD/16G RAM and build in ePaper Manager Software with 500 device licenses

* Ordering EPD device, WISE-3220, and ARK ePaper Manager Server one each to try Advantech wireless EPD display solution

Packing List

Before installing ePaper device system, please check the items that listed as below are in good condition. If there are any items which are not consistent with your goods, please contact with your dealer immediately.

EPD-660, EPD-662 EPD device

Model Name	Part Number	Description
EPD-662-W	EPD-662-W1001	1. 13.3" Spectra 6 colorful ePaper w/o battery, w/o button, front IP54 2. Type-C connector cable 100 cm (3.2 ft)

* All Eink Panel inspection criteria refer to Eink CAS & Inspection standard document.

Optional Accessories

Model Name	Description
PSA-A45WM-U	ADP A/D 100-240V 45W 5/9/12/15/20V US Plug
EPD-660-BK1	EPD-660.662 wall mount kit
EPD-660-BK2	EPD-660.662 stand bracket kit
EPD-660-BK3	EPD-660.662 wall mount kit_ID
1960099319N001	Type C plug bracket
1930005541	Screw for type-C bracket
1960108046N002	EPD-660.662 wall mount bracket