

EPD-662-W

13.3" Colorful ePaper Wi-Fi Display Solution

NEW



Features

- ARM Cortex-M4 Core Processor
- Supports IEEE 802.11b/g/n
- 13.3" ePaper panel display: EPD-662-W for colorful ePaper
- Supports wide operating temperature: EPD-662-W: 0 ~50 °C
- High performance integrated system
- Supports upgrade over-the-air (OTA)
- Support APP WiFi connector to connect device to server. Solution with WISE-3220 WiFi AP and ARK DeviceOn/ePaper

Introduction

Advantech EPD-660 and EPD-662 ePaper solutions support 2.4GHz RF wireless protocols integrated within a 13.3" display solution with ARM Cortex-M4 processor. EPD-660 and EPD-662 support optimized power consumption and device management, delivering long battery lifetimes and a 2.4GHz Wi-Fi solution adaptable to diverse applications. These solutions offer multiple buttons and indicators for application control, and are integrated with RESTful APIs for DeviceOn/ePaper. They also support system integrator, yielding an effective, powerful solution.

Specifications

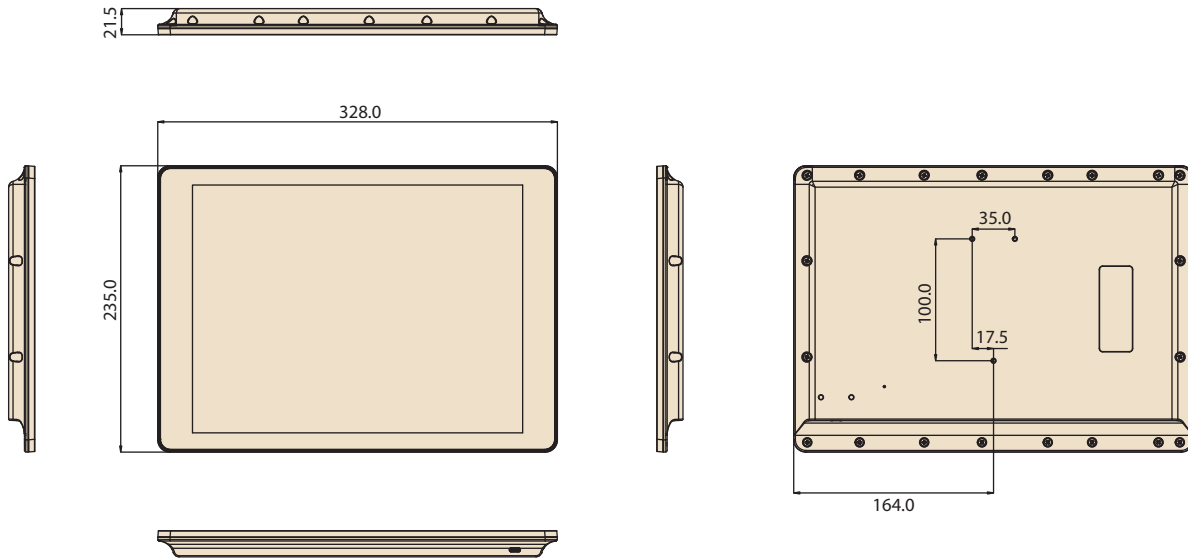
ePaper Display	Screen Size	208.8 x 284.7mm; 13.3"	
	Resolution	1600x1200 pixels	
	Color	Colorful ePaper	
Storage	Memory	1 MB Flash memory	
	External flash	SPI Flash 128Mb	
Wireless Network	Standard	IEEE 802.11b/g/n	
	Frequency Band	2.4000~2.4840 GHz for Wi-Fi and BLE	
Antenna	WLAN	IEEE 802.11b/g/n PCB Ant 2.4GHz WiFi with MHF Gain 4.2 dBi. WALSIN: RFPCA400817IMAB301	
	Bluetooth	BT4.1 PCB Ant 2.4GHz BLE with MHF Gain 4.2 dBi. WALSIN: RFPCA400817IMAB301	
Power		Power Package Specification: 8233mAh/5V	DC-in
Environment	Operational Temperature	EPD-662-W w/o battery: 0 ~ 50°C; 32 ~ 122°F EPD-662-W w/ battery: 0 ~ 40°C; 32 ~ 104°F	
	Non-Operational Temp.	EPD-662-W w/o battery: -25 ~ 60 °C; -13 ~ 140 °F EPD-662-W w/ battery: -20 ~ 50 °C; -4° ~ 122 °F	
	Battery Charge temp.	10~40°C	
	Operating Humidity	80% relative humidity, non-condensing	
Physical Characteristics	Dimension	235 x 328 x 21.5 mm; 9.25 x 12.9 x 0.846 in	
	Weight	1.04kg with battery 0.735kg without battery	
	Mounting	Wall mount and stand	
EMC		NCC/FCC	

Note:

- The channel frequency selection can be supported by further plan.
- EPD Data Report and Wakeup behavior duration can be adjusted by different scenario from RESTful API
- System bundles wireless modules; which need RED compliance

Dimensions

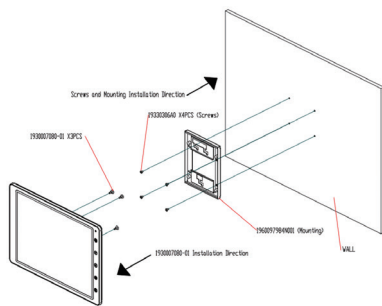
Unit: mm



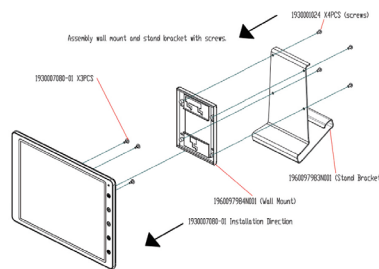
Dimensions

Bracket

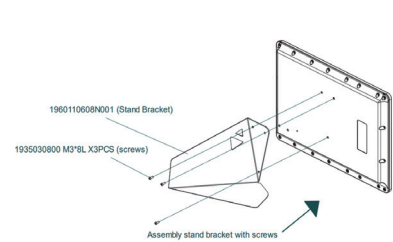
EPD-660-BK1



EPD-660-BK2



EPD-660-BK3



Ordering Information

Model Name	Part Number	Description
EPD-662-W	EPD-662-W1001	13.3" spectra 6 WiFi w/o battery w/o button
EPD-662-W	EPD-662-W1011	13.3" spectra 6 WiFi w/ battery w/o button

Development Kit Ordering Information

	Part No.	Description
EPD device	EPD-662-W	EPD-662-W1001: 13.3" spectra 6 WiFi w/o battery w/o button EPD-662-W1011: 13.3" spectra 6 WiFi w/ battery w/o button
Router	WISE-3220IOS-21A1E	Wi-Fi AP and configuration router for EU
	WISE-3220IOS-21A1J	Wi-Fi AP and configuration router for JP
	WISE-3220IOS-21A1N	Wi-Fi AP and configuration router for NA
	WISE-3220IOS-21A1T	Wi-Fi AP and configuration router for TW
	WISE-3220IOS-21A1C	Wi-Fi AP and configuration router for China
ePaper Manager Server	ARK-1221L-EP1A1	Ubuntu 20.04/16G RAM/128G SSD, ADP, DeviceOn/ePaper with 100 device licenses

* Ordering EPD device, WISE-3220, and ARK ePaper Manager Server one each to try Advantech wireless EPD display solution

Packing List

Before installing ePaper device system, please check the items that listed as below are in good condition. If there are any items which are not consistent with your goods, please contact with your dealer immediately.

EPD-660, EPD-662 EPD device

Model Name	Part Number	Description
EPD-662-W	EPD-662-W1001	1. 13.3" spectra 6 WiFi w/o battery w/o button 2. Type-C connector cable 100 cm (3.2 ft)
EPD-662-W	EPD-662-W1011	1. 13.3" spectra 6 WiFi w/ battery w/o button 2. Type-C connector cable 100 cm (3.2 ft)

* All Eink Panel inspection criteria refer to Eink CAS & Inspection standard document.

Optional Accessories

Model Name	Description
96PSA-A45WPDUCF	ADP A/D 100-240V 45W 5/9/12/15/20V PD USB-C
EPD-660-BK1	EPD-660.662 wall mount kit
EPD-660-BK2	EPD-660.662 stand bracket kit
EPD-660-BK3	EPD-660.662 wall mount kit_ID
1960099319N001	Type C plug bracket
1930005541	Screw for type-C bracket
1960108046N002	EPD-660.662 wall mount bracket
1700001524	Power Cord UL 3P 7A 125V 183cm