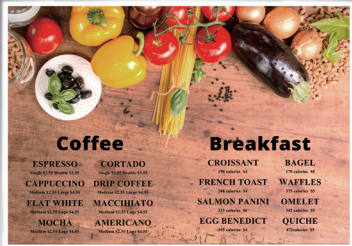


EPM-288

28.5" ePaper Open Frame System



Features

- E Ink Spectra™ 6 Bi-Stable technology
- No power needed during displaying
- Resolution 3,060 x2,160 pixel, 131dpi, A2
- Dimension: 624.9 x 441.8 x H28.25 mm
- Supported Temperature Range: 0 ~ 50 °C
- Supports three image update methods:
 1. Full Functions in CMS DeviceOn/ePaper (Ubuntu): Converts data into images and delivers them automatically.
 2. Dispatcher (Windows): Sends images directly to the EPD.
 3. USB Drive: Insert a USB with images for automatic carousel display.
- Front frame waterproof rating: IPX2

Introduction

The Advantech EPM-288 can support hospital, factory, smart city and retail applications; and features optimized power consumption and device management. In addition, application layers can acquire data easily and communicate with ePaper devices through an DeviceOn/ePaper server. This EPD total solutions enables SI to focus on application development.

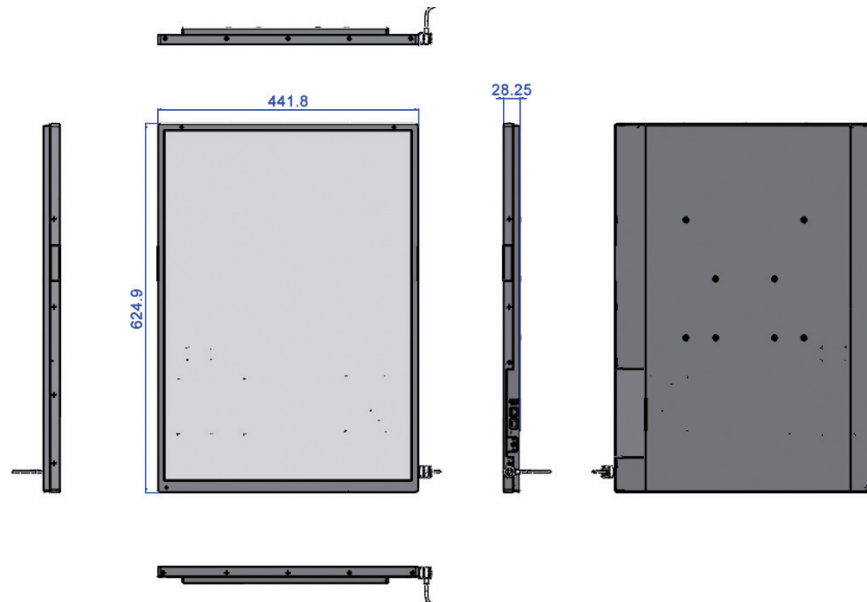
Specifications

E Ink panel	Display	E Ink Spectra™ 6 Color
	Resolution	3,060 x2,160, 131 ppi
	Active Area	593.2 x 418.7 mm A2
	Pixel Pitch	0.194(H) x 0.194(V)
OS	Linux kernel 4.4.6, OpenWrt GCC 4.8.3	
SoC, CPU	MIPS QCA 4531 650 MHz Processor	
Memory	DDR2 128MB	
Storage	SPI flash: 16MB Boot code & 128MB OpenWRT	
Terminal	USB	
Wireless	IEEE 802.11 b/g/n , WAN/LAN 100/10	
LED	Yellow / green	
Indicator	Yes, power on –green , connected with host –yellow	
Kensington lock	Support	
VESA Mount hole	VESA 4 100x100mm w/o M4 screw	
Power	12V / 3A	
RTC Battery	Yes	
Environmental Conditions	Operating Temperature	0~50°C
	Rewrite Temperature	0~50°C
	Operating Humidity	80% Relative Humidity, Non-condensing
Storage environment	Temperature	-20~60°C
	Humidity	80% RH (no condensation)
Dimensions (W x H x D)	624.9 x 441.8 x H28.25 mm	
Weight	Net weight: 3.1kg Gross weight: 4.8kg Front frame waterproof rating: IPX2	
Included Accessories	AC adapter	YES
Compatible Standards	EMC, FCC / NCC	
Application software	1. DeviceOn/ePaper for Wi-Fi / Ethernet 2. Dispatcher for Wi-Fi / Ethernet 3. Local storage via USB	
Shipping Package	size	Carton 715Lx150Wx570Hmm(l)
	Env.	Vibration 5-500 Hz, 0.026G2 /Hz, 2.16Grms, X, Y, Z, 1 hour per axis

Note: The theoretical throughput of 802.11n on device is 180Mbps

Dimensions

Unit: mm



Ordering Information

Model Name	Part No.	Description
EPM-288	EPM-288-W1D001	28.5" ePaper open frame system design with 2.4G Wi-Fi, WAN/LAN and USB in black metal
EPM-288	EPM-288-C1D001	28.5" ePaper open frame system design with WAN/LAN and USB in black metal
EPM-288	EPM-288-W1D002	28.5" ePaper open frame system design with 2.4G Wi-Fi, WAN/LAN and USB in white metal
EPM-288	EPM-288-C1D002	28.5" ePaper open frame system design with WAN/LAN and USB in white metal

Optional Items

Part No.	Description
1700001524	Power Cable 3-pin 180cm, USA type
170203183C	Power Cable 3-pin 180cm, Europe type
170203180A	Power Cable 3-pin 180cm, UK type
1700008921	Power Cable 3-pin PSE Mark 183cm
1700024849-01	Power Cord BSMI 3P 2.5A 125V 180CM

Development Kit Ordering Information

Part No.	Description
WISE-3220IOS-21A1T	Wireless EPD 2.4G WiFi Network IoT Router
ARK-1221L-EP1A1	ePaper Manager Server: Ubuntu 20.04/16G RAM/128G SSD, ADP, DeviceOn/ePaper with 100 device licenses
32WSWPEPD500A0	ePaper connection license 500pcs