

# ESRP-CMS-UNO1372GH

## ThinManager Ready Explosion-Proof DIN-Rail Thin Client with Intel® Atom™ E3845



### Features

- Verified with ThinManager, ThinManager BIOS enabled
- 4th Generation Intel® Celeron® J1900 Processor 2.42 GHz with 4GB DDR3L Memory
- UL listed for Hazardous Locations: Class I, Division 2
- Dual Power Input for Avoiding Power Down Time
- 2 x simultaneous, independent multi-monitor video ports: 1 x VGA, 1 x HDMI

### Introduction

Advantech ThinManager compatible industrial thin clients exclusively integrate with ThinManager® software and are verified for ThinManager distributed applications. The thin clients are used to display content delivered from a remote ThinManager server. Multiple thin clients set up across the plant or facility with various roles and all maintained by the ThinManager server. All content remains on the server so downtime is reduced in the event of a failure. ESRP-CMS-UNO1372GH is ThinManager Ready Explosion-Proof DIN-Rail Thin Client with Intel® Atom™ E3845 and dual displays (HDMI\*1, VGA\*1). Also, it is UL listed for Hazardous Locations with Class I, Division 2, groups A, B, C, D T4A certification to be safely operated in the hazardous location where the devices are under potential danger from flammable gases, combustible dust or ignitable fibers and explosions.

### Specifications

#### General

- **Certification** CE, FCC, UL, CCC, BSMI  
Class I, Division 2, Groups A,B,C,D, Hazardous Location, Temperature code: T4A, Ambient Temperature Range: -20°C ~ 60°C
- **Dimensions (W x D x H)** 85 x 139 x 152 mm (3.3" x 5.5" x 6.0")
- **Form Factor** Small Size
- **Enclosure** Aluminum Housing
- **Mounting** DIN-rail, Wallmount
- **Weight (Net)** 1.6kg (3.5lbs)
- **Power Requirement** 9~36Vdc (Recommend 12/24 Vdc)
- **Power Consumption** 24W (Typical), 50W (Max)

#### System Hardware

- **BIOS** ThinManager BIOS enabled
- **Watchdog Timer** Programmable 255 levels timer interval, from 1 to 255 sec
- **Processor** Intel Atom E3845 1.91GHz, 2MB L2 Cache
- **System Chip** Integrated Intel SoC Chipset
- **Memory** Built-in 4GB DDR3L 1333 MHz (Up to 8GB)
- **Graphics Engine** Intel® HD Graphics
- **Ethernet** LAN A, B: Intel® i210-IT GbE, 802.1Qav, 802.1AS, 802.3az  
LAN C: Realtek RTL8111E GbE
- **LED Indicators** LEDs for Power, battery, LAN (Active, Status), COM (Tx/Rx), HDD and Programmable LED  
1 x mSATA

#### I/O Interfaces

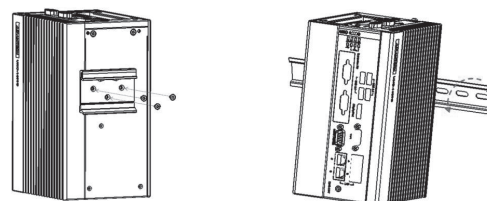
- **Serial Ports** 1 x RS-232, DB9, 50~115.2kbps  
1 x RS-422/485, DB9, auto flow control, 50~115.2kbps
- **LAN Ports** 3 x RJ45, 10/100/1000 Mbps IEEE 802.3u 1000BASE-T Fast Ethernet
- **USB Ports** 3 x USB Ports (2 x USB2.0, 1 x USB 3.0)
- **Isolated DIO** 4-ch digital input, 4-ch digital output (2500 Vdc)
- **Displays** 1 x VGA, supports 1920 x 1080 @ 60Hz 24bpp  
1 x HDMI 1.4a, supports 1920 x 1080 @ 60Hz 24bpp
- **Audio** Line-Out
- **Power Connector** 1 x 4 Pins, Terminal Block to support dual power input

#### Environment

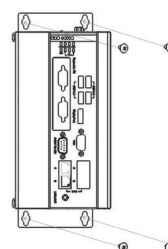
- **Operating Temperature** -20 ~ 60°C (-4 ~ 140°F) @ 5 ~ 85% RH with 0.7m/s airflow (Industry SSD)
- **Storage Temperature** -40 ~ 85°C (-40 ~ 185°F)
- **Relative Humidity** 95% RH @ 40°C, non-condensing
- **Shock Protection** Operating, IEC 60068-2-27, 50G, half sine, 11ms
- **Vibration Protection** Operating, IEC 60068-2-64, 5Grms, random, 5 ~ 500Hz, 1 hr/axis
- **Ingress Protection** IP40

### Installation Scenario

#### DIN-rail mounting illustration

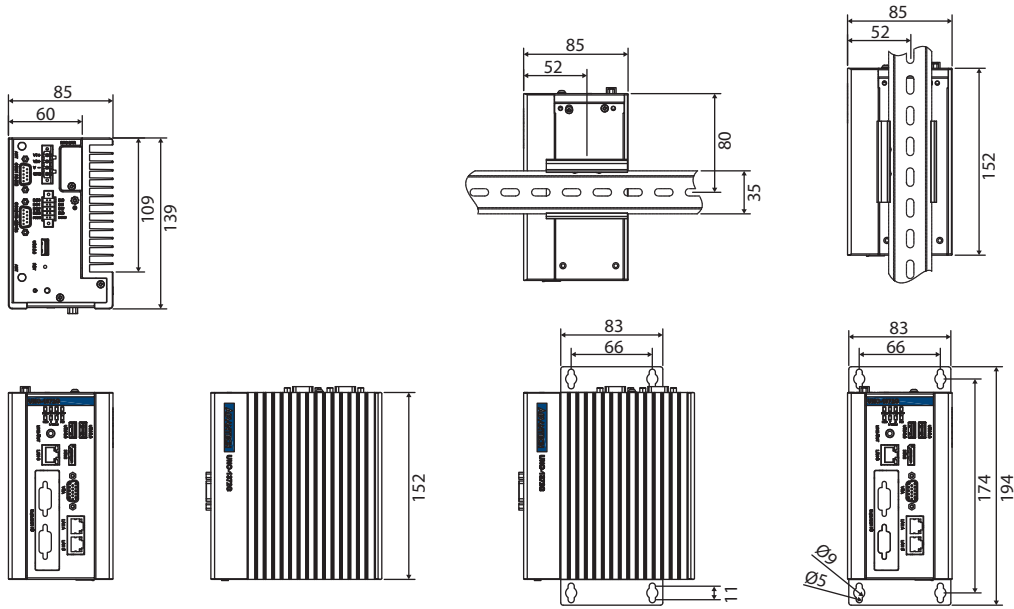


#### Wall mounting illustration

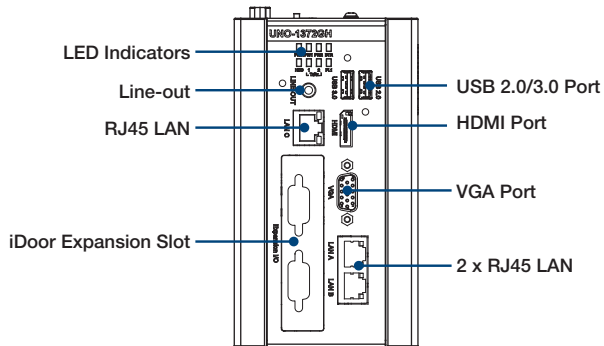


## Dimensions

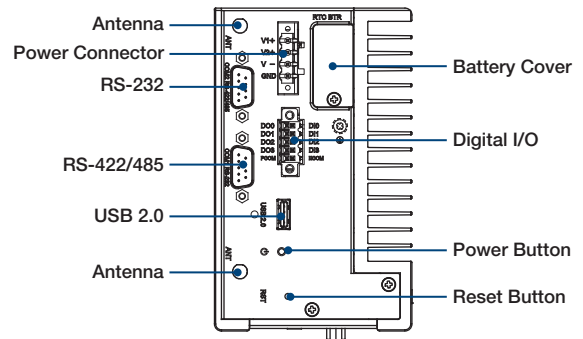
Unit: mm



## Front I/O View



## Top I/O View



## Ordering Information

- **ESRP-CMS-UNO1372GH** ThinManager Ready Explosion-Proof DIN-Rail Thin Client with Intel® Atom™ E3845

## Optional Accessories

- **PWR-247-CE** ADP A/D 100-240V 60W 24V (Commercial Grade)
- **1702002600** Power Cable US Plug 1.8 M (Industrial Grade)
- **1702002605** Power Cable EU Plug 1.8 M (Industrial Grade)
- **1702031801** Power Cable UK Plug 1.8 M (Industrial Grade)
- **1700000596** Power Cable China/Australia Plug 1.8 M (Industrial Grade)
- **UNO-IPS2460-AE** 24 V<sub>DC</sub>/ 60 Watts DIN-Rail Power Supply