

# ESRP-CMS-UNO2271

## ThinManager Ready Pocket-Size Edge IoT Thin Client with Intel® Atom™ E3825



### Features

- Verified with ThinManager, ThinManager BIOS enabled
- Industrial design with higher reliability
- 2 x GbE, 3 x USB 2.0, 1 x USB 3.0, 1 x HDMI
- Compact fanless design in pocket size (3.9" x 2.8" x 2.6")
- Support multiple mounting
- Chassis grounding protection
- Two independent LANs support Ethernet redundancy allowing the terminal to activate and switch to the backup port in a seamless fashion

### Introduction

Advantech ThinManager compatible industrial thin clients exclusively integrate with ThinManager® software and are verified for ThinManager distributed applications. The thin clients are used to display content delivered from a remote ThinManager server. Multiple thin clients set up across the plant or facility with various roles and all maintained by the ThinManager server. All content remains on the server so downtime is reduced in the event of a failure. ESRP-CMS-UNO2271 is ThinManager Ready Pocket-Size Edge IoT Thin Client with Intel® Atom™ E3825 and single display (HDMI \*1, USB 3.2 Gen1\*2).

### Specifications

#### General

- **Certification** CE, FCC, UL, CCC, BSMI
- **Dimensions (W x D x H)** 100 x 70 x 65 mm (3.9" x 2.8" x 2.6")
- **Form Factor** Pocket Size, same dimension as standard 2.5" SSD/HDD
- **Enclosure** Aluminum Housing
- **Mounting** Stand, Wall, VESA (Optional), DIN-rail (Optional), Pole (Optional)
- **Weight (Net)** 0.6 kg (1.2lbs)
- **Power Requirement** 10 ~ 30V<sub>DC</sub>
- **Power Consumption** 12W (Typical), 20W (Max)

#### System Hardware

- **BIOS** ThinManager BIOS enabled
- **Processor** Intel Atom E3815 1.46GHz
- **System Chip** Intel Atom SoC integrated
- **Memory** Onboard 4GB DDR3L 1066 MHz
- **Graphics Engine** Intel® HD Graphics
- **Ethernet** Realtek RTL8111E GbE, 802.10av
- **LED Indicators** LEDs for Power, LAN (Active, Status)

#### I/O Interfaces

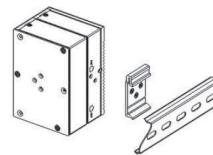
- **LAN Ports** 2 x RJ45, 10/100/1000 Mbps IEEE 802.3u 1000Base-T Fast Ethernet
- **USB Ports** 3 x USB 2.0 and 1 x USB 3.0
- **Displays** 1 x HDMI, supports 1920 x 1080 @ 60Hz
- **Power Connector** 1 x 2 pins, terminal block
- **Grounding Protection** Chassis grounding

#### Environment

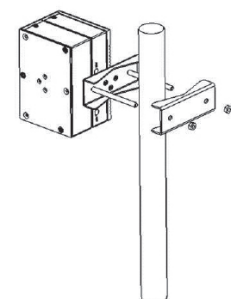
- **Operating Temperature** 0 ~ 50°C (32 ~ 122°F) @ 5 ~ 85% RH with 0.7 m/s airflow
- **Storage Temperature** - 20 ~ 70°C (-4 ~ 158°F)
- **Relative Humidity** 10 ~ 95% RH @ 40°C, non-condensing
- **Shock Protection** Operating, IEC 60068-2-27, 50G, half sine, 11 ms
- **Vibration Protection** Operating, IEC 60068-2-64, 2 Grms, random, 5 ~ 500 Hz, 1hr/axis
- **Ingress Protection** IP30

### Installation Scenario

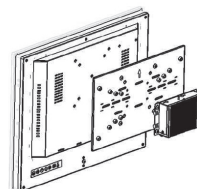
#### DIN-Rail Mount Illustration



#### Pole Mount Illustration

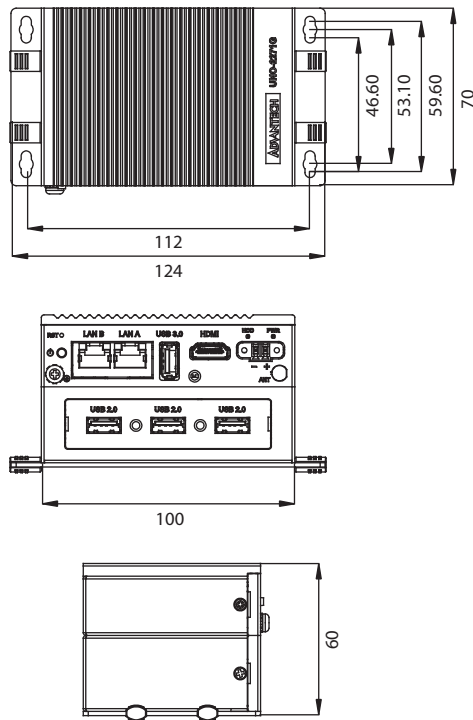


#### VESA Mount Illustration



## Dimensions

Unit: mm



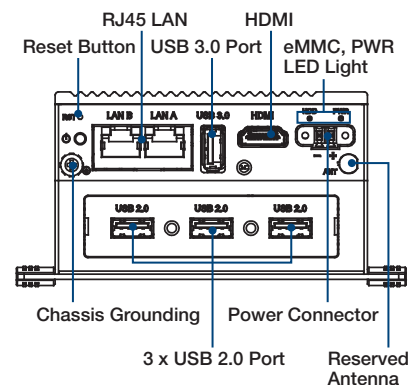
## Ordering Information

- **ESRP-CMS-UNO2271** ThinManager Ready Pocket-Size Edge IoT Thin Client with Intel® Atom™ E3825

## Optional Accessories

- **96PSA-A60W24T2** 100-240V 60W 24V 2.5A Power Adapter (Industrial Grade)
- **1702002600** Power Cable US Plug 1.8 M (Industrial Grade)
- **1702002605** Power Cable EU Plug 1.8 M (Industrial Grade)
- **1702031801** Power Cable UK Plug 1.8 M (Industrial Grade)
- **1700000596** Power Cable China/Australia Plug 1.8 M (Industrial Grade)
- **UNO-2271G-DMKAE** UNO-2271G DIN RAIL Kit
- **UNO-2000G-VMKAE** UNO-2000 VESA Mount Kit
- **UNO-2000G-PMKAE** UNO-2000 Pole Mount Kit

## Front I/O View



## Monitor Cabling Accessories

### \*Available in America

- **XACP-10DP-DPHM-10** DisplayPort to HDMI Cable, 10ft
- **XACP-10DP-DPDVI-10** DisplayPort to DVI Cable, 10ft
- **XACP-10HM-15128-03** HDMI to DVI Cable, 10ft
- **XACP-10DP-DPDP-10** DisplayPort to DisplayPort Cable, 10ft
- **XACP-10HM-128V4-10** HDMI to HDMI Cable, 10ft