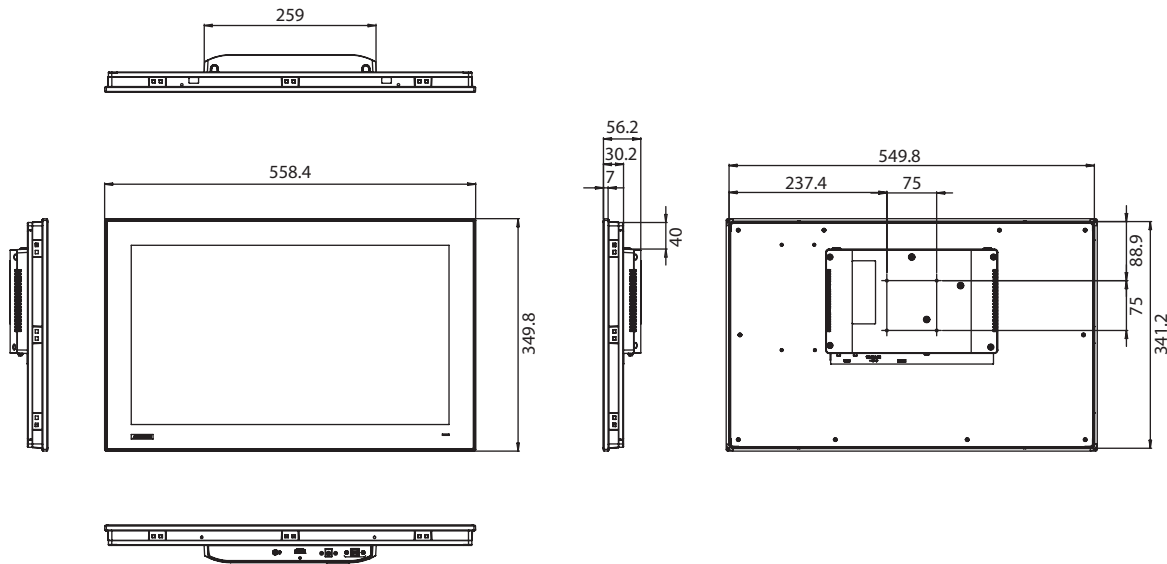


Dimensions

Unit: mm

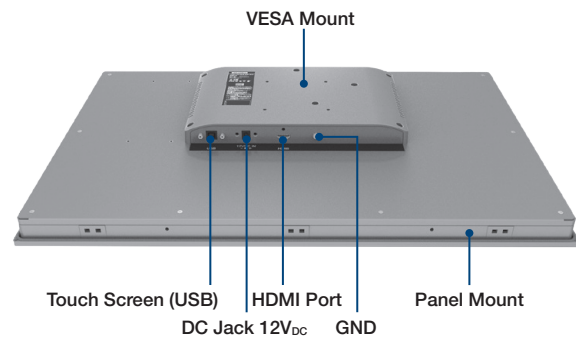


Cut-out Dimensions: 550.30 x 341.8 mm (21.67 x 13.46 in)

Front View



Rear View



Packing list

Item	Part No.	Description	Qty
Adapter	96PSA-A60W12V1-4	ADP A/D 100-240V 60W 12V C14 DC PLUG 180°	1
USB touch Cable	1700017851-01	M Cable USB-A 4P(M)/USB-B 4P(M) 169CM (BK)	1
HDMI Cable	1700026930-01	M CABLE HDMI 19P(M)/HDMI 19P(M) 2M PCM-2901	1
Clamper	1960064704T000	Clamper for PPC-3120	12
Clamper screw	1930005598	Screw SP/S M6*21L D=9 H=2+ ST BZn	12
Cable lock for adapter	1960098895N001	Plug bracket(UNO silver) for FPM-200 series	1
Cable lock for adapter	1930001074	Screw M3x5L R/S D=5.5 H=2 (2+) ST Ni NK	2
Cable lock for HDMI	1990022422S000	Fixed rail 71.3Lx6.2W mm YJC-64C for UBC-DS31	1
Cable lock for HDMI	1990022423S000	Fixed ring DIA:7.5-8.5 FWM-8K for UBC-DS31	1