

FWA-1081

Tabletop Network Appliance with AMD Ryzen™ V3000 Processors



Features

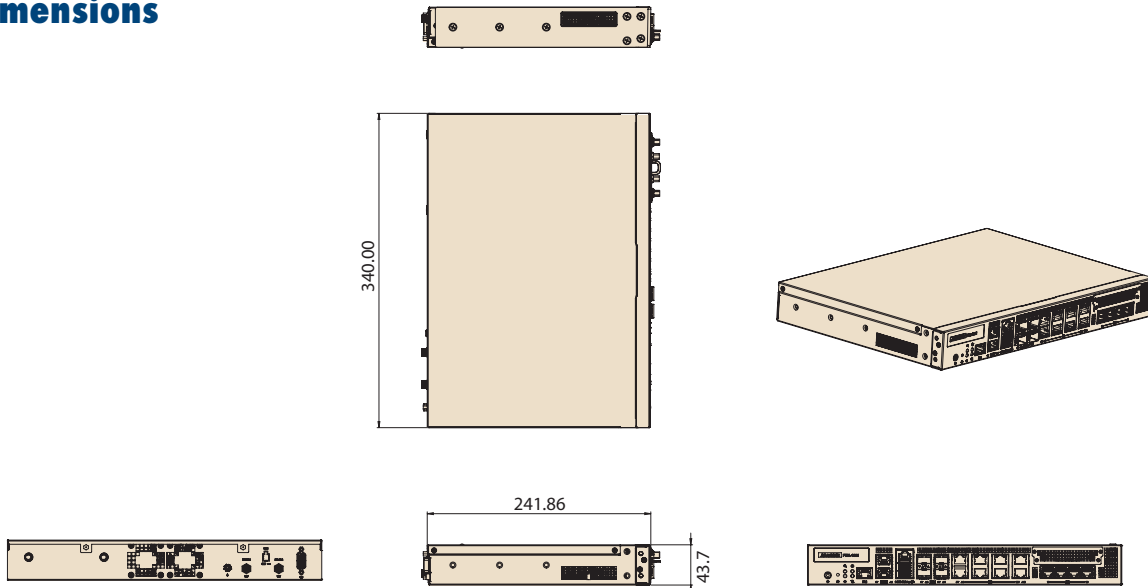
- Ideal compact size for mainstream SMB (Small to Medium Businesses) office deployment
- Features up to 8 cores/16 threads with single AMD Ryzen™ V3000 Processors for robust performance
- Supports up to 2 x DDR5 SODIMM modules to enhance computing capability
- Offers multiple Ethernet interfaces: 10GbE, 2.5GbE, and 1GbE for versatile connectivity options
- Easily upgradable with 5G/4G LTE wireless connectivity for remote and mobile applications
- Remote system management via Advantech IPMI 2.0 with Redfish support, including capabilities for remote firmware upgrades and system firmware backup

Specifications

		FWA-1081L-4CA1S	FWA-1081F-8CA1S
System P/N		FWA-1081L-4CA1S	FWA-1081F-8CA1S
Form Factor		Tabletop	
Processor System	Processor	AMD Ryzen™ V3C44	AMD Ryzen™ V3C48
	Core Count	4	8
	Base Frequency	3.5 GHz	3.3 GHz
	BIOS	AMI UEFI	
Memory	Technology	DDR5	
	Max. Capacity	64GB	
	Socket	2 x 262-pin DIMM	
	ECC Support	ECC/Non-ECC SODIMM	
Networking	Controller	2 x 10GbE SFP+ (via SoC) 8 x 1GbE RJ45 (via i350) 2 x 2.5GbE RJ45 for MGMT (via i226)	2 x 10GbE SFP+ (via X710) 2 x 10GbE SFP+ (via SoC) 12 x 1GbE RJ45 (via i350, with 2 pairs of LAN bypass) 2 x 2.5GbE RJ45 for MGMT (via i226)
	1GbE	8 x 1GbE RJ45	12 x 1GbE RJ45
	2.5GbE	2 x 2.5GbE RJ45	2 x 2.5GbE RJ45
	10GbE	2 x 10GbE SFP+	4 x 10GbE SFP+
	LAN Bypass	N/A	Two pair of LAN bypass
Expansion	M.2 (Except SSD)	1 x M.2 2230 E-Key for WiFi module (Optional) 1 x M.2 3042/3052 B-key for 4G/5G LTE module with 2 x antenna holes(Optional)	
IPMI		IPMI 2.0 and Redfish compliant 1 x dedicated 1GbE LAN for IPMI port	
Storage	M.2 (SSD)	2 x M.2 2280 M-key for SATA 3.0 SSD	
I/O	Console	1 x RJ45 type console	
	USB	2 x USB 3.0 ports	
	LED Indicator	1 x SW-defined LED (Amber/Green) 1 x Alert LED by IPMI (Amber) 1 x ID LED by IPMI (Blue)	
	Video	1 x VGA port	
	Button	1 x Power button with LED indication (Green) 1 x SW-defined button	
	Others	1 x RJ45 type console	
TPM		Support by TPM 2.0 module (Optional)	
Power Supply	Power Type	External power adapter (Optional for dual adapters)	
	Watts	150 W	
	Input	100-240 V ~ 2.5A 50-60 Hz	
	Connector	AC 3pin plug	
Environment	Operating Temperature	0~40 °C (32~104 °F)	
	Non-operating Temperature	-40 ~ 70 °C (-40 ~ 158 °F), 60 °C@95% non-condensing humidity	
	Vibration Resistance (Operation)	5-500 Hz, 0.3 Grms, 3 axes, 1 hr/per axis	
	Shock Protection (Operation)	10 G, 11 ms	
Cooling		2 x System fans with smart fan feature	
Mechanical	Metallic Material	SGCC	
	Mounting	Optional rackmount kit	
	Dimensions (W x H x D)	340 x 241.86 x 43.7mm (13.39" x 9.52" x 1.72")	
	Weight (G.W.)	3.5 kg (7.7 lb)	
OS Support		Linux OS Only UEFI FW and UEFI aware Linux OS	
Advantech S/W Packages		ALBPCU APOECU ipmitool Server iManager (Linux base) -Health Guard -Diagnostic Framework -Network device identifier (NDI)	
Certification	EMC/Safety	CE, FCC, CB, UL, CCC	

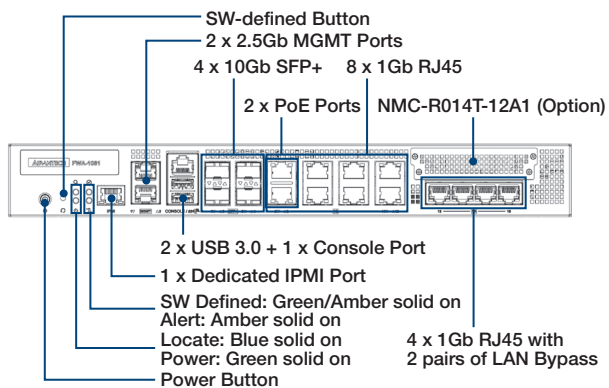
Dimensions

Unit: mm

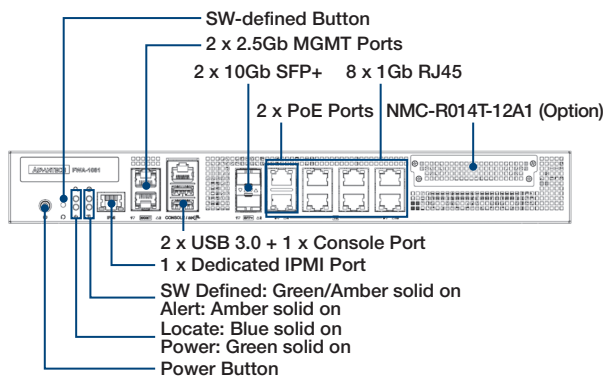


Front Panel External I/O Mechanical Layout/Drawing

FWA-1081F-8CA1S

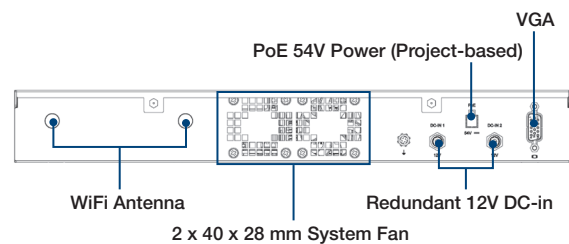


FWA-1081L-4CA1S

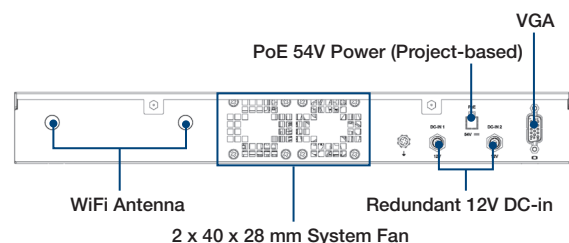


Rear Panel External I/O Mechanical Layout/Drawing

FWA-1081F-8CA1S



FWA-1081L-4CA1S



Ordering Information

Part Number	Processor	DDR5	Storage Bay	USB3.0	IPMI Port	Console Port	LAN Port			System Fan	PSU	POE
							1G RJ45	2.5G RJ45	10G SFP+			
FWA-1081F-8CA1S	AMD Ryzen™ V3C48 processors	2	2	2	1	1	12	2	4	2	1	Optional
FWA-1081L-4CA1S	AMD Ryzen™ V3C44 processors	2	2	2	1	1	8	2	2	2	1	Optional

Packing List

Part Number	Description	Quantity
1990001690	Cable tie 142L*3.6W BLACK GT-140IB	3
1990004250	Rubber black 10x2t RF10-2 w/double adhe	4
96PSA-A150W12W7-4	ADP A/D 100-240V 150W 12V LOCKABLE DC JACK	1

Optional Accessories

Part Number	Description
1702002600	Power cord 3P 180 cm, USA
1702002605	Power cord 3P 180 cm, Europe
1702031801	Power cord 3P 180 cm, UK
1700000237	Power cord 3P 180 cm, JP
1700009652	Power cord 3P 180 cm, China
FWA-1013-RMK	Rackmount Kit for 1 PSU support
FWA-1013-150WPSU	150W power adapter
1700027334-01	USB for RJ45 console cable, 190cm
PCA-TPMSPI-00A1	TPM 2.0 Module, SPI
NMC-R014T-12A1	RF module