

FWA-6072

2U Rackmount Network Appliance with 4th & 5th Generation Intel® Xeon® Scalable Processor for NFV



Features

- Up to 60 cores for NFV needs with single 4th & 5th Generation Intel® Xeon® scalable processors
- Up to 16 DDR5 RDIMM memory to boost computing capability
- 8 x NMC with PCIe Gen5 for networking (Compatible with Gen4 & Gen3)
- High availability system with redundant solutions
- Managing system with Advantech in-house IPMI firmware (Comply with Redfish 1.14.1)

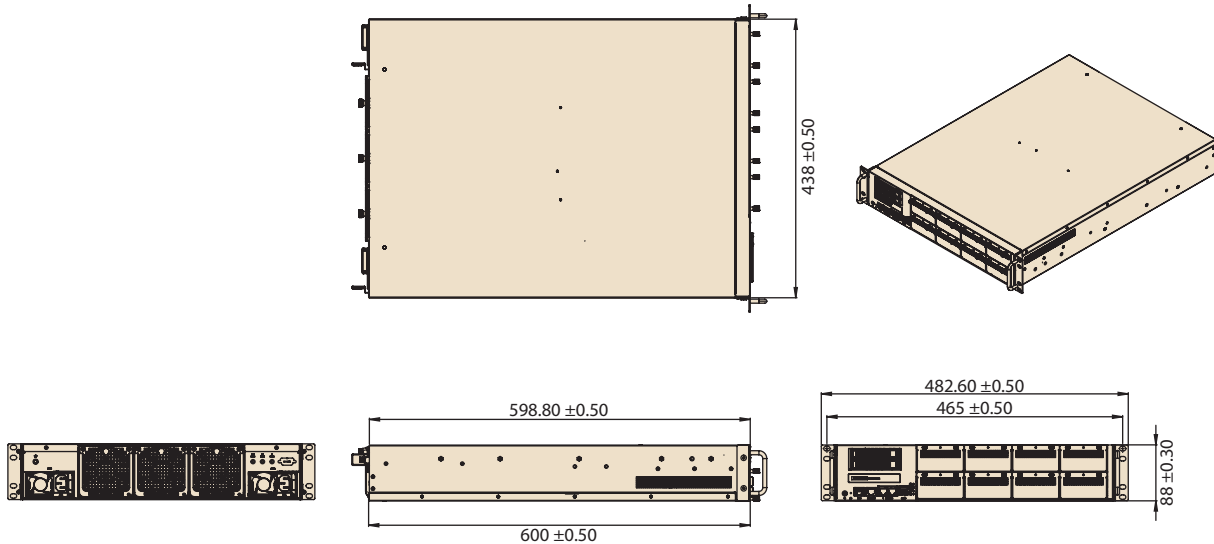


Specifications

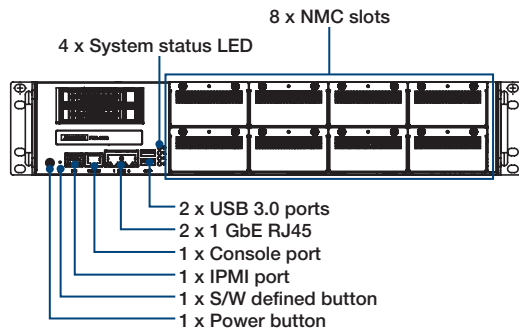
| | | |
|------------------------|----------------------------------|--|
| System P/N | | FWA-6072-00A1R |
| Form Factor | | 2U Rack Mount |
| Processor System | Processor | 4th & 5th Generation Intel® Xeon® Scalable Processors |
| | Core Count | Up to 60C |
| | Base Frequency | Up to 3.7 GHz |
| | Chipset | C741 |
| | BIOS | AMI UEFI |
| Virtualization | | Intel® VT-Redirect Protection, Intel® S-I/OV |
| Memory | Technology | DDR5, up to 5600 MT/s |
| | Max. Capacity | 1024 GB (64 GB per slot) |
| | Socket | 16 x 288-pin DIMM |
| | ECC Support | RDIMM |
| Networking | Controller | 2 x Intel i210 |
| | 1GbE | 2 x 1GbE RJ45 |
| Expansion Slot | PCIe x16 | 1 x PCIe Gen4 x16 FH/HL |
| | NMC | 8 x PCIe Gen5 x8 |
| IPMI | | IPMI 2.0 and Redfish compliant |
| Storage | 2.5" Bay | 2 x External 2.5" HDD/SSD |
| | M.2 | 1 x M.2 2280 M-Key for SATA SSD; 1 x M.2 2280 M-Key for SATA SSD or PCIe Gen3 x4 NVME |
| I/O | Console | 1 x RJ45 type console |
| | USB | 2 x USB 3.0 |
| | LED Indicator | 1 x Power LED, 1 x Alert LED, 1 x Locate LED, 1 x Software-defined LED |
| | Display | 1 x VGA port |
| | Button | 1 x Power button, 1 x Software-defined button |
| | Others | 1x dedicated 1GbE LAN for IPMI |
| TPM | | TPM 2.0 |
| Power Supply | Power Type | AC Redundant CRPS (Option: DC Redundant CRPS) |
| | Watts | 800 W |
| | Input | AC: 100-240V~, 8-4A, 50-60Hz (Option: DC -48V) |
| | Connector | AC 3pin plug |
| Environment | Operating Temperature | 0 ~ 40 °C (32 ~ 104 °F) |
| | Non-operating Temperature | -40 ~ 70 °C (-40 ~ 158 °F), 60 °C@95% Non-Condensing Humidity |
| | Vibration Resistance (Operation) | 5-500 Hz, 0.3 Grms, 3 axes, 1 hr/per axis |
| | Shock Protection (Operation) | 10 G, 11 ms |
| Cooling | | 3 x Hot swap 8038 mm fan |
| Mechanical | Construction | SGCC |
| | Mounting | Rackmount |
| | Dimensions (W x H x D) | 438 x 88 x 600 mm (17.2" x 3.4" x 23.6") |
| | Weight (G.W.) | 15kg (33.06 lbs) |
| OS Support | | Linux (CentOS, Red Hat, Ubuntu, Fedora) |
| Advantech S/W Packages | | <ol style="list-style-type: none"> 1. ALBPCU 2. APOECU 3. ipmitool 4. Server iManager (Linux base) <ul style="list-style-type: none"> -Health Guard -Diagnostic Framework -Network device identifier (NDI) 5. Quick Start Linux Image |
| Certification | EMC/Safety | CE, FCC, CB, UL, CCC |

Dimensions

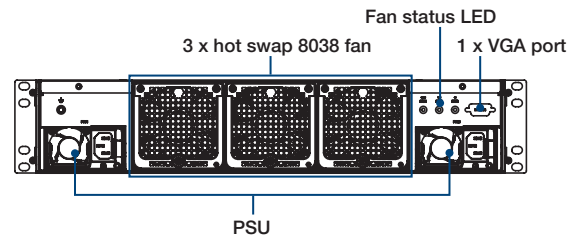
Unit: mm



Front Panel External I/O Mechanical Layout/Drawing



Rear Panel External I/O Mechanical Layout/Drawing



Ordering Information

| Part Number | Processor | DDR5 | PCH | QAT | NMC Slot | PCIe Slot | Storage Bay | USB3.0 | IPMI Port | Console Port | LAN Port | | | System Fan | PSU |
|----------------|--|------|------|------------|----------|-----------|-------------|--------|-----------|--------------|----------|--------|----------|------------|-----|
| | | | | | | | | | | | 1G RJ45 | 1G SFP | 10G SFP+ | | |
| FWA-6072-00A1R | Single socket for 4th & 5th Gen. Intel® Xeon scalable processors | 16 | C741 | By CPU SKU | 8 | 1 | 2 | 2 | 1 | 1 | 2 | 0 | 0 | 3 | 2 |

Packing List

| Part Number | Description |
|----------------|--|
| 1700020691-01 | M CABLE D-SUB 9P(F)/RJ45 220cm |
| 1651003738-01 | IC SKT LGA 4677 SKT E EGS Carrier Assy,E1A |
| 1651003739-01 | IC SKT LGA 4677 SKT E EGS Carrier Assy,E1B |
| 1970005574T001 | CPU HS for FWA-6072, Up to 300W |
| 1930008928 | Screws for slide rail installation |

Optional Accessories

| Part Number | Description |
|------------------|---|
| 1702002600 | Power cord 3P 180 cm, USA |
| 1702002605 | Power cord 3P 180 cm, Europe |
| 1702031801 | Power cord 3P 180 cm, UK |
| 1700000237 | Power cord 3P 180 cm, JP |
| 1700009652 | Power cord 3P 180 cm, China |
| 1930008928 | Screws for slide rail installation (Order 10 pieces per system) |
| 968DE00026 | Slide rail for post to post dimension 558.9 - 850.9mm |
| FWA-3050-800WPSU | 800W DC Power kit |
| 1700027334-01 | USB for RJ45 console cable, 190cm |