

# FWA-6083

## Rackmount Network Appliance with Single AMD EPYC™ 9005 Processor for NFVI and Network Security Appliance



### Features

- Single AMD EPYC™ 9005 Processor, up to 192 Cores
- Up to 12 x DDR5 RDIMM memory with increased speed to boost computing capability
- Up to 3 x PCIe Gen 5 slots to support variable PCIe cards
- 8 x Advantech network module expansions w/ PCIe Gen5 bandwidth with up to 200GbE bandwidth per slot
- High availability system with redundant design such as PSU, fan, storage, BIOS, and BMC solutions
- Advantech IPMI 2.0 platform compliant, with web interface

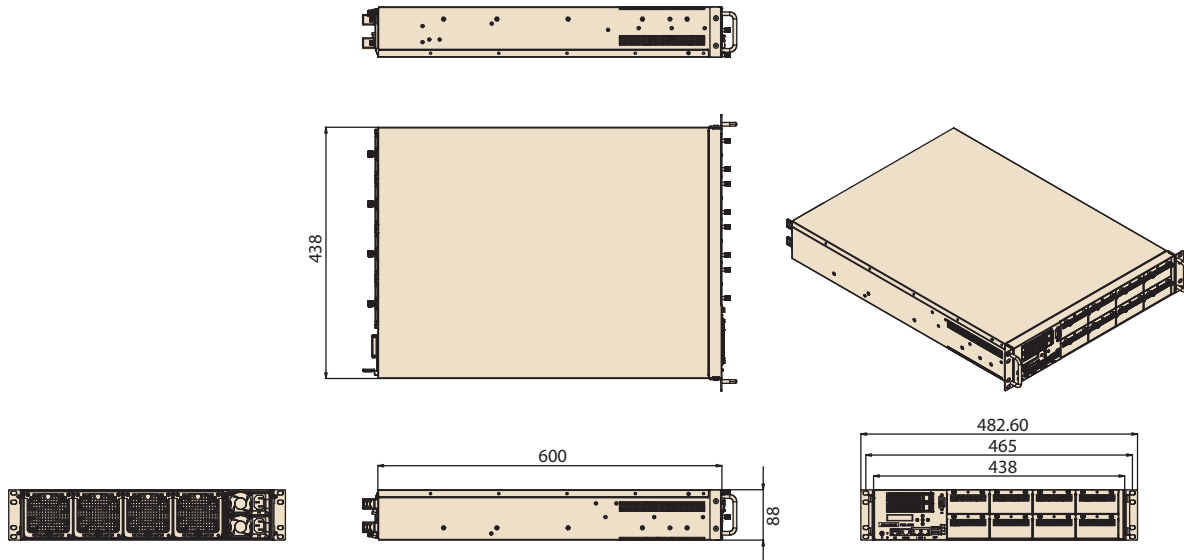


### Specifications

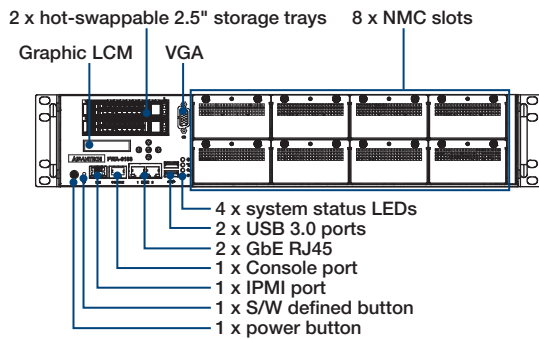
System P/N		FWA-6083-00A1R
Form Factor		2U Rack Mount
Processor System	Processor	5th Generation AMD EPYC™ Processors
	Core Count	Up to 192C
	Base Frequency	Up to 4.2 GHz
	BIOS	AMI UEFI
Virtualization		
Memory	Technology	DDR5, up to 6400 MT/s
	Max. Capacity	768 GB (64 GB per slot)
	Socket	12 x 288-pin DIMM
	ECC Support	RDIMM
Networking	Controller	2 x Intel i210
	1GbE	2 x 1GbE RJ45
Expansion Slot	PCIe x16	3 x PCIe Gen5 x16 HH/HL
	NMC	8 x PCIe Gen5 x8
IPMI		IPMI 2.0 and Redfish compliant
Storage	2.5" Bay	2 x External 2.5" SATA HDD/SSD (U.2 PCIe NVMe by inquiry)
	M.2	2 x M.2 2280 M-Key for SATA SSD or PCIe Gen4 x4 NVME
I/O	Console	1 x RJ45 type console
	USB	2 x USB 3.0
	LED Indicator	1 x Power LED, 1 x Alert LED, 1 x Locate LED, 1 x Software-defined LED
	Display	1 x VGA port
	Button	1 x Power button, 1 x Software-defined button
	Others	1x dedicated 1GbE LAN for IPMI
TPM		TPM 2.0
LCD Module		16 x 2 graphic display, 5 buttons
Power Supply	Power Type	AC Redundant CRPS (Option: DC Redundant CRPS)
	Watts	1200W
	Input	AC: 100-240V~, 12-7A, 50-60Hz (Option: DC -48V)
	Connector	AC 3pin plug
Environment	Operating Temperature	0 ~ 40 °C (32 ~ 104 °F)
	Non-operating Temperature	-40 ~ 70 °C (-40 ~ 158 °F), 60 °C@95% Non-Condensing Humidity
	Vibration Resistance (Operation)	5-500 Hz, 0.3 Grms, 3 axes, 1 hr/per axis
	Shock Protection (Operation)	10 G, 11 ms
Cooling		4 x Hot swap 8038 mm fan
Mechanical	Construction	SGCC
	Mounting	Rackmount
	Dimensions (W x H x D)	438 x 88 x 600 mm (17.2" x 3.4" x 23.6")
	Weight	15kg (33.06 lbs)
OS Support		Linux (CentOS, Red Hat, Ubuntu, Fedora)
Advantech S/W Packages		1. ALBPCU 2. Server iManager (Linux base) 3. Quick Start Linux Image
Certification	EMC/Safety	CE, FCC, CB, UL, CC

## Dimensions

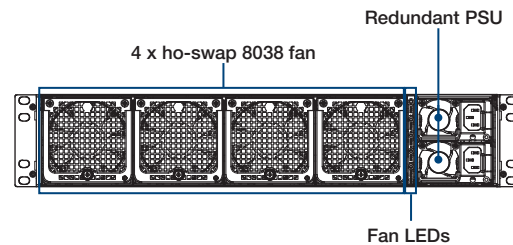
Unit: mm



### Front Panel External I/O Mechanical Layout/Drawing



### Rear Panel External I/O Mechanical Layout/Drawing



## Ordering Information

Part Number	Processor	DDR5	NMC Slot	PCIe Slot	Storage Bay	USB3.0	IPMI port	Console Port	LAN Port 1G RJ45	System Fan	PSU
FWA-6083-00A1R	Single socket, 5th Generation AMD EPYC™ processors	12	8	3	2 (Default: SATA)	2	1	1	2	4	2

## Packing List

Part Number	Description	Quantity
1700020691-01	Console cable D-SUB 9P(F)/RJ45 220cm	1
1970005835T001	CPU Heatsink	1
1930007259-01	Screws for mounting ear	4
1960083584N021	Rack mount bracket and Handle	2
1960083854T000		

## Optional Accessories

Part Number	Description
1702002600	Power cord 3P 180 cm, USA
1702002605	Power cord 3P 180 cm, Europe
1702031801-11	Power cord 3P 180 cm, UK
1700000237	Power cord 3P 180 cm, JP
1700009652	Power cord 3P 180 cm, China
1930008928	Screws for slide rail installation (Order 10 pieces per system)
968DE00026	Slide rail for post to post dimension 558.9 - 850.9mm
1700027334-01	USB for RJ45 console cable, 190cm