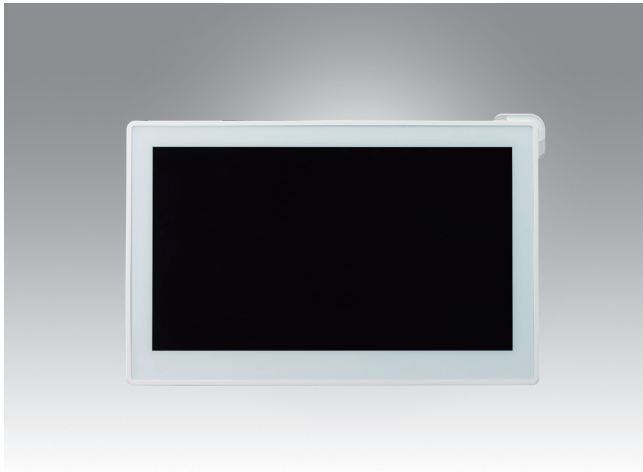


# HIT-512

## Innovative 11.6" Healthcare Information Terminal



### Features

- Innovative and ultra-slim design for healthcare and hospitality applications
- All-in-one computer with Intel® Apollo Lake CPU
- IP65 rated front panel
- Supports M.2 2230 WiFi / BT modules and M.2 2242 SSDs
- Supports RFID/NFC/Web Camera/Smart Card Reader
- Supports LED indicator
- Rich optional peripherals – Handset, second smart card reader, PoE, RFID(HID), MSR
- Supports 75x75mm VESA mount
- Dual certification (Medical and ITE)

### Introduction

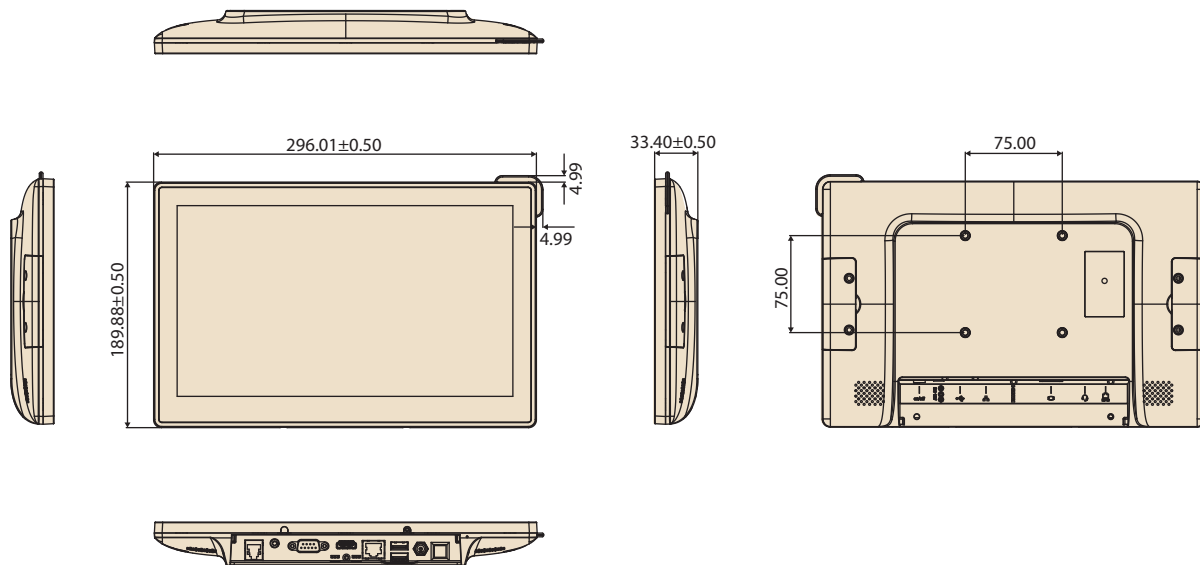
HIT-512 is an 11.6" all-in-one infotainment terminal for healthcare and iServices. It is powered by the Intel Apollo Lake processor that supports Windows, Android, and Linux operating systems. The HIT-512 can be used for communication between family members via webcam, WiFi, and Ethernet network connectivity. It can also be used to authenticate hospital staff and patients through RFID and Smart Card Reader modules. HIT-512 is ideal for applications within hospitals, such as nurse calls or bedside information terminals. It is also suitable for other healthcare-related environments such as treatment centers, eldercare, and fitness centers.

### Specifications

|              |                         |  |
|--------------|-------------------------|--|
| Hardware     | CPU                     | Intel® Apollo Lake J3455 (2M Cache, up to 2.3 GHz)             |
|              | Memory                  | DDR3L x 1, up to 8GB (Default 4GB)                             |
|              | Primary Storage         | M.2 2242 SSD (Default 64GB)                                    |
|              | Camera                  | 2MP CMOS   |
| Display      | Size                    | 11.6" W TFT LED  |
|              | Max Resolution          | 1366 x 768   |
|              | Luminance               | 250 cd/m <sup>2</sup>  |
|              | Contrast Ratio          | 500:1  |
| Touchscreen  | Type                    | Projected Capacitive   |
| I/O Ports    | USB 3.0                 | 2  |
|              | HDMI                    | 1  |
|              | DC-in w/ lock           | 1  |
|              | Audio Jack (TRRS)       | 1  |
|              | Handset Out (RJ12)      | 1  |
|              | Com-port                | 1  |
|              | Power Button            | 1  |
| Audio        | Speaker                 | 2 Watt x 2   |
|              | Internal Microphone     | 1 (bottom side)  |
| Network      | LAN                     | RJ45 (10/100/1000 Mbit) x 1                                    |
|              | Bluetooth               | BT 4.1 (Default Module)  |
|              | WLAN                    | 802.11 a/b/g/n/ac (Default Module)                             |
| Software     | OS                      | Win 10 IoT 64bit /Android 8.1/Linux (by project base)          |
| Mechanical   | Mounting                | VESA 75 x 75 mm  |
|              | Dimensions ( W x H x D) | 296 x 190 x 33.4 mm  |
|              | Weight                  | Net Weight (w/o adapter): 2.2lb, 1.2kg<br>Weight: 1.5 kg       |
| Optional     | Camera                  | Optional (Embedded module)                                     |
|              | 2nd Smart Card Reader   | Optional (Add-on Module)                                       |
|              | Handset                 | Optional (Add-on Module)                                       |
|              | Barcode Scanner         | Optional (Add-on Module)                                       |
|              | Smart Card Reader       | Optional (Add-on Module)                                       |
|              | RFID/NFC                | Optional (Add-on Module)                                       |
| Power Supply | PoE                     | Optional   |
|              | AC/DC Adapter           | IT or Medical Grade  |
|              | Input Voltage           | 100 ~ 240V <sub>AC</sub> , 1.1 ~ 0.45A @ 47 ~ 63Hz             |
|              | Output Voltage          | ITE: 12V <sub>DC</sub> 3.0A<br>Medical: 12V <sub>DC</sub> 5.42 |
| Environment  | Operating Temperature   | 0 ~ 40 °C  |
|              | IP Rating               | IP65 front panel   |
|              | Vibration               | 1G   |
|              | Shock                   | 10G Peak Acceleration (11ms duration)                          |
|              | EMC & Safety Cert.      | CE, FCC, CCC, EN 60601-1, UL 60601-1 (ITE 62368)               |

## Dimensions

Unit: mm [inch]



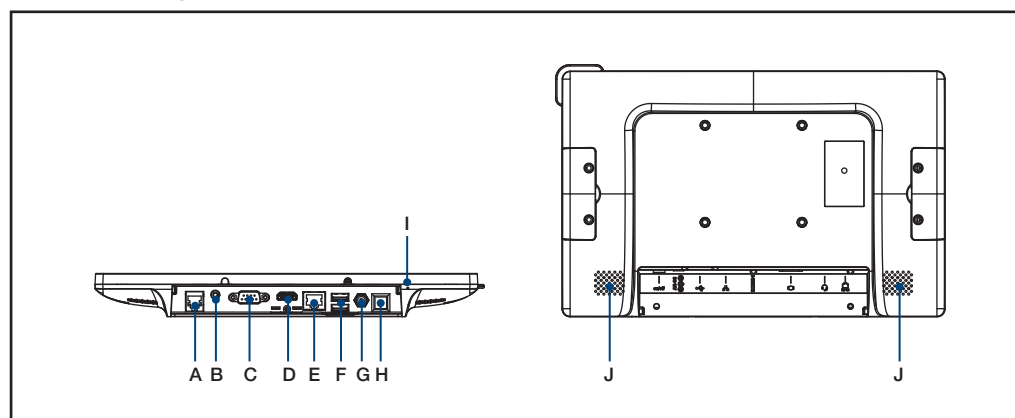
## Ordering Information

| Part Number       | Description   |
|-------------------|---|
| HIT-512-11C20B-CM | 11.6" Wide Screen, Intel Celeron J3455, PCAP Touch, 4G RAM, 64G SSD, WiFi/BT, Win10 IoT Embedded Medical Adapter                    |
| HIT-512-11C20D-CM | 11.6" Wide Screen, Intel Celeron J3455, PCAP Touch, 4G RAM, 64G SSD, Web Camera, WiFi/BT, RFID, Medical Adapter, Win10 IoT Embedded |
| HIT-512-11C20B-CE | 11.6" Wide Screen, Intel Celeron J3455, PCAP Touch, 4G RAM, 64G SSD, WiFi/BT, ITE Adaptor, Win10 IoT Embedded                       |
| HIT-512-11C20D-CE | 11.6" Wide Screen, Intel Celeron J3455, PCAP Touch, 4G RAM, 64G SSD, Web Camera, WiFi/BT, RFID, ITE Adaptor, Win10 IoT Embedded     |

## Accessories

| Part Number    | Description                        |
|----------------|------------------------------------|
| HIT-512-HSK0E  | HIT-512 Handset Kit                |
| 1700001524     | Power cord USA 1.83M               |
| 170203180A     | Power cord UK 1.83M                |
| 170203183C     | Power cord EU 1.83M                |
| HIT-STD-W001-C | Table Stand                        |
| HIT-ARM-W010-C | Wall mount arm, Max. 5kg, w/ cable |

## Fully-Integrated I/O



- A. RJ-12
- B. Audio jack (TRRS)
- C. Com-port
- D. HDMI
- E. RJ-45 LAN
- F. USB 3.0
- G. DC jack
- H. Power button
- I. Microphone
- J. Speaker