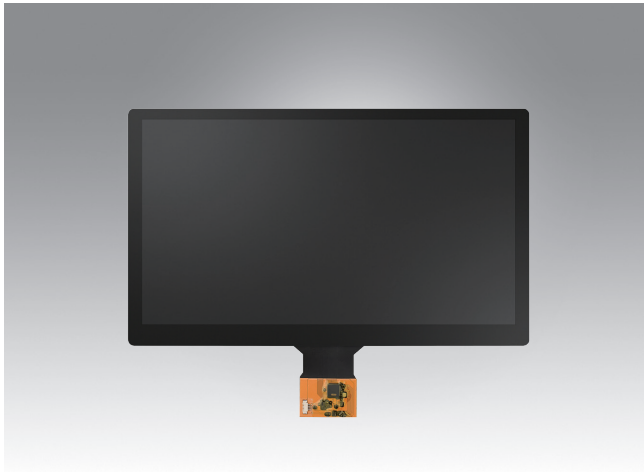


IDK-1113WP

13.3" Full HD Industrial Display kit with Touch Solution



Features

- 13.3" LCD supports 1920 x 1080 pixels
- Brightness of 300 cd/m² with LED backlight
- Projected Capacitive touch solution
- Optical bonding
- Wide view angle
- eDP signal interface
- Low power consumption
- COF touch controller (USB)
- Anti-Reflector/Anti-Glare surface treatment (Customized request)

Introduction

The Advantech IDK-1113WP series comes with a 13.3" industrial grade IPS LCD display with Projected Capacitive touch. IDK-1113WP series supports Projected Capacitive touch with low power consumption. IDK-1113WP series is ideal for embedded applications which customers have maximum flexibility for mechanical design.

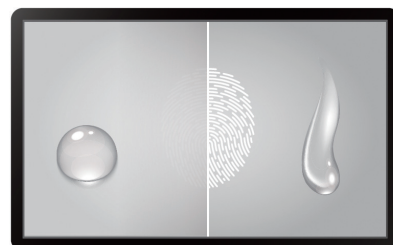
Specifications

Part No.	IDK-1113WP-30FHE1	
LCD Panel	Display Size	13.3"
	Resolution	1920 x 1080
	Display mode	Normally Black
	Viewing Angle (U/D/L/R)	178° x 178° (Full view)
	Brightness	300 cd/m ²
	Backlight Life (hrs)	30,000
	Contrast Ratio	600:1
	Response Time	27ms
	Colors	16.2M (6bit+FRC)
	LCD Input Voltage	3.3V
	Consumption	4.8W
	Signal Interface	eDP 1.2
	Weight	250g
	Dimensions (W x H x D)	300.26 x 177.47 mm
Touch Screen	Touch Type	Projected Capacitive
	Transparency	88 ± 3%
	Interface	USB
	Surface Treatment	Anti-Fingerprint
	Black Print	Yes
Control IC	EXC81W46 (COF)	
Environment	Operating Temperature	0 ~ 50° C
	Storage Temperature	-20 ~ 60° C

Full view display



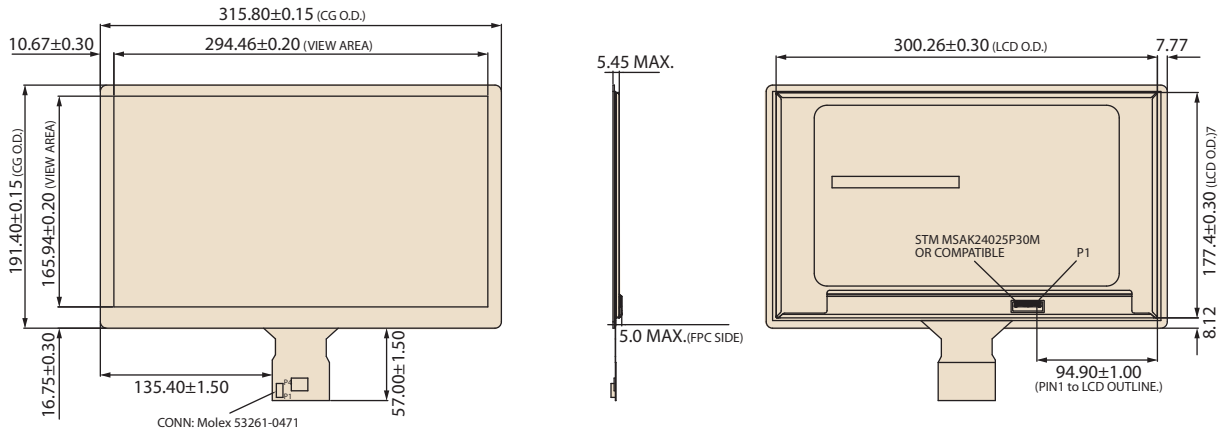
AF v.s Clear



Dimensions

Unit: mm

IDK-1113WP-30FHE1



Ordering Information

Part No.	Size	LCD Brightness (cd/m ²)	Interface	Touch screen	Touch Interface
IDK-1113WP-30FHE1	13.3"	300	eDP	Projected Capacitive Touch	USB

Optional Order

IDK-1113WP-30FHE1

SBC Part No.	eDP cable P/N	Display interface	Touch interface	Touch power input
MIO-2375	1700036604-01	eDP	USB	5V
MIO-4370	1700036604-01	eDP	USB	5V

Packing List

Part Number	Description
1700032283-01	1 x USB Touch cable

Note: Package contents are subject to change without prior notice

For more compatible embedded board solution, please visit our Build Your display web page as bellow <http://www.advantech.com/buildyourdisplay>