

# IDP31-215W

## 21.5" Bezel-less Touch Monitor

IDP31-215WP25HIB2



IDP31-215WP25HIC1/IDP31-215WPK2HIC1/IDP31-215WPK4HIC1/  
IDP31-215WP25HID1



### Features

- 21.5" LCD wide screen panel with LED backlight delivers a long service life
- Supports wide operating temperatures (-30 ~ 80°C)
- True flat surface – contemporary Proflat design
- Wide viewing angles support portrait and landscape modes
- Thin profile enclosure eliminates need for additional casing or metalwork
- Multi-touch PCAP touchscreen with USB interface
- Optional anti-reflective surface treatment empowers sunlight readability
- Increase panel brightness to 1400 nits using an optional enhancement
- IP67 for water and dust protection

### Introduction

Advantech's IDP31-215W Proflat monitor meets demands for stylish contemporary public signage, medical, and POS applications. This solution features a flat, easy to clean/maintain glass surface with long-term product availability. IDP31-215W can be used in either portrait or landscape modes using a VESA mount. This solution's metal chassis creates a rugged and stable platform for a wide range of applications and solutions.

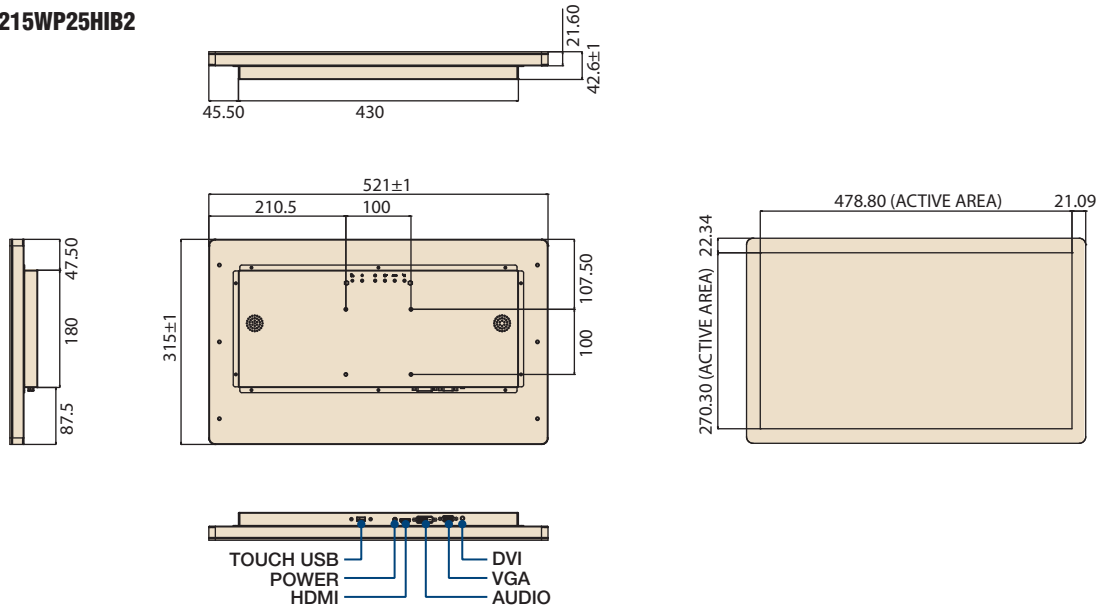
### Specifications

Display Features	Spec					Notes
Model	IDP31-215WP25HIB2	IDP31-215WP25HIC1	IDP31-215WPK2HIC1	IDP31-215WPK4HIC1	IDP31-215WP25HID1 (semi-industrial version)	
Backlight	LED	LED	LED	LED	LED	
Resolution	1920 x 1080	1920 x1080	1920 x1080	1920 x 1080	1920 x1080	Full HD
Brightness	250 cd/m <sup>2</sup>	250 cd/m <sup>2</sup>	1200 cd/m <sup>2</sup>	1400 cd/m <sup>2</sup>	250 cd/m <sup>2</sup>	Measured at typical operating voltage
Viewing Angle	89°/89°/89°/89°	89°/89°/89°/89°	89°/89°/89°/89°	89°/89°/89°/89°	89°/89°/89°/89°	Left/Right/Up/Down
Max Colors	16.7M	16.7M	16.7M	16.7M	16.7M	
Contrast Ratio	1000:1	1000:1	1000:1	1000:1	1000:1	
Response Time	14 ms	22 ms	22ms	25 ms	22 ms	
Backlight Lifetime	30,000 hours	50,000 hours	50,000 hours	50,000 hrs	50,000 hours	
Touchscreen Type	Projected Capacitive	Projected Capacitive	Projected Capacitive	Projected capacitive	Projected Capacitive	
Surface Hardness	7H	7H	7H	7H	7H	
Transparency	86%	85%	85%	85%	85%	
Cover Glass Thickness	3 mm	1.8 mm	1.8 mm	1.8 mm	1.8 mm	
Operating Temperature	0 ~ 45 °C	0 ~ 60 °C	0 ~ 55 °C	-30 ~ 80 °C	0 ~ 60 °C	
Storage Temperature	-20 ~ 60 °C	-20 ~ 60 °C	-20 ~ 60 °C	-30 ~ 80 °C	-20 ~ 60 °C	
Humidity	90% RH @ 40 °C	90% RH @ 40 °C	90% RH @ 40 °C	90% RH @ 40 °C	90% RH @ 40 °C	Non-condensing
Input/Output	1 x HDMI; 1 x VGA; 1 x DVI; 1 x Audio (audio output 3W) 1 x 12 V <sub>DC</sub> Jack; 1 x USB	1 x HDMI, 1 x 12 V <sub>DC</sub> Jack, 1 x USB	1 x HDMI, 1 x 12 V <sub>DC</sub> Jack, 1 x USB	1 x HDMI, 1 x 12 V <sub>DC</sub> Jack, 1 x USB	1 x HDMI, 1 x 12 V <sub>DC</sub> Jack, 1 x USB	USB is reserved for the connection to enable touch only
OSD	Keys: Menu, Up, Down, Auto Adjust, Monitor Power on/off Menu Functions: Brightness, Contrast, Screen Settings, Color Temp, Language OSD settings, Recall, Auto Adjust	Keys: Menu/Sel, Right/UP, eft/Down, Exit, Monitor Power n/off Key Functions: Brightness, Contrast, Screen Settings, Color emp, Language	Keys: Menu/Sel, Right/UP, eft/Down, Exit, Monitor Power n/off Key Functions: Brightness, Contrast, Screen Settings, Color emp, Language	Keys: Menu/Sel, Right/UP, eft/Down, Exit, Monitor Power n/off Key Functions: Brightness, Contrast, Screen Settings, Color temp, Language	Keys: Menu/Sel, Right/UP, eft/Down, Exit, Monitor Power n/off Key Functions: Brightness, Contrast, Screen Settings, Color emp, Language	
Power Consumption	16W	14W	43W	47W	14W	
Power Input	12V <sub>DC</sub>	12V <sub>DC</sub>	12V <sub>DC</sub>	12VDC	12V <sub>DC</sub>	
Mounting	VESA mount	VESA/Panel mount	VESA/Panel mount	VESA/Panel mount	VESA/Panel mount	
IP Rating	Front IP54	Front IP67	Front IP67	Front IP67	Front IP67	
Weight	4.8 kg	5.4 kg	5.4 kg	5.4 kg	5.62kg	

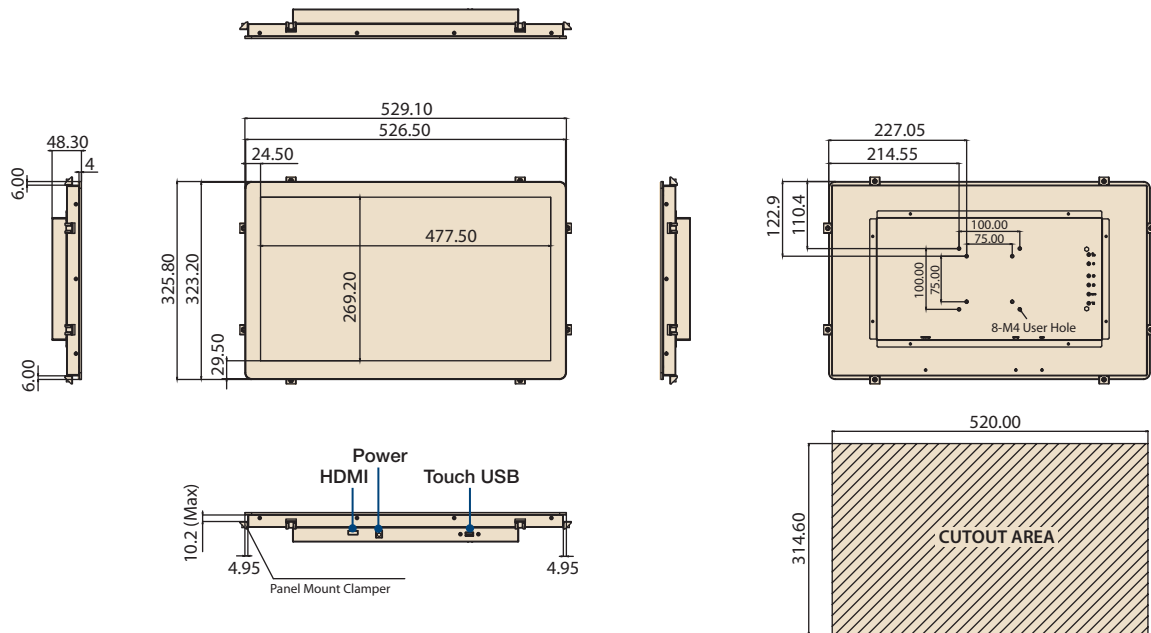
**Dimensions**

Unit: mm [inch]

**IDP31-215WP25HIB2**



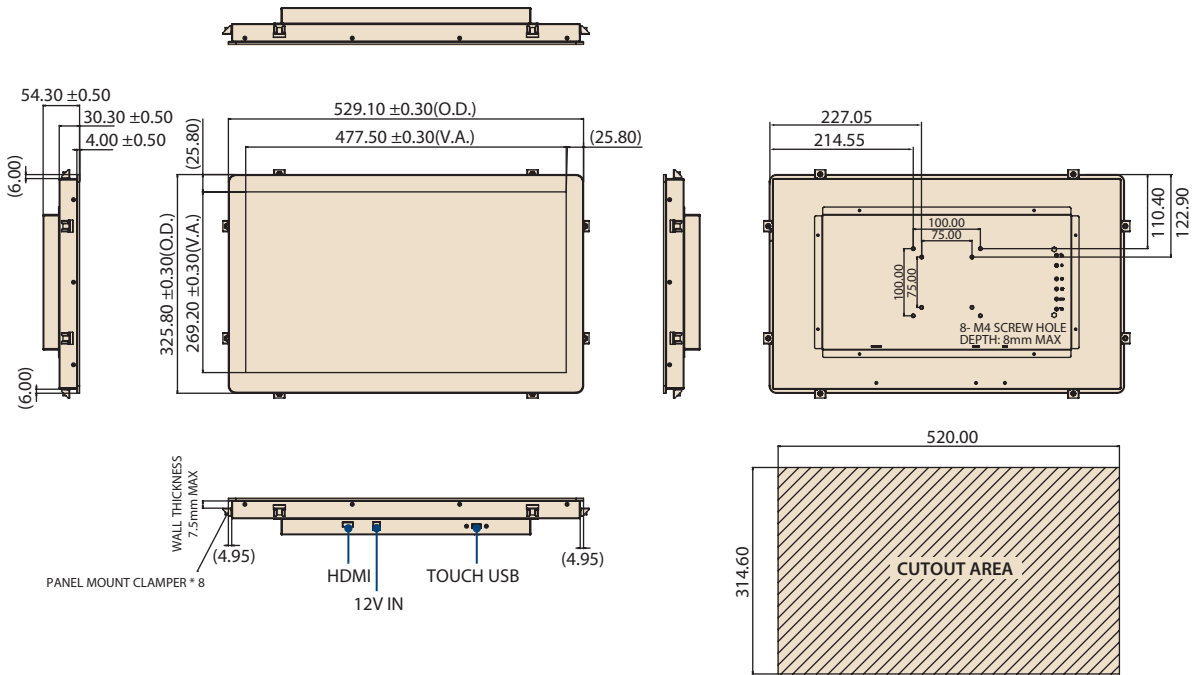
**IDP31-215WP25HIC1/  
IDP31-215WPK2HIC1**



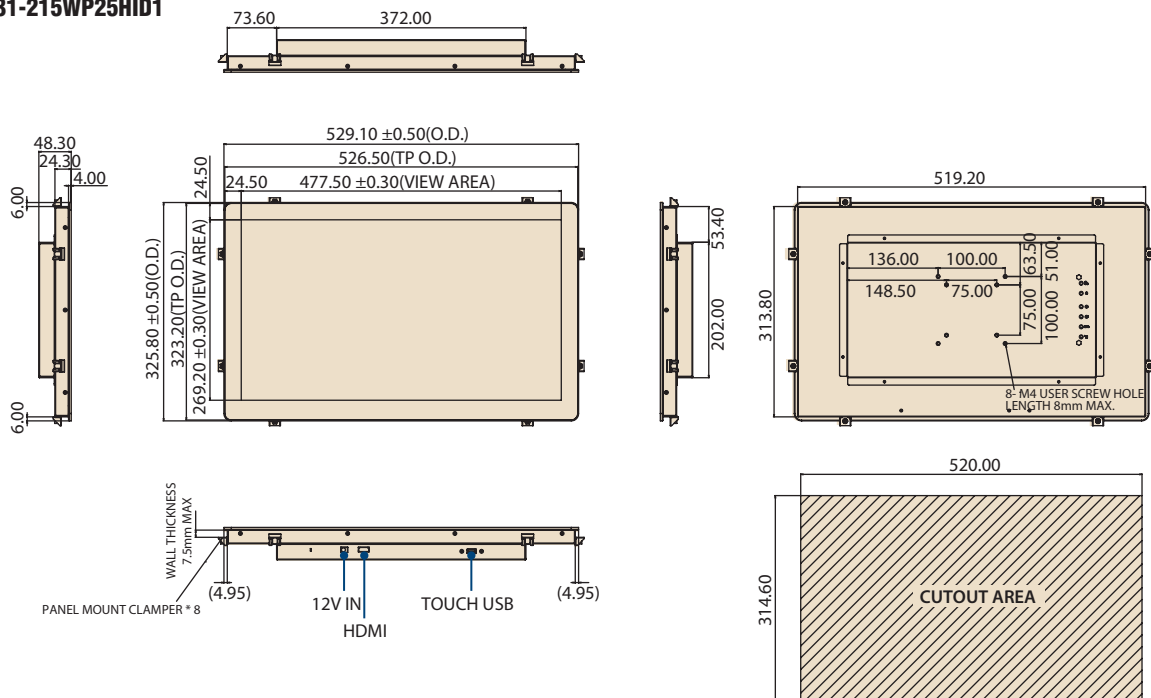
# Dimensions

Unit: mm [inch]

## IDP31-215WPK4HIC1



## IDP31-215WP25HID1



## Ordering Information

Model Name	Description
IDP31-215WP25HIB2	250 cd/m <sup>2</sup> brightness, VGA, DVI, and HDMI input
IDP31-215WP25HIC1	250 cd/m <sup>2</sup> brightness, HDMI input
IDP31-215WPK2HIC1	1200 cd/m <sup>2</sup> brightness, HDMI input
IDP31-215WPK4HIC1	1400 cd/m <sup>2</sup> brightness, wide temp, HDMI input
IDP31-215WP25HID1	250 cd/m <sup>2</sup> brightness, HDMI input, semi-industrial version

## Optional Items

Part Number	Description
1702002600	3-Pin power cord (USA) - IEC Kettle type
1700000596	3-Pin power cord (China) - IEC Kettle type
1700018705	3-Pin power cord (EU) - IEC Kettle type
1700018704	3-Pin power cord (UK) - IEC Kettle type
1700000237-31	3-Pin power cord with PSE (Japan) - IEC Kettle type
96PSA-A60W12R1-3	Adapter 100-240V <sub>AC</sub> , 12V <sub>DC</sub> /5A, PLUG 90° - IEC Kettle type
1700023591-01	HDMI cable 1.2 m

## Optional Items - IDP31-215WP25HID1 accessories

Part Number	Description
1700002215-11	1 x M cable USB-A(M)/USB-A(M) 180CM
1700027186-01	1 x HDMI cable 1.5 meter
1992610005	1 x Cable clamp
1962055040	8 x Clamper
1992602010	2 x Cable tie
1990020706S000	2 x USB cable clip
1931030602	2 x Screw M3_6L
1933030500	1 x Screw of cable clamp
1930002205	8 x Screw M4_30L

## Packing List

### IDP31-215WP25HIB2

Part Number	Description
1700002215-11	1 x M cable USB-A(M)/USB-A(M) 180CM
1700021332-11	1 x VGA cable 15P(M) 1.8 m (5.9 ft)

### IDP31-215WP25HIC1/ IDP31-215WPK2HIC1/ IDP31-215WPK4HIC1

Part Number	Description
1700002215-11	1 x M cable USB-A(M)/USB-A(M) 180CM
1700027186-01	1 x HDMI cable 1.5 meter
1992610005	1 x Cable clamp
1962055040	8 x Clamper
1992602010	2 x Cable tie
1990020706S000	2 x USB cable clip
1931030602	2 x Screw M3_6L
1933030500	1 x Screw of cable clamp
1930002205	8 x Screw M4_30L