

IPC-730 Barebone PC

Desktop/Wallmount chassis with AIMB ATX MB



CE FCC

Features

- IPC-730 barebone PC supports the latest AMD Ryzen™ Embedded 9/7/5 Processors with B650 chipset
- Great heat dissipation to ensure system performance and reliability
- Optimized inner space to support oversized GPU cards
- Front I/O for easy cabling and maintenance

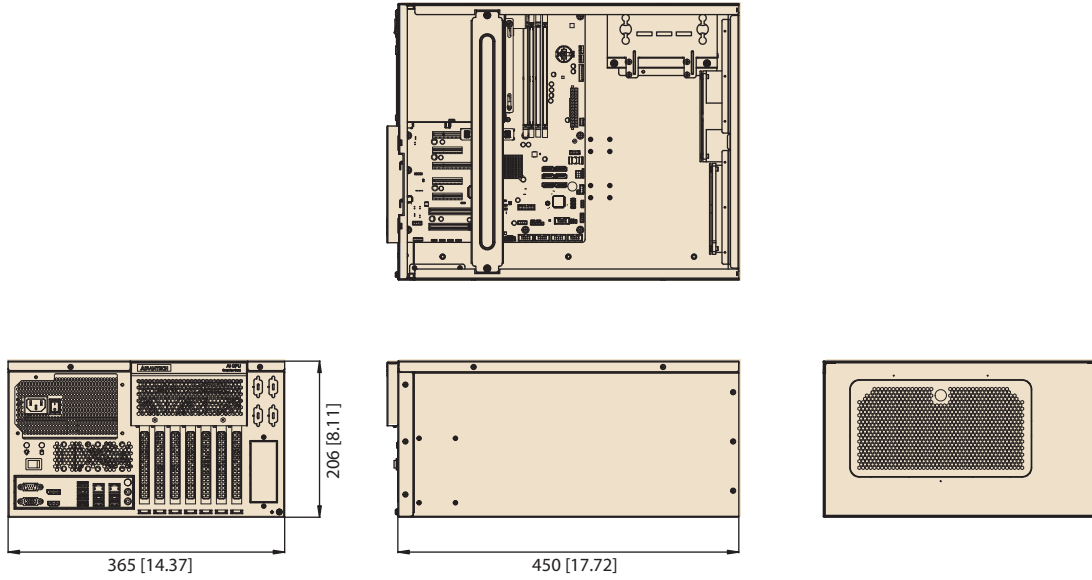
Specifications

AM5	CPU	Ryzen 7 7700X	Ryzen 5 7600X	Ryzen 9 PRO 7945	Ryzen 7 PRO 7745	Ryzen 5 Pro 7645	Ryzen 9 7900	Ryzen 7 7700	Ryzen 5 7600	Ryzen 9 9900X	Ryzen 5 9600X	Ryzen 7 8700G	Ryzen 5 8600G
	Base Frequency	4.5 GHz	4.7 GHz	3.7 GHz	3.8 GHz	3.8 GHz	3.7 GHz	3.8 GHz	3.8 GHz	4.4 GHz	3.9 GHz	4.2 GHz	4.3 GHz
	L3 Cache	32 MB	32 MB	64 MB	32 MB	32 MB	64 MB	32 MB	32 MB	64MB	32MB	16MB	16MB
	Cores	8	6	12	8	6	12	8	6	12	6	8	6
	Default TDP	105W	105W	65W	65W	65W	65W	65W	65W	65W	120W	65W	65W
Drive Bay		External						Internal					
	5.25"	-						0					
	3.5"	-						2					
Cooling	2.5"	2(Optional)						2					
	Fan	2 (Fan1: 12cm/238CFM; Fan2: 12cm/79CFM)											
Front IO	Filter	Yes											
	USB	-											
	PS/2	-											
	DB9	4 (COM cable is required)											
Memory	DB25	-											
	Technology	Dual Channel DDR5 5200 Non-ECC UDIMM											
	Maximum Capacity	32GB per slot; 128 GB total											
Display	Socket	4 x 288-pin DIMM											
	Chipset	AMD Radeon™ Graphics											
	HDMI	1 (Resolution up to 3840 x 2160 @ 60Hz)											
	DP	1 (Resolution up to 3840 x 2160 @ 60Hz)											
Ethernet	VGA	1 (Resolution up to 1920 x 1200 @ 60Hz)											
	Controller	LAN1: Intel I226-V; LAN2: Intel I226-V											
Storage	Interface	2 x RJ-45											
	HDD/SDD	4 x SATA 3.0											
	NVMe M.2	1 (Gen4 PCIe2 M-key 2280 type)											
MB I/O Interface	RAID	0, 1, 10											
	USB	6 (4 x USB 3.2 Gen 2, 2 x USB 3.2 Gen1)											
	Serial Port	6 (5 x RS-232, 1 x RS-232/422/485)											
	Audio	2 (Line-out, Mic-in)											
	PCIe x16	1 (Gen4 x16 link)											
Expansion	PCIe x8	-											
	PCIe x4	3 (2 x Gen4 x4 link, 1 x Gen4 x2 link)											
	PCIe x1	1 (Gen3 x1 link)											
	PCI	1											
LED and Switch	LED	Power, HDD											
	Button	Power											
Power	Type	ATX/AT (Default ATX)											
	Input Voltage	100-240V~, 50-60Hz											
Watchdog Timer	Output	System reset											
	Interval	Programmable 1 ~ 255 sec/min											
Environment	Operating	0 ~ 40 °C (32 ~ 104 °F)											
	Temperature	95% @ 40 °C, non-condensing											
	Humidity	1 Grms											
	Vibration	10G, IEC60068-2-27, 11ms duration											
Mechanical	Shock	365 x 206 x 450 mm (14.4" x 8.1" x 17.7")											
	Dimensions (W x H x D)	10.3 kg (22.71 lbs)											
Certifications	Weight	EMC	CE/FCC Class A, CCC										
	Safety	CB/UL, CCC											
OS Support			Windows 11, Windows 10, Windows 10 IoT, Linux OS										

Dimensions

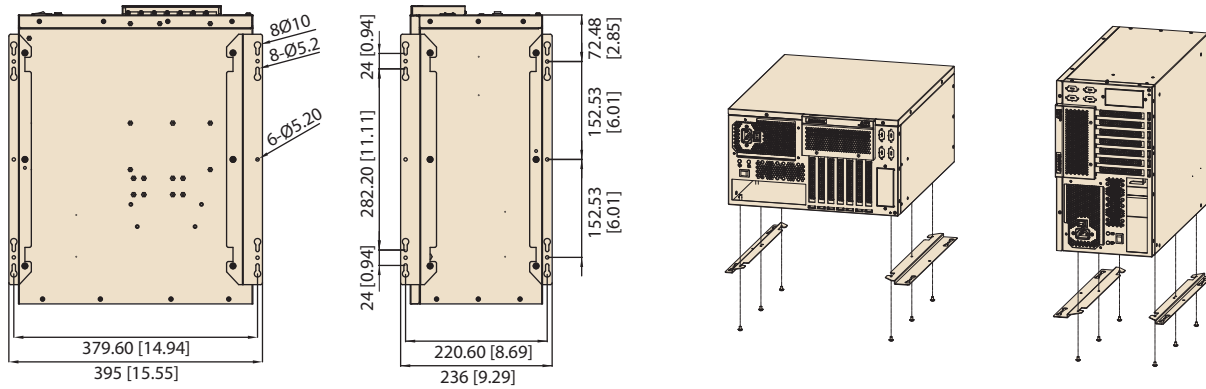
Max. card length: 390mm
Max. card height: 147mm

Unit: mm [inch]



Installation

Unit: mm [inch]



Front View

Rear View



Ordering Information

Part Number	Power Supply	Wattage	80 plus grade	MotherBoard	Chipset	Memory	USB 3.2 Gen 2	USB 3.2 Gen 1	USB 2.0	COM	M.2.	SATA 3.0	iBMC
IPC-730-B685A1U	PS8-850ATX-GZ	850W	Gold	AIMB-723G2-00A1	B650	Non-ECC UDIMM DDR5 5200 up to 128 GB	4	4	4	6	1	4	No

Packing List

Part Number	Description	Qty.
IPC-730	Industrial Computer Chassis	1
1960002043T011	Mounting Bracket	1
1960004574T012	Mounting Bracket	1
-	User Manual	1
AIMB-723	ATX MB	1
1700003194	SATA data cable	2
1960111153T001	I/O port bracket	1
2041072300	Startup manual	1

Optional Accessories

Part Number	Description
PCA-TPMSPI-00A1U	TPM 2.0 Module
1700002204	2-port USB 2.0 cable w/ BKT(27 cm)
1700028292-01	2-port USB 3.0 cable w/ BKT(30 cm)
1701090401	Single COM port cable(40 cm)
1701092300	Dual COM port cable(28.5 cm)
1700022749-13	SATA power cable

MB I/O View



AIMB-723G2-00A1

Embedded OS

Part Number	Description
20706WX1HS0087	img W10 21HL AIMB-723 64b 21H2 ENU
20706WX1VS0087	img W10 21VL AIMB-723 64b 21H2 ENU
20706WLH1S0056	img W11 24HL AIMB-723 64b 24H2 ENU
20706WLV1S0056	img W11 24VL AIMB-723 64b 24H2 ENU
20706U22DS0047	img UbuntuD AIMB-723 64b 22.04 ENU