

IPC-730 Barebone PC

Desktop/Wallmount chassis with AIMB ATX MB



CE FCC

Features

- IPC-730 barebone PC supports the latest Intel 12th/13th/14th generation Core™ i9/i7/i5/i3 & Pentium®/Celeron® processor with Q670E chipset
- Great heat dissipation to ensure system performance and reliability
- Optimized inner space to support oversized GPU cards
- Front I/O for easy cabling and maintenance

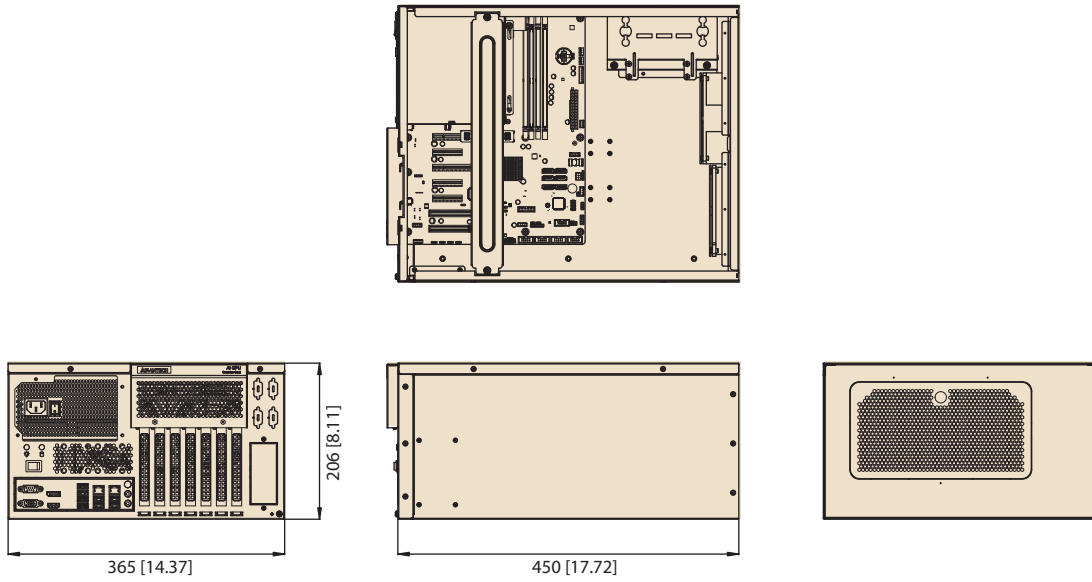
Specifications

14th gen	CPU	I9-14900	I9-14900T	I7-14700	I7-14700T	I5-14500	I5-14500T	I5-14400	I5-14400T	I5-14400F	I3-14100	I3-14100T	I9-14901E	I9-14901TE	I7-14701E	I7-14701TE	I5-14501E	I5-14501TE	I5-14401E	I5-14401TE	300	300T
	P-core Base Frequency	2.0 GHz	1.1 GHz	2.1 GHz	1.3GHz	2.6 GHz	1.7 GHz	2.5 GHz	1.5 GHz	2.5 GHz	3.5 GHz	2.7 GHz	2.8 GHz	2.3 GHz	2.6 GHz	2.1 GHz	3.3 GHz	2.2 GHz	2.5 GHz	2 GHz	3.9 GHz	3.4 GHz
	L3 Cache	36 MB	36 MB	33 MB	33 MB	24 MB	24 MB	20 MB	20 MB	20 MB	12 MB	12 MB	36 MB	36 MB	33 MB	33 MB	24 MB	24 MB	24 MB	24 MB	6 MB	6MB
	Cores	24	24	20	20	14	14	10	10	10	4	4	8	8	8	8	6	6	6	6	2	2
	Processor Base Power	65W	35W	65W	35W	65W	35W	65W	35W	65W	60 W	35W	65W	45 W	65W	45 W	65W	45 W	65W	45 W	65W	35W
13th gen	CPU	I9-13900(E)	I9-13900TE	I7-13700(E)	I7-13700TE	I5-13500(E)	I5-13500TE	I5-13400(E)	I3-13100(E)	I3-13100TE												
	P-core Base Frequency	2.0 GHz	1.1 GHz	2.1 GHz	2.1 GHz	2.5 GHz	1.6 GHz	2.5 GHz	3.4 GHz	2.5 GHz												
	L3 Cache	36 MB	36 MB	30 MB	30 MB	24 MB	24 MB	20 MB	12 MB	12 MB												
	Cores	24	24	16	16	14	14	10	4	4												
	Processor Base Power	65W	35W	65W	35W	65W	35W	65W	60 W	35W												
12th gen	CPU	I9-12900(E)	I9-12900TE	I7-12700(E)	I7-12700TE	I5-12500(E)	I5-12400	I5-12500TE	I3-12100(E)	I3-12100TE	Pentium G7400E	Pentium G7400TE	Celeron G6900E	Celeron G6900TE								
	P-core Base Frequency	2.4 GHz	1.1 GHz	2.1 GHz	1.4 GHz	3.0 GHz	2.5 GHz	1.9 GHz	3.3 GHz	2.1 GHz	3.6 GHz	3.0 GHz	3.0 GHz	2.4 GHz								
	L3 Cache	30 MB	30 MB	25 MB	25 MB	18 MB	18 MB	18 MB	12 MB	12 MB	6 MB	6 MB	4 MB	4 MB								
	Cores	16	16	12	12	6	6	6	4	4	2	2	2	2								
	Processor Base Power	65W	35W	65W	35W	65W	65W	35W	60W	35W	46W	35W	46W	35W								
Drive Bay	5.25"	External																				
	3.5"	-												0								
	2.5"	2(Optional)												2								
														2								
Cooling	Fan	2 (Fan1: 12cm/238CFM; Fan2: 12cm/79CFM)																				
	Filter	Yes																				
Front IO	USB	-																				
	PS/2	-																				
	DB9	4 (COM cable is required)																				
	DB25	-																				
Memory	Technology	Dual Channel DDR5 4400 Non-ECC UDIMM																				
	Maximum Capacity	48GB per slot; 192 GB total																				
	Socket	4 x 288-pin DIMM																				
Display	Chipset	Intel UHD Graphics																				
	HDMI	1 (Resolution up to 3840 x 2160 @ 60Hz)																				
	DP	1 (Resolution up to 4096 x 2304 @ 60Hz)																				
	VGA	1 (Resolution up to 1920 x 1200 @ 60Hz)																				
Ethernet	Controller	LAN1: Intel I219-LM (PHY); LAN2: Intel I210-AT																				
	Interface	2 x RJ-45																				
Storage	HDD/SSD	4 x SATA 3.0																				
	NVMe M.2	1 (Gen4 PCIe4 M-key 2280 type)																				
	RAID	0, 1, 5, 10																				
MB I/O Interface	USB	8 (2 x USB 3.2 Gen 2, 2 x USB 3.2 Gen 1, 4 x USB 2.0)																				
	Serial Port	6 (5 x RS-232, 1 x RS-232/422/485)																				
Expansion	Audio	2 (Line-out, Mic-in)																				
	PCIe x16	2 (1 x Gen5 x8 link, 1 x Gen4 x8 link)																				
	PCIe x8	2 (1 x Gen4 x4 link, 1 x Gen3 x4 link)																				
	PCIe x4	2 (1 x Gen4 x4 link, 1 x Gen3 x4 link)																				
	PCIe x1	1 (Gen4, x1 link)																				
LED and Switch	LED	Power, HDD																				
	Button	Power																				
Power	Type	ATX/AT (Default ATX)																				
	Input Voltage	100-240V~, 50-60Hz																				
Watchdog Timer	Output	System reset																				
	Interval	Programmable 1 ~ 255 sec/min																				
Environment	Operating																					
	Temperature	0 ~ 40 °C (32 ~ 104 °F)																				
	Humidity	95% @ 40 °C, non-condensing																				
	Vibration	1 Grms																				
Mechanical	Shock	10G, IEC60068-2-27, 11ms duration																				
	Dimensions (W x H x D)	365 x 206 x 450 mm (14.4" x 8.1" x 17.7")																				
Certifications	Weight	10.3 kg (22.71 lbs)																				
	EMC	CE/FCC Class A, CCC																				
OS Support	Safety	CB/UL, CCC																				
		Windows 11, Windows 10, Windows 10 IoT, Linux OS																				

Dimensions

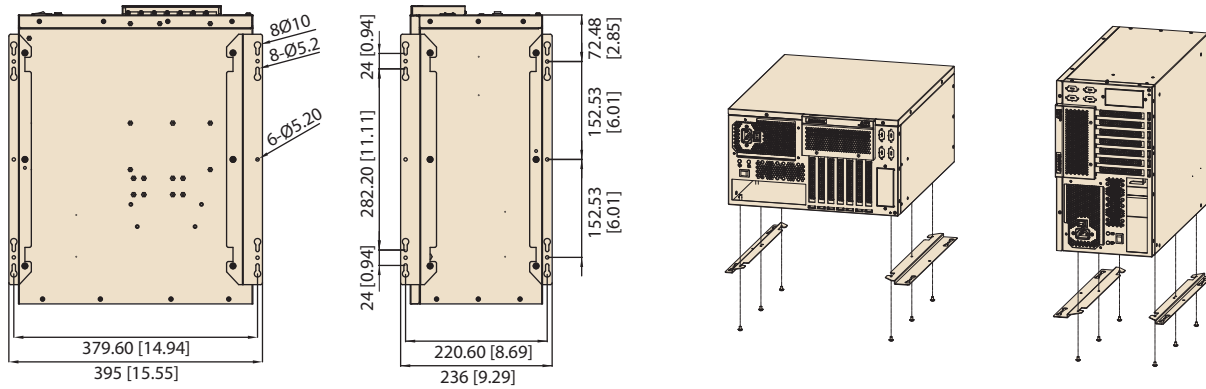
Max. card length: 390mm
Max. card height: 147mm

Unit: mm [inch]



Installation

Unit: mm [inch]



Front View



Rear View



Ordering Information

Part Number	Power Supply	Wattage	80 plus grade	MotherBoard	Chipset	Memory	USB 3.2 Gen 2	USB 3.2 Gen 1	USB 2.0	COM	M.2.	SATA 3.0	iBMC
IPC-730-Q785A1U	PS8-850ATX-GZ	850W	Gold	AIMB-788E-00A1U	Q670E	Non-ECC UDIMM DDR5 up to 192 GB	2	4	7	6	1	4	Yes

Packing List

Part Number	Description	Qty.
IPC-730	Industrial Computer Chassis	1
1960002043T011	Mounting Bracket	1
1960004574T012	Mounting Bracket	1
-	User Manual	1
AIMB-788	ATX MB	1
1700003194	SATA data cable	2
1960104181T001	I/O port bracket	1
2041078800	Startup manual	1

Optional Accessories

Part Number	Description
PCA-TPMSPI-00A1U	TPM 2.0 Module
1700002204	2-port USB 2.0 cable w/ BKT(27 cm)
1700028292-01	2-port USB 3.0 cable w/ BKT(30 cm)
1970005349T000	CPU cooler for 2U, 4U, and wallmount chassis (for CPU Base Power=35~65W)
1970005436T001	CPU cooler for 2U, 4U, and wallmount chassis (for CPU Base Power=125W)
1701090401	Single COM port cable(40 cm)
1701092300	Dual COM port cable(28.5 cm)
1700022749-13	SATA power cable

MB I/O View



AIMB-788E-00A1U

Embedded OS

Part Number	Description
20706WX1HS0038	img W10 21HL AIMB-788 64b 21H2 ENU
20706WX1VS0038	img W10 21VL AIMB-788 64b 21H2 ENU
20706WX1ES0038	img W10 21EL AIMB-788 64b 21H2 ENU
20706WLH1S0035	img W11 24HL AIMB-788 64b 24H2 ENU
20706WLV1S0035	img W11 24VL AIMB-788 64b 24H2 ENU
20706WLE1S0035	img W11 24EL AIMB-788 64b 24H2 ENU
20706U22DS0011	img UbuntuD AIMB-788 64b 22.04 ENU