

# LEO-L04

# USM-L42



## Specifications

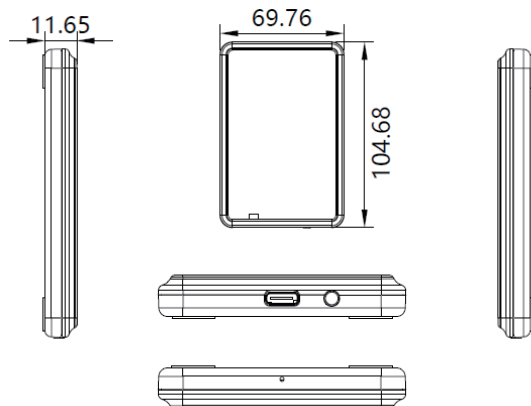
Power	Li Polimar 900mAh	
I/O	USB Type-C(for charging)	
UWB Frequency	3 ~ 6GHz	
Enviroment	Working Temp.	-20 ~ 55 °C
	Storage Temp.	-40C ~ 85 °C
	Humidity	10 ~ 95% @ 25 °C
Protection	IP54	
Deminsion (mm)	H 104.68 x W 69.76 x L 11.65	
Weight	76g	
Certification	By Project based	

## Specifications

Power	By PoE	
Power Consumption	DC5V	
Coverage	3.5W	
	1000 m²	
I/O	RJ45	
Communication	TCP/IP, UDP	
UWB Frequency	3 ~ 6GHz	
Enviroment	Working Temp.	-20 ~ 55 °C
	Storage Temp.	-40C ~ 85 °C
	Humidity	10 ~ 95% @ 25 °C
Protection	IP65	
Deminsion(mm)	H 265 x W 111 x L 70.17	
Weight	350g	
Certification	By Project based	

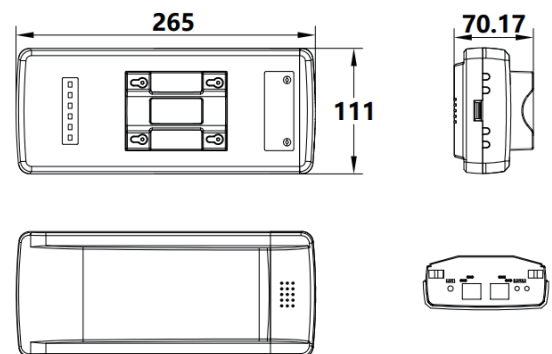
## Dimensions

Unit: mm



## Dimensions

Unit: mm



## Ordering Information

Part Number	Description
LEO-L04-000	UWB Tag
USM-L42-000	UWB Receiver