

LEO-S552-TH

LoRaWAN Temperature/Humidity Sensor



Features

- Supports temperature/humidity sensing
- LoRaWAN technology for efficient long-range wireless data transmissions
- IP67 UV-resistant and waterproof enclosure
- Built-in 2 x 4000 mAh replaceable battery and long battery life
- Equipped with NFC for easily configuration
- Compliant with standard LoRaWAN® gateways and network servers

Specifications

| | | |
|-----------------------|---|--|
| Frequency | US915/AU915/KR920/AS923/CN470 | |
| NFC | Y (Configuration) | |
| Button | 1 x Power Button (Internal) | |
| Battery | 2 x 4000 mAh battery (ER18505) | |
| Battery Life | 5 years (10 min interval, @25°C)* | |
| Data Storage Capacity | 2800 | |
| Working Temperature | -30 ~ 70°C | |
| Working Humidity | 0 ~ 100% (non-condensing) at 25°C (77°F) | |
| Wireless Range | 100 meters+ (Line of Sight)* | |
| dimension | 88.5 x 85.3 x 27 mm (3.48 x 3.36 x 1.06 in) | |
| Weight | 130g | |
| IP | 67 | |
| Certification | FCC, TELEC, CE**, SIRIM, NBTC, RCM | |
| Temperature | Range | -30°C ~ 70°C |
| | Accuracy | 0°C ~ 70°C (± 0.3°C), -30°C ~ 0°C (± 0.6°C) |
| | Resolution | 0.1°C |
| Humidity | Range | 0~100% RH |
| | Accuracy | 10% to 90% RH (±3%), below 10% and above 90% RH (±5%) |
| | Resolution | 0.5% |

* Test under laboratory conditions and for guideline purposes only

**CE by project

Ordering Information

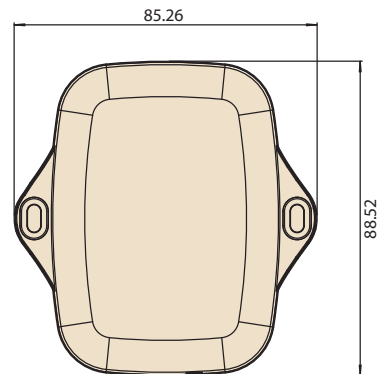
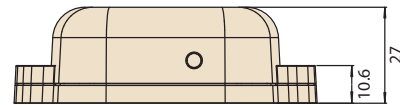
| Part Number | Description |
|---------------|------------------------------------|
| LEO-S552-THG0 | LEO-S LoRaWAN Temp/Humi sensor 915 |
| LEO-S552-THC0 | LEO-S LoRaWAN Temp/Humi sensor 470 |

Packing List

- 2 x Screw

Dimensions

Unit: mm



USM-S67

LoRaWAN Gateway



Features

- Quad-core industrial processor with big memory
- Equip with SX1302 chip, handling a higher amount of traffic with lower consumption
- 8 half/full-duplex channels
- IP65 enclosure and industrial design for parts of outdoor environment applications like eaves
- Desktop, wall or pole mounting
- Multi backhaul backups with Ethernet and Wi-Fi
- Easy and centralized management of remote devices
- Enable security communication with multiple VPNs like IPsec/OpenVPN/L2TP/PPTP/DMVPN
- Built-in network server and MQTT/HTTP/HTTPS API for easily integration
- Embedded Python SDK for users secondary development
- Fast and user-friendly programming by Node-RED development tool

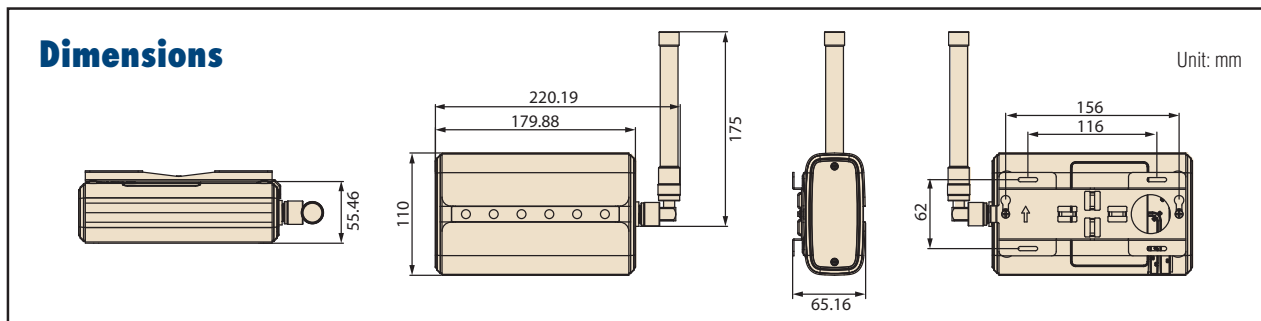
Specifications

| | | |
|---------------|-------------------------------------|---|
| General | CPU | Quad-core 1.5 GHz, 64-bit ARM Cortex-A53 |
| | Memory | 512 MB DDR4 |
| | Flash | 8 GB eMMC |
| | LED Indicators | 1 x POWER, 1 x STATUS, 1 x LoRa, 1 x Wi-Fi, 1 x Ethernet |
| LoRaWAN | Frequency | US915/AU915/KR920/AS923/CN470 |
| | Antenna | 2 x Internal Antennas 1 x External Antenna |
| | Wireless Range | 100 meters+ (Line of sight)** |
| | Connect Q'ty | Support up to 100 x LEO-S sensors* |
| Connectivity | Ethernet | 10/100/1000 Base-T |
| | Wifi | IEEE 802.11 b/g/n, 2.4GHz |
| Others | Button | 1 x Reset Button |
| | Power | 1. DC Jack Connector for 9-24 V _{DC} power supply 2. 1 x 802.3 af PoE input |
| | Working Temperature | -40 ~ 70°C (-40 ~ 158°F) |
| | Storage Temperature | -40 ~ 85°C (-40 ~ 185°F) |
| | Operating Humidity | 0 ~ 95% (non-condensing) at 25°C (77°F) |
| | dimension | 180 x 110 x 56.5 mm (7.09 x 4.33 x 2.22 in) |
| | IP | 65 |
| Certification | FCC, TELEC, CE***, RCM, SIRIM, NBTC | |

* Dependent on usage scenario

** Test under laboratory conditions and for guideline purposes onl

***CE by project



Ordering Information

| Part Number | Description |
|---------------|------------------------------------|
| USM-S67-GOWPO | USM-S67 LoRaWAN & WIFI Gateway 915 |
| USM-S67-COWPO | USM-S67 LoRaWAN & WIFI Gateway 470 |

Packing List

- 1 x LAN Cable(1.5M)
- 1 x Adapter
- 1 x Mounting Bracket
- 2 x Mounting Kits
- 1 x LoRaWAN Antenna

USM-S67

LoRaWAN Compact Gateway



Features

- Support 8 half/full-duplex channels
- Enable security communication with multiple VPNs(IPsec/OpenVPN/L2TP/PPTP/DMVPN)
- Detect and analyze the noise level and provide intuitive diagram for deployment
- Built-in network server and MQTT/HTTP/HTTPS API for easily integration

Specifications

| | | |
|---------------|---------------------|--|
| General | CPU | 528 MHz, ARM Cortex-A7 |
| | Memory | 256 MB DDR4 |
| | Flash | 4 GB eMMC |
| | LED Indicators | 1 x SYS, 1 x LoRa |
| LoRaWAN | Frequency | US915/AU915/KR920/AS923/CN470 |
| | Antenna | 2 x Internal Antennas |
| | Wireless Range | 100 meters+ (Line of sight)** |
| Connectivity | Connect Q'ty | Support up to 20 x LEO-S sensors* |
| Others | Ethernet | 10/100 Base-T |
| | Button | 1 x Reset Button |
| | Power | 1.802.3 af PoE input 2.5V/1A by Type-C Port |
| | Working Temperature | -20 ~ 50°C (-4 ~ 122°F) |
| | Storage Temperature | -40 ~ 85°C (-40 ~ 185°F) |
| | Operating Humidity | 0 ~ 95% (non-condensing) at 25°C (77°F) |
| | dimension | Ø115 x 21 mm (Ø4.52 x 0.83 in) |
| | IP | 30 |
| Certification | FCC, TELEC, CE*** | |

* Dependent on usage scenario

** Test under laboratory conditions and for guideline purposes only

***CE by project

Ordering Information

| Part Number | Description |
|---------------|-----------------------------|
| USM-S67-G00P0 | USM-S67 LoRaWAN Gateway 915 |
| USM-S67-C00P0 | USM-S67 LoRaWAN Gateway 470 |

Packing List

- 2 x Mounting Kits

Dimensions

Unit: mm

