

MIC-735-IT

AI Inference System Powered by
NVIDIA® IGX Thor™



Features

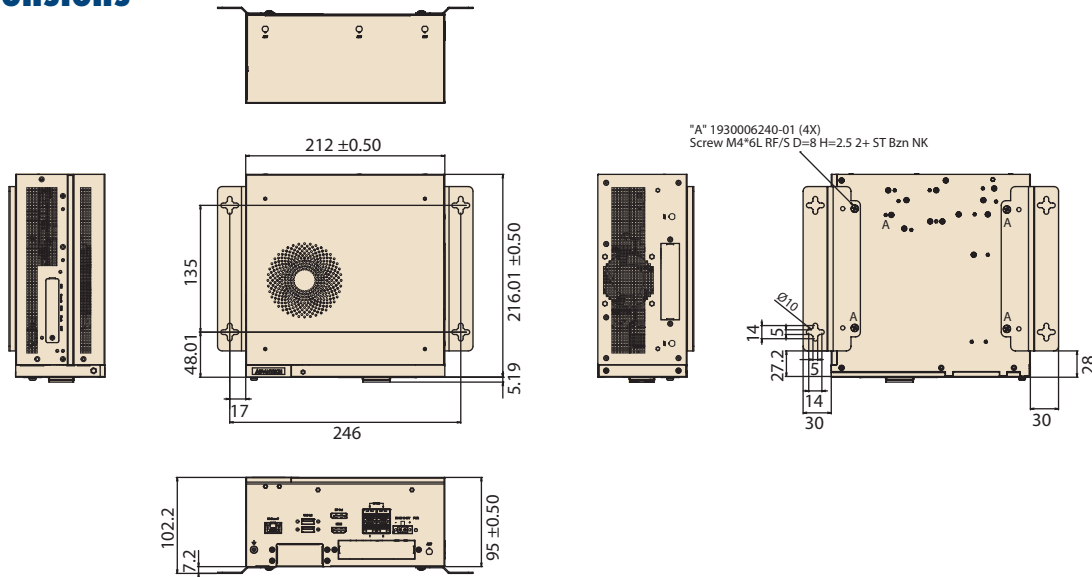
- Embedded with NVIDIA IGX™ T5000 up to 2,070 FP4 TFLOPS
- Supports 4 x SFP28 (4 x 10 GbE)
- Supports 1 x 5GbE, 2 x USB 3.2 Gen 2, 1 x M.2 Ekey (WiFi), 1 x M.2 B key (LTE./ 5G)
- Supports 1 x Safety MCU
- Wide operating temperature -30°C to +60°C with ruggedized design
- Support Total 8-ch GMSL2.0 with mini FAKRA connectors

Specifications

Processor		NVIDIA® IGX T5000™
	CPU	14-core Arm® Neoverse®-V3AE 64-bit CPU
	GPU	2,560-core NVIDIA Blackwell architecture GPU with fifth generation Tensor Cores
	Memory	128 GB 256-bit LPDDR5X
Ethernet	RJ45	1 x 10/100/1000/2500/5000 Mbps Ethernet
	SFP28	4 x 10 GbE
I/O	Display	1 x Display Port (Max. resolution 3840x2160 @ 60Hz) 1 x HDMI (Max. resolution 3840x2160 @ 60Hz)
	USB	2 x USB 3.2 Gen 2 (Type A)
	Flash USB	1 x USB 2.0 (Type C)
	Console	1 x USB 2.0 (Type C) console for debug (UART to USB)
	CANBUS	1 x CANBUS (header)
	GMSL (Optional)	4 x MIPI 4 lanes (Support 8-ch GMSL2.0 with mini FAKRA connectors)
	SIM card	1 x Nano SIM on side of board
Extension	M.2 E Key	1 x M.2 2230 Slot (E-Key) (Signal: PCIe x1 + USB2.0)
	M.2 B Key	1 x M.2 3052 Slot (B-Key) (Signal USB 3.0 +USB 2.0)
	Mini PCIe	1 x mPCIe Slot (Signal: PCIe + USB 2.0)
Storage	M.2 M Key	1 x 2242 M-key NVMe (PCIe4) (pre-installed 512GB SSD on A1 SKU) 1 x Onboard UFS to support Safety MCU application
Power	Mode	AT
	Input Voltage	19-36 VDC
	Internal pin header	3 x SMART FAN
Environment	Operating Temperature	-30°C to + 60°C with 0.7 m/s airflow
	Operating Humidity	95% @ 40 °C (non-condensing)
	Vibration	3Grms @ 5 ~ 500 Hz, random, 1 hr/axis
	Shock	10G / 11 ms
Safety	Safety MCU module (Optional)	1 x SMCU module with Renesas SMCU RH850/U2A16 (board to board connector)
Mechanical	Dimensions (W x D x H)	System: 212 x 216 x 95 mm
	Weight	2.8 kg
	Installation	Desktop / Wall mount /DIN rail
BSP	IGX OS	IGX OS 2.0 (iGPU mode)
Certifications		CE/FCC Class A /JKCA (No RED certification)

Dimensions

Unit: mm



Ordering Information

Part Number	NVIDIA Module	Memory	eMMC	NVMe	Installed BSP version
MIC-735-IT7A1	NVIDIA® IGX T5000™	128 GB	NA	512 GB Pre-installed	IGX OS 2.0 (iGPU mode)
MIC-735-IT7A2	NVIDIA® IGX T5000™	128 GB	NA	NA	IGX OS 2.0 (iGPU mode)

Packing List

Part Number	Description	Quantity
MIC-735-IT	AI Inference Developer Kit	1
1700030739-01	M cable USB-A 9P(M)/USB-C 24P(M) 30cm	1
1652002202	Plug-in Block 2P for power	1
1960116156N101	Mounting BKT	2
1930006240-01	Screw M4*6L RF/S D=8 H=2.5 2+ ST Bzn NK	4
SQF-C4MV2-512GDEDE		

Part Number	Description	Quantity
1990040296N010	Thermal pad for 5G Module	1
1990033689N000	Thermal pad for Wifi Module	1
1990011336N000	Thermal pad for NVMe	1

Optional

	Part Number	Description	Quantity
SSD	SQF-C4MV2-512GDEDE	SQF PCIe/NVMe Gen.3 M.2 2242 OPAL 720-D 512G 3D TLC BiCS5 (-40-85°C)	1
	SQF-C4MV4-1TDEDE	SQF PCIe/NVMe Gen.3 M.2 2242 OPAL 720-D 1T 3D TLC BiCS5 (-40-85°C)	1
	96FD42-P1TB-TS	SSSTC M.2 2242 1TB NVMe G4 DRAMLESS SSD TLC (0°C -70°C)	1
GMSL2 frame grabber	SQF-C4MV4-2TDEDE	SQF M.2 2242 720-D 2T 3D TLC BiCS5 (-40-85°C)	1
	MIC-FG-8G2C1	8CH GMSL2 frame grabber with mini FAKRA	1
	1751000758-01	RF Cable MINI FAKRA B-Z/F FAKRA-Z/M 1x4 BLK L300	1 to 4 cameras
	1751000805-01	Cable Ant. FAKRA-Z/F FAKRA-Z/F KS302 BLK L15M	1 (by camera quantity)
Wifi	1700026907-01	Cable 1x4P-2.0/1x4P-2.0 10CM (Internal power cable for GMSL)	1
	96PSA-A84W12V1-4	A/D 100-240V 84W 12V C14 DC JACK 62368 (External power supply for GMSL)	1
	EWM-W179M201E	Wi-Fi 6 + BT Module M.2 Key A/E	1
5G	1751000620-01	Cable Ant. SMA/F-R MHF4L/113 BLK L300mm (Wi-Fi)	2
	1751000460-01	Dipole Ant. WiFi 6E SMA/M-R BLK L111.7mm IP54 (Wi-Fi)	2
	AIW-356-DQ	5G Sub6+GNSS M.2 3052 Key B (by region)	1
Power adapter	1751000623-01	Cable Ant. SMA/F MHF4L/113 BLK L300mm (5G)	4
	1750009372-01	Ant.SMA/M 90/180 5G BLK 167mm RG178 (5G)	4
Power Cord	XMIC-FSP230-AAAN3	ADP A/D 100-240V 230W 24V C14 TERMINAL BLOCK 2P	1
	1702002600	Power Cord (USA) UL/CSA, 3-pin, 10A, 125V, 1.83 M	1
	1700029019-01	Power Cord (PSE/BSMI), 3-pin, 7A, 125V, 1.8 M, DAC-ST01	1
Din rail kit	1702002605	Power Cord (EU) 2-pin, 10/16A, 220V, 1.83 M, 90 D	1
	1960120622N000	Din-Rail BKT for MIC-742 Powder 432C	1
	1950016395T108	1950016395T108	2
	1930004789	Screw M3x6L S/S D=5 H=1 (2+) ST BZn NK	6