

MIOe-PSE

PoE IEEE 802.3af/at 15.4 W/30 W Power Sourcing Equipment (PSE) for MIO SBC

NEW



Features

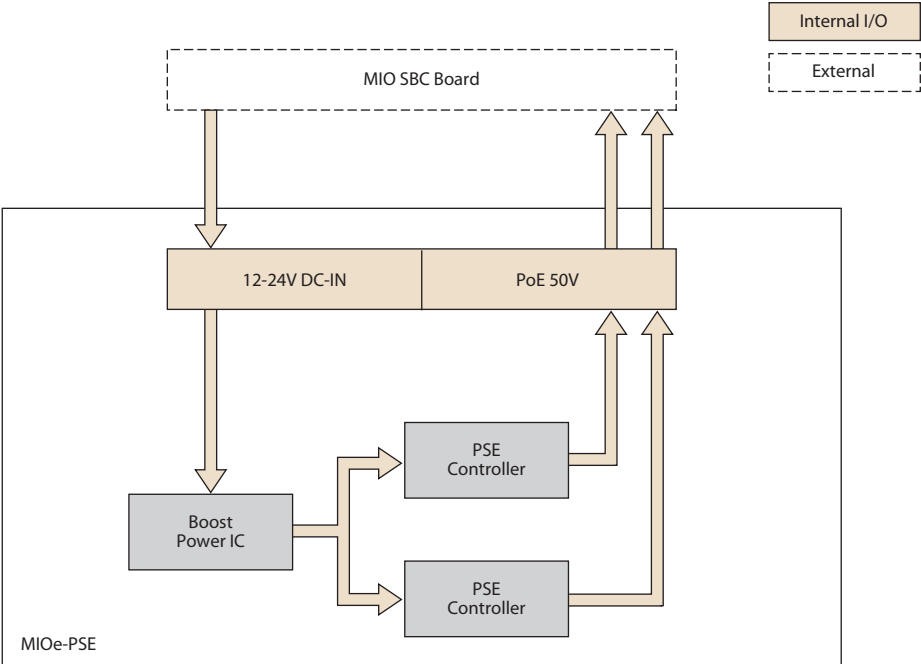
- PSE delivers 15.4 W/30 W power to PD
- Dual/Single port support
- Compliant with IEEE 802.3 af/at standard
- Supports wide temperature -40 ~ 85 °C

CE FCC

Specifications

Product	PSE Module	MIOE-PSE-DPA1	MIOE-PSE-SPA1
Power	Output DC Voltage	50V	
	Input DC Voltage	12-24V	
	Power Sourced at PSE	15.4W / per port	30W / per port
	Power at PD (End-point)	12.95W / per port	25.5W / per port
	Maximum Ports	2	1
	PoE Standard	IEEE 802.3 af	IEEE 802.3 at
Environment	Temperature	Operating: -40 ~ 85 °C (-40 ~ 185 °F) Storage: -40 ~ 85 °C (-40 ~ 185 °F)	
	Humidity	Operating: 40 °C @ 95% relative humidity, non-condensing Storage: 60 °C @ 95%relative humidity, non-condensing	
	Vibration Resistance	3.5 Grms	
Certification	EMC	CE, FCC Class B	
Compatibility	Compatible SBC	MIO-5376, MIO-2364	
Mechanical	Dimensions	72.1 x 44.0 x 1.6 mm	

Block Diagram



Ordering Information

Part No.	Description	Power Sourced (PSE Side)	PD Power (End-Point)	Max. Port
MIOE-PSE-DPA1	MIOe-PSE Dual Port 15.4W PoE PSE module	15.4 W	12.95 W	2
MIOE-PSE-SPA1	MIOe-PSE Single Port 30W PoE PSE module	30 W	25.5 W	1

Packing List

Part No.	Description	Quantity
1970005662T001	MIOe-PSE Heatsink	1
1700002274	PSE to MIO-5376 B2B cable 6P to 6P 23cm	1
1700034521-01	PSE to MIO-2364 B2B cable 4P to 6P 20cm	1