

MNT-3215

21.5" Full HD Monitor

Preliminary



Features

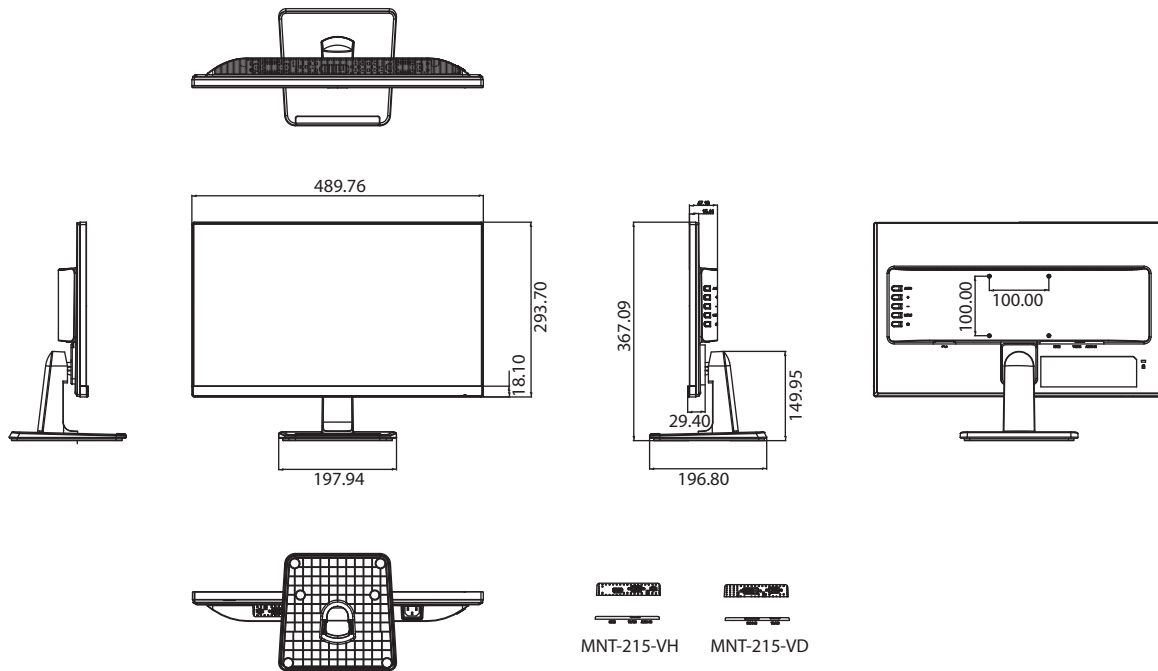
- 21.5" active screen size
- Narrow front bezel design for extremely simple design
- Slim and compact outline dimensions
- Stable and durable desktop stand
- Full HD vivid and colorful viewing experience
- Excellent display performance with super wide viewing angle
- Flexible power input, supporting both AC and DC power sources
- Multiple SKUs for choices
 - Outline housing, Classic black or elegant white
 - LOGO at front bezel, Advantech logo or no any logo
 - Video input, VGA+HDMI or VGA+DVI

Specifications

Brand	Advantech			
Display	Active Screen Size	21.5 inch		
	Resolution	1920 x 1080 (FHD)		
	Brightness	250 nits (Typ.)		
	Contrast Ratio	1000:1 (Typ.)		
	Aspect Ratio	16:9 (Wide)		
	Viewing Angle	89° / 89° / 89° / 89° (Typ.)		
	Response Time	14 ms		
	Backlight Life (hours)	30,000 (Typ.)		
Touch	Touch Type	N/A		
	Touch Function	N/A		
	Touch Interface	N/A		
	Touch Method	N/A		
	Stylus Pen	N/A		
Connectivity	Input	Video	VGA x 1, HDMI x 1	VGA x 1, DVI-D x 1
		Audio	Audio line in x 1	N/A
		Control	N/A	N/A
		Other slots/ports	N/A	N/A
	Output	Video	N/A	N/A
		Audio	2W+2W Internal Speaker	N/A
Control	N/A	N/A		
System	OS	N/A		
	CPU	N/A		
	Memory	N/A		
	OSD Language	English, Spanish, French, Portuguese, Russian, Simplified Chinese, Traditional Chinese, Korean		
	OSD Function			
Power	Power Type	Internal power board		
	Power Input-AC	100-240V _{AC} , 50-60Hz		
	Power Consumption	27 W		
Environment	Operating	Temperature	0°C ~ 40°C	
		Humidity	15% to 90% (non-condensing)	
	Storage	Temperature	-20 ~ 60 °C	
		Humidity	15% to 90% (non-condensing)	
Mechanical Specification	Housing Material	Texture (Black/White)		
	Waterproof Rating	N/A		
	VESA CompatMBility	100 x 100 mm		
	Side mount screw hole	N/A		
	Hand Hoder/Stand	Stand		
	Cable Management	N/A		
	Dimensions (W x H x D)	Physical without stand	TBD	
		Packing	558 x 375 x 139 mm	
	Weight	Net	TBD	
		Gross	TBD	
Installation	Installation rotation	Landscape		
	Mounting on a wall	100 x 100 mm, VESA grid		
	Mounting with stand/arm	100 x 100 mm, VESA grid		
	Mounting through bracket	N/A		
	Extending PC/peripherals	N/A		
Certificate	BSMI, CB, CCC, CE, FCC			
Warranty	2-year (1-year for panel)			

Dimensions

Unit: mm



Ordering Information

Part Number		Description	Packing List
Black housing, no logo	White housing, no logo		
MNT-3215-FD25BA-V1	MNT-3215-FD25WA-V1	Advantech 21.5" Full HD Monitor, VGA/HDMI (incl. Japan, Korea, Australia, and Middle East Power Cord)	<ul style="list-style-type: none"> ▪ Power Cord (1.5M, Black) ▪ VGA Cable (1.5M, Black) ▪ HDMI Cable (1.5M, Black) ▪ Audio Cable (1.5M, Black) ▪ Desktop Stand (Black/White housing) ▪ Startup Manual (Paper)
MNT-3215-FD25BC-V1	MNT-3215-FD25WC-V1	Advantech 21.5" Full HD Monitor, VGA/HDMI (incl. China Power Cord)	
MNT-3215-FD25BX-V1	MNT-3215-FD25WX-V1	Advantech 21.5" Full HD Monitor, VGA/HDMI (incl. Europe, Taiwan, UK, and US Power Cord)	