

MNT-3270

Advantech 27" Full HD Monitor

Preliminary



Features

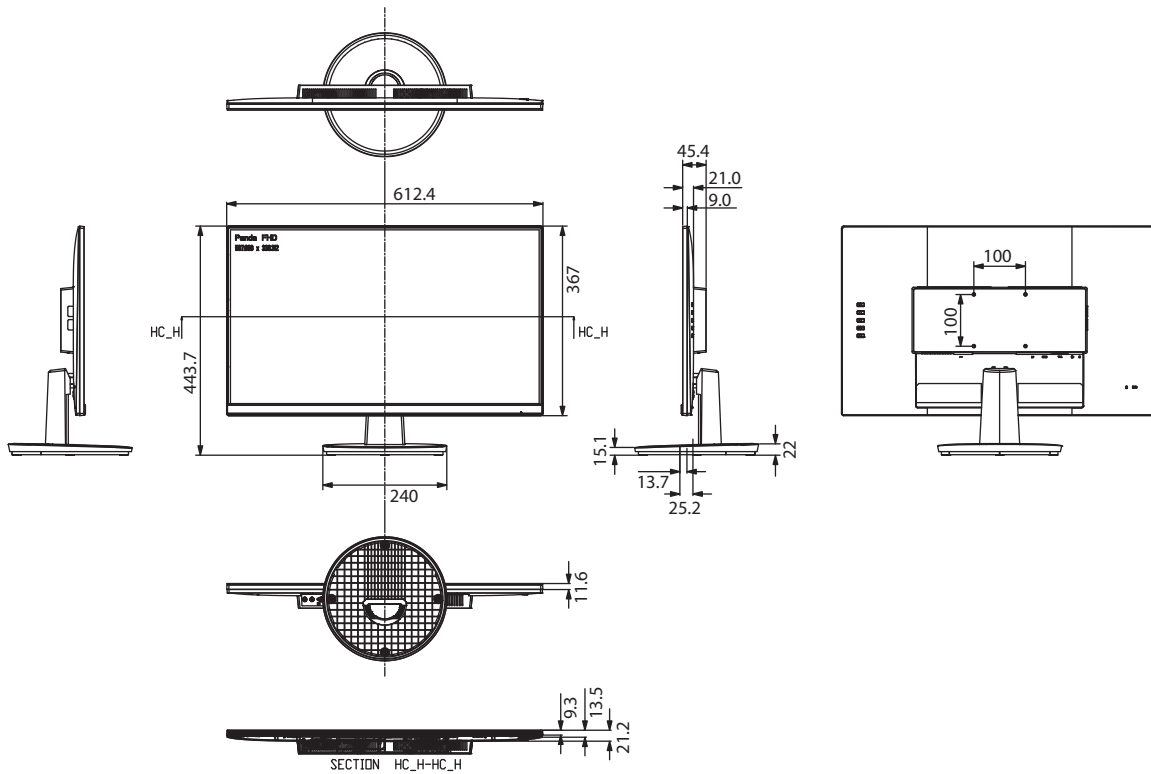
- 27" active screen size
- Support VGA, HDMI, DisplayPort for flexible connectivity to industrial PCs, laptops and other devices
- edge-to-edge and frameless bezel design make this an ideal monitor for seamless multi-screen setups
- Power saving by 30W power consumption
- Support DC 90 - 220V_{DC} power input based on AC power design

Specifications

Display	Active Screen Size	27.0 inch
	Aspect Ratio	16:9 (Wide)
	Resolution	1920 x 1080 (FHD)
	Brightness	300nits (Typ.)
	Colors	16.7M
	Contrast Ratio	1000:1 (Typ.)
	Viewing Angle	89° / 89° / 89° (Typ)
Connectivity	Response Time	14 ms (G to G)
	Input Video	VGA x 1, HDMI 1.3 x 1, DisplayPort 1.2 x 1
	Input Audio	Audio line in x 1
	Input Control	N/A
	Input Other slots/ports	N/A
	Output Video	N/A
	Output Audio	2W+2W Internal Speaker
System	Output Control	N/A
	Control Method	OSD key (Auto, Up, Down, Menu, Power)
	OSD Function	Luminance (Brightness, Contrast, Eco Mode, DCR) , Image Setup (Clock, Focus, H/V Position, Image Ratio), Color Temperature(Warm, Normal, Cool, sRGB, Red, Green, Blue), OSD Setup (H Position, V Position, Timeout, Language), Extra (Input select, DDCD/CI, Reset, Information)
Power	OSD Language	2011 complete version (8 Language: English, Spanish, French, Portuguese, Russian, Simplified Chinese, Traditional Chinese, Korean)
	System Power Consumption (typ.)	ON: < 30W, SLEEP: < 0.5 W, OFF: < 0.5W
	System Power Input	110~240VAC, 50/60Hz
Mechanical Specification	Adapter Power Specifications	Internal Power Board, 110~240VAC, 50/60Hz
	Waterproof/Dustproof	N/A
	VESA Mounting	100 x 100 mm
	Side Mounting	N/A
	Hand Hoder	Stand
	Cable Management	N/A
Installation	Orientation	Landscape
	Mounting on a wall	100 x 100 mm, VESA grid
	Mounting with stand/arm	100 x 100 mm, VESA grid
	Mounting through bracket	N/A
	Extending PC/peripherals	N/A
	Dimensions Physical	613 x 444 x 240 mm(w/stand)
	Dimensions Packing	700 x 455 x 140 mm
	Net Weight	3.9 kg
Environment	Gross Weight	5.1 kg
	Operating Temperature	0°C ~ 40°C
	Operating Humidity	10% to 85% (non-condensing)
	Storage Temperature	-20 ~ 60 °C
Certificate	Storage Humidity	5% to 80% (non-condensing)
	Certificate	CB 62368/BSMI/CCC/CE/FCC
Warranty	Warranty	2-year (1-year for LCD panel)

Dimensions

Unit: mm



Ordering Information

Part Number	Description	Packing List
MNT-3270-FD30BA-V0	Advantech 27" Full HD Monitor, VGA/HDMI/DP (incl. Japan, Korea, Australia, and Middle East Power Cord)	<ul style="list-style-type: none"> ▪ Power Cord (1.5M, Black) ▪ VGA Cable (1.5M, Black) ▪ HDMI Cable (1.5M, Black) ▪ DisplayPort Cable (1.5M, Black) ▪ Audio Cable (1.5M, Black) ▪ Desktop Stand (Black/White housing) ▪ Startup Manual (Paper)
MNT-3270-FD30BC-V0	Advantech 27" Full HD Monitor, VGA/HDMI/DP (incl. China Power Cord)	
MNT-3270-FD30BX-V0	Advantech 27" Full HD Monitor, VGA/HDMI/DP (incl. Europe, Taiwan, UK and US Power Cord)	