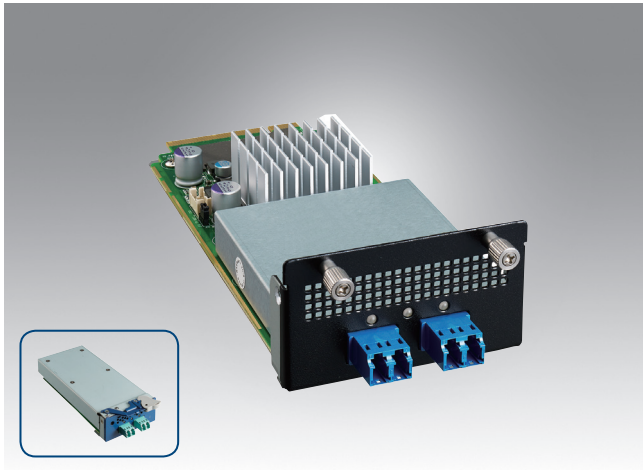


NMC-1008

4 Ports 1GbE Fiber Bypass Network Management Card




Features

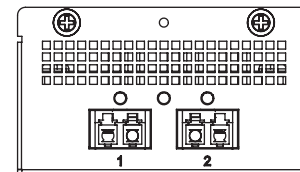
- 1x Intel 82599ES
- 2 ports fiber LC (SR or LR) fiber connector with fiber bypass module
- 1x PCIe x8, Gen2
- Lan Bypass model (Advanced LAN Bypass-Bypass, Normal, Disconnect mode)
- RoHS compliant



Specifications

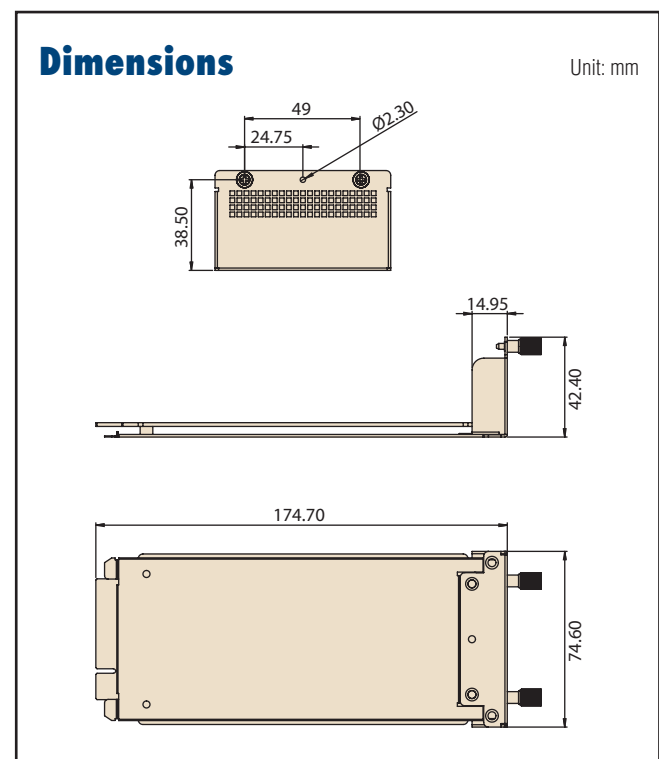
| | |
|-----------------------------|---|
| Controller | 1x Intel 82599ES |
| Interface | 1x PCIe x8, Gen2 |
| Speed | 10GbE |
| Port | 2x fiber connector with fiber bypass module |
| LAN LED definition | <p>Link / Act LED (Right/Left): Link: Green on Active: Green Blinking</p> <p>Bypass LED: (Middle): LAN Bypass: Amber on Disconnect: Amber blinking Connect: N/A</p>  |
| Advanced Software Features | <p>Teaming support</p> <p>IEEE 802.3ad</p> <p>IEEE 802.1Q VLANs</p> <p>IEEE 802.3 2005 flow control support</p> <p>Interrupt moderation</p> |
| OS Support | <p>Windows® Server 2012 R2, 2012, 2008 R2 X86-64</p> <p>Linux RedHat EL 6.5 and 7.0 IA-32, X86-64, and IA-64</p> <p>Linux SuSE SLES 11 SP3 and 12 IA-32, X86-64, and IA-64</p> <p>FreeBSD 9 and 10 IA-32, X86-64, and IA-64 UEFI 2.1 and 2.3 X86-64 and I-64</p> <p>VMware ESXi 5.1, ESXi 5.5 and ESXi 6.0 X86-64</p> |
| Operating Conditions | <p>Operation: -5 ~ 45°C</p> <p>Storage: -20 ~ 60°C</p> |
| Power Voltage & consumption | <p>+12V ± 10%</p> <p>15W</p> |
| Dimension (mm) | 74.6 x 42.4 x 174.7mm |
| Compliance | CE/FCC |

Front Panel Diagram



Dimensions

Unit: mm



Ordering Information

| Part Number | Description |
|-------------------|--|
| NMC-1008-000110E | 2 Ports 10G LC(SR) Latch with Advanced Bypass |
| NMC-1008-000111E | 2 Ports 10G LC(LR) Latch with Advanced Bypass |
| NMC-1008-02FBSSA2 | 2 Ports 10G LC(SR) Thumbscrew with Advanced Bypass |
| NMC-1008-02FBLSA2 | 2 Ports 10G LC(LR) Thumbscrew with Advanced Bypass |