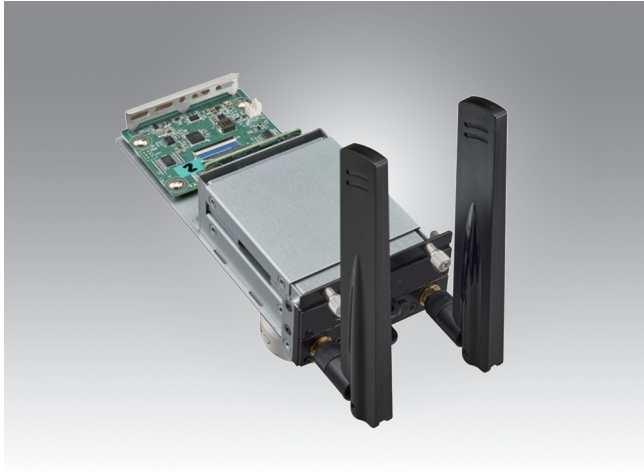


NMC-R014TN

4G/LTE Wireless WAN Module



Features

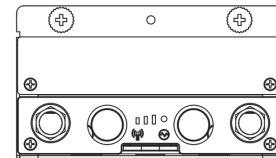
- 4G/LTE CAT-12 Radio Frequency module kit compatible with corresponding FWA Series Network Appliance platforms
- 2 x SIM Card slots and 2 x 4G LTE Antenna
- System Compatibility: FWA-1013, FWA-3051



Specifications

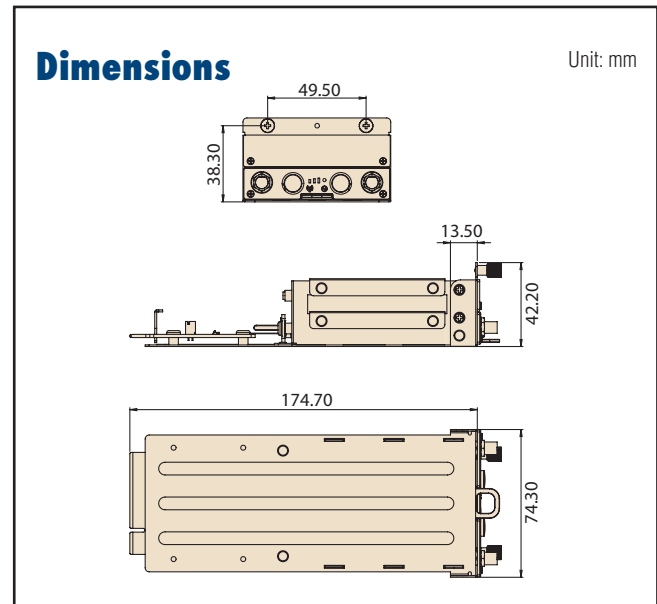
Chipset	Telit LN920Ax-WW
Frequency Bands	LTE: Cat-12 LTE Bands: 1, 2, 3, 4, 5, 7, 8, 12, 13, 14, 17, 18, 19, 20, 25, 26, 28, 29, 30, 38, 39, 40, 41, 42, 43, 48 (CBRS), 66, 71
Host Interface	PCIe x8, Gen2
Antenna	2 x SMA Antenna connectors to support 2x Dipole Antennas
SIM Socket	2 x SIM sockets
LAN LED definition	Signal Strength LEDs: Excellent : 3 x Green light on Good : 2 x Green light on Fair : 1 x Green light on Link/Act LED: Link: Green on Activity: Green blanking
Operating Temperature (Air flow 0.7 m/sec)	0°C ~ 40°C (23°F~113°F) with system
Storage Temperature	-20°C ~ 65°C (-4°F~149°F)
Storage Humidity	5 ~ 85 % @ 60 °C (140 °F)
Dimension (W x H x D)	74.3 x 42.2 x 174.7mm
Weight	400g
Certification	CE / FCC

Front Panel Diagram



Dimensions

Unit: mm



Software Specification & Features

Item	Specification / Feature
OS support	Ubuntu 22.04

Ordering Information

Part Number	Description
NMC-R014TN-12A1	NMC-R01 with CAT12 LTE RF module

I/O Drawing

