

NVS-501

High Performance Video Recorder with PoE++Switch



Features

- Built in high power 802.3at PoE+ Switch for all 16 or 24 ports
- 10/100/1000 Base uplink port
- Supports Intel up to 9th Gen Core™ I processor with Intel QM370chipset
- Supports up to two 260-pin SO-DIMM up to 64GB DDR4 2666 SDRAMbased on different CPU platform
- Supports RAID 0,1,5,10
- Supports two M.2 2280 SATA SSD for OS storage and backup
- Features USB 3.0 & USB 2.0
- Supports two display of HDMI 2.0 x 2
- Extra PCIe M.2 M Key slot for user's extended application
- Support IPMI (option)

Introduction

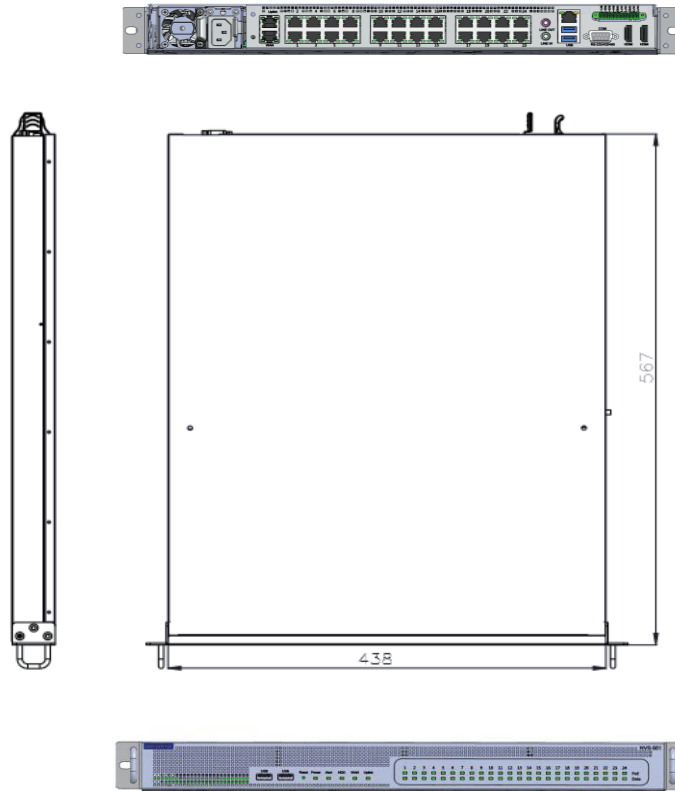
NVS-501, up to 9th generation Intel core based professional NVR, combines server, network switch and camera power supply (PoE+) into one system. It embedded 16 to 24 ports of PoE Lan for camera links with high power budget, and also supports up to four 3.5" HDD up to 32TB storage capability. NVS-501 can be perfectly applied to diversified usage cases such as banking, retail, healthcare, buildingsurveillance as well as middle to large floor size of hypermarket.

Specifications

Model	Part Number	NVS-501-16P	NVS-501-24P	
System	Processor	Up to 9th Gen. Intel Core i7*		
	Chipset	QM370		
	Base Frequency	2.7GHz~4.4GHz		
	L3 Cache	9M		
Storage	Memory	Support 2pcs DDR4 SO-DIMM, up to 64GB		
	SATA HDD	2.5" or 3.5" HDD x 4		
	SATA SSD	M.2 2280 SSD x 2 (for OS storage)		
	PCIe SSD	M.2 2280 SSD x 1		
Front Panel	USB 2.0	2		
	LED Indicator	Power	1	
		Alert	1	
		HDD	1	
		WAN	1	
		Uplink	1	
		PoE	16	24
		Data Link	16	24
Rear I/O Panel	USB 3.0	2		
	PoE Port	802.3at (10/100)	16	24
		Total Power	240~480W	360~720W
	Combo Uplink	Gigabit Ethernet	2	
	IPMI (Option)	1		
	Serial	RS-232/422/485 (BIOS Control)		
	DIO	4 in 2 out		
	Line-In	1		
Line-out	1			
Mechanical	Dimensions (W x L x H)	438 x 567 x 44.5 mm (1U)		
Power Management	Input	100~240 V _{AC}		
	Output	Voltage	54V	
		Wattage	300~920W	
Environment	Temperature	Operation	0 to 40 °C	
		Storage	-20 to 70 °C	
	Humidity	Operation	20% to 90 % RH	

Dimensions

Unit: mm



Ordering Information

Part Number	Product Description
NVS-501-24P	Intel Core i7-9850HE ,Intel Q370 chipset, AC 920W PSU, 2 x 128G SATA SSD, 1 x 8G DDR4 SO-DIMM, 24ports PoE+ NVR
NVS-501-16P	Intel Core i7-9850HE ,Intel Q370 chipset, AC 600W PSU, 2 x 128G SATA SSD, 1 x 8G DDR4 SO-DIMM, 16ports PoE+ NVR

Optional PSU

Part Number	Product Description	Watt
TBD	CRPS Module A/D 100-240V 300W POE 54V	300W
TBD	CRPS Module A/D 100-240V 600W POE 54V	600W
XAVI-UP9201R-0153G	CRPS Module A/D 100-240V 920W POE 54V	920W
TBD	CRPS Module A/D 100-240V 1200W POE 54V	1200W (110V@1000W; 220V@1200W)
TBD	CRPS Module A/D 100-240V 2000W POE 54V	2000W (110V@1000W; 220V@2000W)

*Note: Default with Intel Core i7, 8G DDR4 SO-DIMM*1

*Note: CPU, memory, storage, power supply and operating system bundled by request, different part number will be provided.