

PAX-127 Series

27" FHD Surgical Monitor



Features

- Widescreen 27" 1920x1080 resolution
- Optional 10-point touch function
- Gamma and DICOM calibrations
- Compliant with EN60601-1 MDR, EN60601-1-2 medical EMC and CCC certified



Introduction

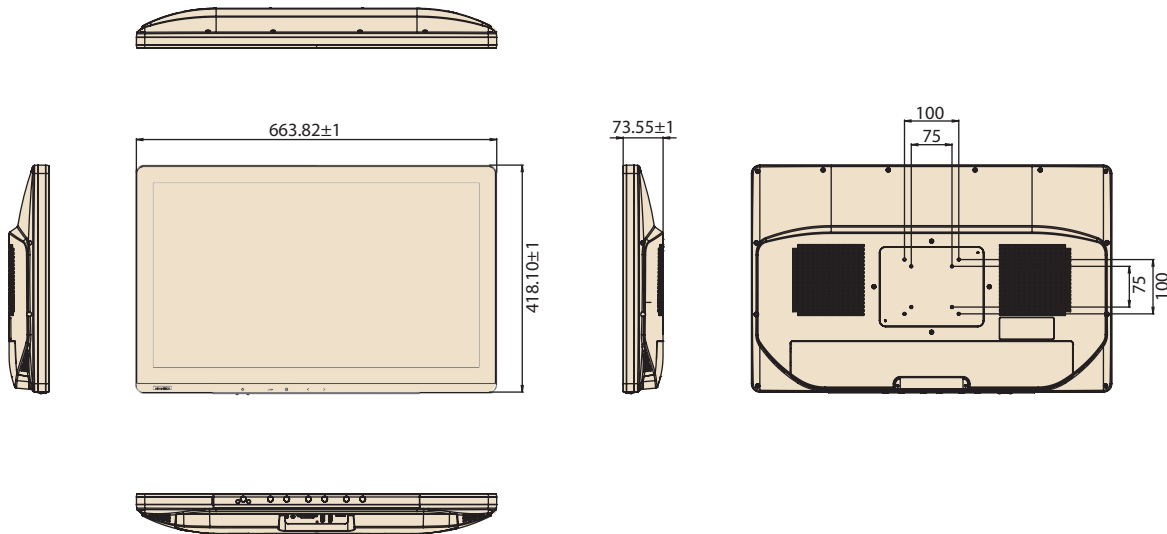
PAX-127 is a versatile monitor with touch panel option. Suitable for applications in hospitals and clinical practice. With wipe clean surfaces and medical EMC compliance is ideal for equipment integrators.

Specifications

LCD	Resolution	1920 x 1080	
	Aspect Ratio	16:9	
	Pixel Pitch	0.3114 x 0.3114 mm	
	Viewing Angle	178°/ 178°	
	Contrast Ratio (Typ.)	1000:1	
	Native Luminance (Typ.)	300cd/m ² (Typical), 200±7 cd/m ² (DICOM calibrated)	
	Color Depth	8-bit 16.7M Colors	
	Display Mode	IPS	
	Response Time	14ms (Tr + Tf)	
	Touchscreen	OPTIONAL	10-point PCAP
Backlight	LED		
Input	DP 1.2 Input	DP Jack x 1	DisplayPort 1.2, 1920 x 1080 @ 60Hz max.
	HDMI 1.4 Input	HDMI Jack x 1 (Type A)	Digital RGB: TMDS, 1920 x 1080 @ 60Hz max.
	DVI Input	DVI Jack x 1	Digital RGB: TMDS, 1920 x 1080 @ 60Hz max.
	Stereo Mic	3.5mm Audio Jack x 1	
	DC Power Input	4-pin DIN Jack x 1	DC 12V, 2.53A Max
Output	HDMI 1.4 Output	HDMI Jack x 1 (Type A)	Digital RGB: TMDS, 1920 x 1080 @60Hz max. loop out
	Stereo Mic	3.5mm Audio Jack	
	USB UP	USB-B	
	Internal Speakers	2x3W	
	USB 2.0	2 ports	
Environment	Temperature	Operational	0 ~ 40 °C
		Storage	-20 ~ 60 °C
	Humidity	Operational	Ta = 40 °C, 90% RH non-condensed
		Storage	5 ~ 90%
	Pressure	Operational	500 hPa to 1013 hPa
		Storage	500 hPa to 1013 hPa
Power	Rating	DC 12V, 2.53A	
	Consumption (Typ.)	25.3W max.	
Physical Characteristics	IP Ratings VESA Mount	Front IP65 / Top IPX1 100 x 100; 75 x 75 mm	
	Dimension (W x D x H)	663.83 x 73.55 x 418.11 mm	
	Weight	8.9kg max	
Certifications	CE MDR (EN60601-1; EN60601-1-2), RoHS II, CCC		
Warranty	3 Years		
Accessories	Adapter		

Dimensions

Unit: mm



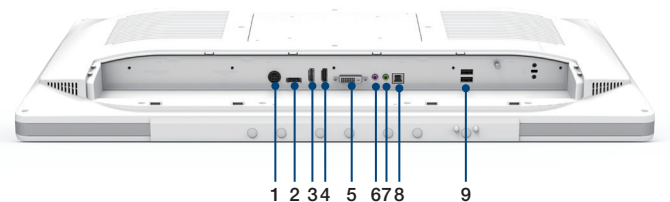
Ordering Information

SKU	Specification
PAX-127-C2A-LAG	AG Touch Panel
PAX-127-C2A-LAH	AG Glass

Power Cord List

Part No.	Description
1700019146	Power Cord (China) 3P 2.5A 250V 1.83M
170203183C	Power Cord (EU) 3P 2.5A 250V 1.83M
1700001524	Power Cord (USA) 3P 10A 125V 1.83M
170203180A-01	Power Cord (UK) 3P 2.5A 250V 1.83M
1700008921	Power Cord (Japan) 3P 7A 125V 1.83M
1700025113-11	Power Cord (India) 3P 2.5A 250V 1.8M
1700021375-01	Power Cord (Taiwan) 3P 2.5A 125V 2.5M
1700018553	Power Cord (Australia) 3P 2.5A 250V 1.83M

I/O Ports



1. DC Input
2. DisplayPort
3. HDMI IN
4. HDMI OUT
5. DVI
6. Analogue Audio IN
7. Analogue Audio OUT
8. USB UP
9. USB 2.0 x 2

I/O Cover Design

For neat and hygienic cable management



Recommended Mounting Solution

Model Name	ARES-2423R	
Part Number	ARES-2423R-A741L00	ARES-2423R-A741L01
Photo		
Max. Support Weight	6 - 12kg	
Max. Support Panel Size	≤ 27"	
VESA Information	75 x 75 mm 100x100 mm	

For more information, please click this link: <https://bit.ly/3T7dLMR>