

PAX-324

24" FHD Surgical Monitor



Features

- True Flat Design with AR Filter
- High Brightness and High Contrast Ratio
- FHD Resolution (1920 x 1200)
- HDMI 2.0, DP 1.2, DVI, RGB Support Up to 1920 x 1200 @ 60 Hz
- SDI Support Up to 1920 x 1080 @ 60Hz
- Multi-Standard Video System Supported: NTSC, PAL, SECAM
- Video Enhancement features including:
 - 14-bit LUT processing
 - DICOM Part 14 GSDF Compliant
 - DICOM, Clear, Blue modes support
- Optional upgrade to IP-based monitor with AVAS
- Variable Gamma and DICOM (Color Temp) mode
- Variable Multi-Picture display mode

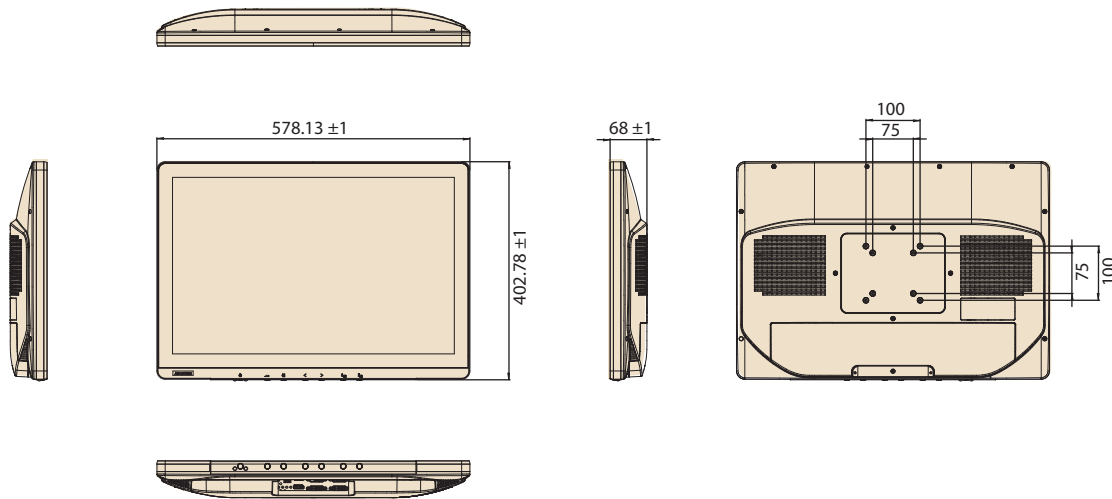


Specifications

		PAX-324-C2B-NAS PAX-324-C2B-NAR PAX-324-C2F-NAS	PAX-324-C2B-HAS PAX-324-C2B-HAR PAX-324-C2F-HAS
LCD	Screen Size	24.07" (518.4 x 324.0 mm)	
	Resolution	1920 x 1200	
	Aspect Ratio	16:10	
	Pixel Pitch	0.270 x 0.270 mm	
	Viewing Angle	178° / 178°	
	Contrast Ratio (Typ.)	1000 : 1	
	Native Luminance (Typ.)	350 cd/m ²	900 cd/m ²
	Color Depth	8-bit 16.7M Colors	10-bit 1.07B Colors
	Display Mode	AH-IPS	AHVA
	Response Time	14ms (G to G)	14ms (Tr + Tf)
	Touchscreen	Optional 10-point PCAP	
Input	DP 1.2 Input	DP Jack x 1	DisplayPort 1.2, 1920 x 1200 @ 60 Hz max.
	HDMI 2.0 Input	HDMI Jack x 1 (Type A)	Digital RGB: TMDS, 1920 x 1200 @ 60 Hz max.
	DVI Input	DVI Jack x 2 (Type D)	Digital RGB: TMDS, 1920 x 1200 @ 60 Hz max.
	SDI1 Input	BNC Jack x 1	Serial Input Common Mode: 2.2 Vp-p (75 Ω); 1920 x 1080 @ 60 Hz max.
	S-Video Input	Mini DIN Jack x 1 (4-pin)	Y: 1 Vp-p (75 Ω), C: 0.286 Vp-p (75 Ω) [NTSC] Y: 1 Vp-p (75 Ω), C: 0.300 Vp-p (75 Ω) [PAL / SECAM]
	Video Input	BNC Jack x 1	1 Vp-p (75 Ω) [NTSC / PAL / SECAM]
	USB Up	USB-B Jack x 1	For Optional Touchscreen
	RS-232C	Mini DIN Jack x 1 (8-pin)	Service Port
	DC Power Input	DC Jack x 1	DC 24 V, 4.16 A
Optional Input	RGB Input	D-sub x 1	PAX-324-C2B-NAS, PAX-324-C2B-HAS, and PAX-324-C2B-HAR, PAX-324-C2B-NAR
	Audio Input	Audio Jack x 1	
	AVAS NDcoder	SFP+ Module x 1 LAN RJ-45 Jack x 1	PAX-324-C2F-HAS, PAX-324-C2F-NAS
	SDI2 Input	BNC Jack x 1	By Request Only
Output	DVI Output	DVI Jack x 2 (Type D)	Digital RGB: TMDS, 1920 x 1200 @ 60 Hz max.
	SDI1 Output	BNC Jack x 1	Serial Input Common Mode: 2.2 Vp-p (75 Ω); 1920 x 1080 @ 60 Hz max.
	S-Video Output	Mini DIN Jack x 1 (4-pin)	Y: 1 Vp-p (75 Ω), C: 0.286 Vp-p (75 Ω) [NTSC] Y: 1 Vp-p (75 Ω), C: 0.300 Vp-p (75 Ω) [PAL / SECAM]
	Video Output	BNC Jack x 1	1 Vp-p (75 Ω) [NTSC / PAL / SECAM]
Optional Output	DC Power Output	DC Jack x 1	DC 5 V or DC 12 V
	Audio Output	Audio Jack x 1	PAX-324-C2B-NAS, PAX-324-C2B-HAS, and PAX-324-C2B-HAR, PAX-324-C2B-NAR
	SDI2 Output	BNC Jack x 1	By Request Only
Environment	Temperature	Operational	0 ~ 40 °C
		Storage	-20 ~ 60 °C
	Humidity	Operational	Ta = 40 °C, 90% RH non-condensed
		Storage	5 ~ 90%
	Pressure	Operational	500 hPa to 1013 hPa
		Storage	500 hPa to 1013 hPa
Power	Rating	DC 24 V, 4.16 A max.	
	Consumption (Typ.)	67.2 W max.	
Physical Characteristics	IP Ratings	Front IP65 / Top IPX1	
	VESA Mount	100 x 100; 75 x 75 mm	
	Dimension (W x D x H)	578.13 x 68 x 402.78 mm	
	Weight	7.85Kg max	
Certifications	CE MDR (EN60601-1; EN60601-1-2), RoHS II		
Warranty	3 Years		
Accessories	Power Adapter		

Dimensions

Unit: mm



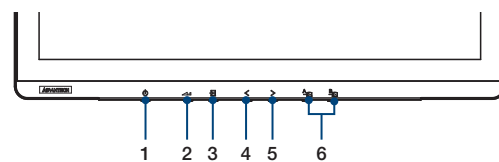
Ordering Information

Part Number	Brightness	Optional	Touchscreen	Weight
PAX-324-C2F-NAS	350 cd/m ²	AVAS	-	7.55 kg
PAX-324-C2B-NAS	350 cd/m ²	RGB/Audio	-	7.20 kg
PAX-324-C2B-NAR	350 cd/m ²	RGB/Audio	PCAP	7.20 kg
PAX-324-C2B-HAS	900 cd/m ²	RGB/Audio	-	7.50 kg
PAX-324-C2B-HAR	900 cd/m ²	RGB/Audio	PCAP	7.50 kg
PAX-324-C2F-HAS	900 cd/m ²	AVAS	-	7.85 kg

Optional Items

Part Number	Description
1702002605	Power Cord (Europe) 1.8M
1702002600	Power Cord (USA) 1.8M
1700018704	Power Cord (UK) 1.8M
XKT-HPU101-P09B139	Power Adapter AC/DC 100-240V 100W 24V DIN 4PIN MEDICAL

Front Function Keys



1. POWER button/indicator
2. ENTER/MENU button
3. EXIT/INPUT button
4. LEFT button
5. RIGHT button
6. PiP INPUT select buttons
 - A. Main input
 - B. Sub input