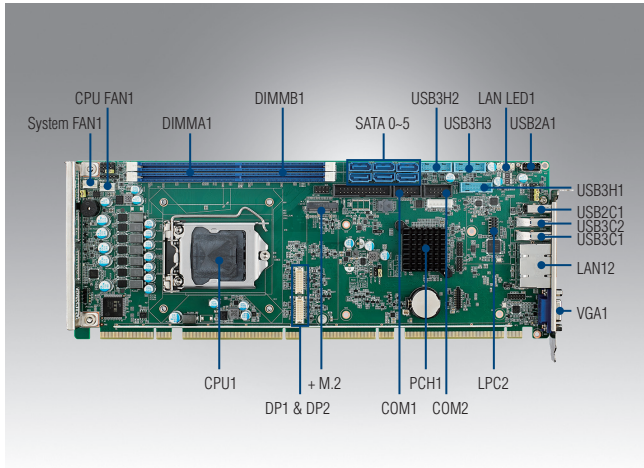


PCE-7132

LGA1200 10th Generation Intel® Xeon® W/Core™ i9/i7/i5/i3/Pentium® System Host Board with DDR4, SATA 3.0, USB 3.2, M.2, Dual GbE, and Triple Displays



Features

- Intel® Xeon® W Family/Core™ i9/i7/i5/i3 LGA1200 processor with W480E chipset
- Up to 64 GB of dual-channel (non-ECC) DDR4 2666/2933 MHz
- PCIe 3.0, M.2, USB 3.2, SATA 3.0, and SW Raid 0, 1, 5, 10
- Supports VGA and 2 x DVI-D/DP display (with optional cable)
- Supports out-of-band remote management with AMT
- Supports Advantech's LPC modules, SUSI 4.0, and embedded software APIs

Note: Legacy platform is not supported.

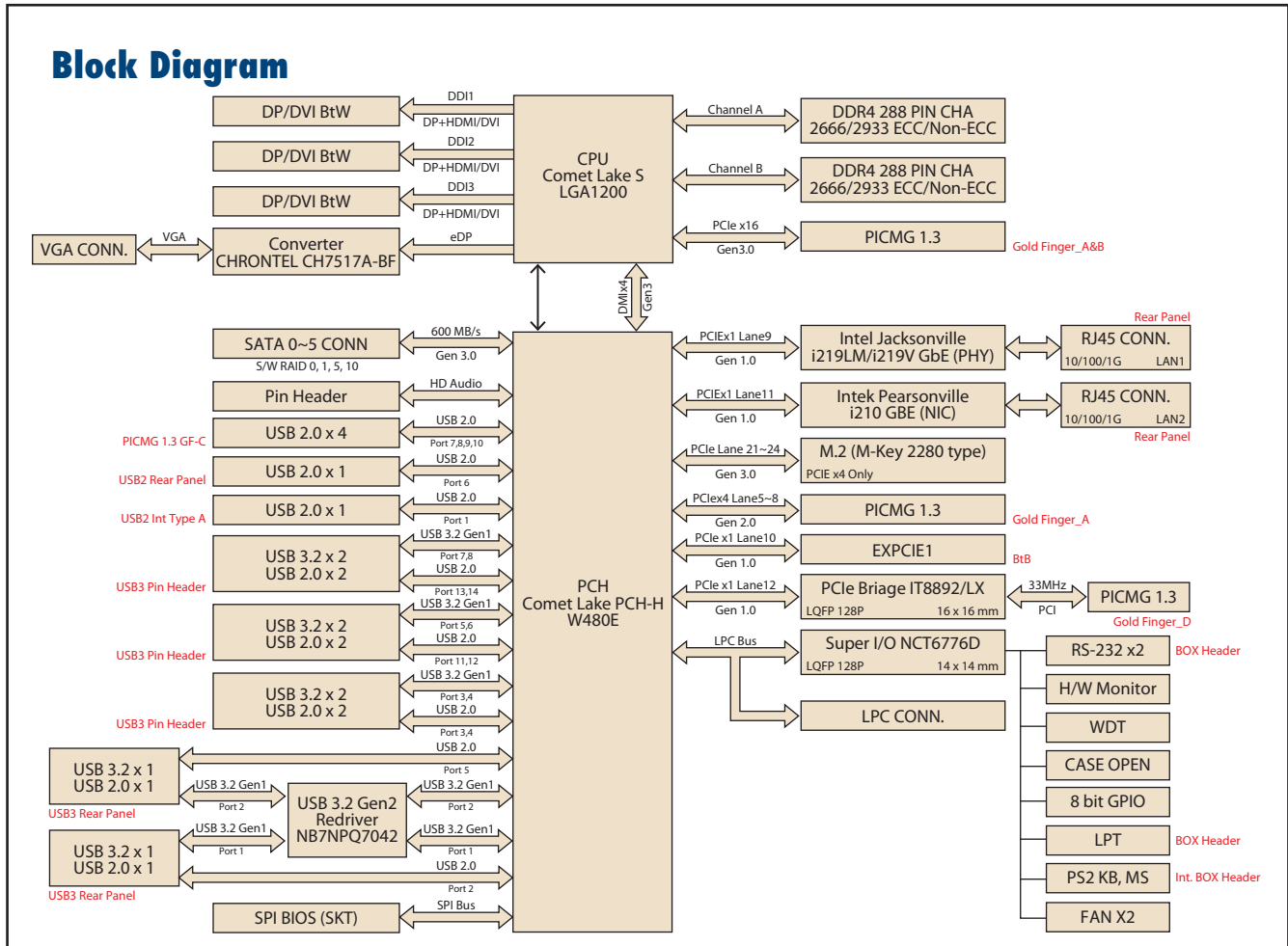
Quiet

CE FCC

Specifications

Processor System	CPU	i9-10900K	W-1290E	W-1290TE	W-1270E	W-1270TE	W-1250E	W-1250TE	i9-10900E	i9-10900TE	i7-10700E	i7-10700E
	Speed	3.7GHz	3.50GHz	1.80GHz	3.40GHz	2.00GHz	3.50GHz	2.40GHz	2.80GHz	1.80GHz	2.00GHz	2.90GHz
	L3 Cache	20MB	20MB	20MB	16MB	16MB	12MB	12MB	20MB	20MB	16MB	16MB
	Cores	10	10	10	8	8	6	6	10	10	8	8
	TDP	125W	95W	35W	80W	35W	80W	35W	65W	35W	35W	65W
	SKU/Chipset	Intel® W480E										
Processor System	BIOS	AMI® SPI Flash 256 Mbit										
	CPU	i5-10500E		i5-10500E	i5-10500TE	i3-10100E	i3-10100TE					
	Speed	3.10GHz		3.10GHz	2.30GHz	3.60 GHz	2.30GHz					
	L3 Cache	12MB		12MB	12MB	6MB	6MB					
	Cores	6		6	6	4	4					
	TDP	65 W		65W	35W	65W	35W					
Bus	SKU/Chipset	Intel® W480E										
	BIOS	AMI® SPI Flash 256 Mbit										
Bus	PCI-Express	1 x PCIe x16/2 x PCIe x8 and 1 x PCIe x4 to backplane										
	PCI	4 x PCI master to backplane, 32-bit, 33 MHz										
Memory	Technology	Dual-channel (non-ECC) U-DIMM DDR4 2666/2933 MHz (supports x8 DDR4 1024 M) (Note: Intel ECC-supported processor must be selected to enable ECC function)										
	Max. Capacity	Up to 64GB (based on CPU)										
	Socket	2 x DDR4 288-pin DIMM										
Graphics	Controller	Chipset integrated with Intel® HD Graphics										
	VRAM	Shared system memory is subject to OS										
	VGA	Supports resolutions of up to 2048 x 1152 pixel @ 60 MHz										
	DVI-D	Supports resolutions of up to 1920x 1200 @ 60 MHz										
	Display Port	Supports resolutions of up to 4096 x 2160 @ 60 MHz										
Ethernet	Triple Display	VGA+DP/DVI-D+DP/DVI-D										
	Interface	10/100/1000 Mbps										
Rear I/O	Controller	LAN 1: Intel® I219-LM LAN 2: Intel® I210-AT										
	Connector with LED	2 x RJ45										
	USB 3.2 Gen2	2										
Internal Connector	USB2.0	1										
	Ethernet	2										
	VGA	1										
	USB	5 x USB 2.0 (1 USB Type A + 4 on backplane), 6 x USB 3.2										
	SATA (SW Raid 0,1,5,10)	6										
	M.2 (2280 Type M)	1 (PCIe x4)										
	DP/DVI-D	2 (Pin header)										
	COM	2										
Watchdog Timer	IrDA	1										
	GPIO	8bit										
Miscellaneous	Output	System reset										
	Interval	Programmable 1-255 sec										
Power Requirement	Audio	Intel® High Definition audio interface (requires audio extension module PCA-AUDIO-HDB1E)										
	Test Environment	Intel W-1290E, Memory 2* DDR4 2666U 32GB										
	Voltage	+3.3V, +5V, +12V										
Environment	Current	1.15A, 1.54A, 1.38A										
	Operating											
	Temperature	0 ~ 60 °C (dependent on CPU and cooler solution)										Non-Operating
Physical	Humidity	40 °C @ 85% relative humidity (non-condensing)										-40 ~ 85 °C
	Dimensions (L x H)	338 x 122 mm (13.3" x 4.8")										60 °C @ 95% relative humidity (non-condensing)

Block Diagram



Ordering Information

Part Number	PCH	Memory	Backplane	LAN	VGA	DP/DVI-D	COM	SATA III	M.2	USB 2.0	USB 3.1 (Gen1)	USB3.1 (Gen2)	S/W Raid	AMT
PCE-7132G2-00A3	W480E	ECC/Non-ECC	PCE-5BXX PCE-7BXX	2	Yes	2*	2	6	1	6	6	2	Yes	Yes
PCE-7132G2-00A3U	W480E	ECC/Non-ECC	PCE-5BXX PCE-7BXX	2	Yes	2*	2	6	1	6	6	2	Yes	Yes

Note: DP/DVI-D cable is optional

Packing List

Part Number	Description	Quantity
1700003194	Serial ATA HDD data cable	x2
1701090401	1-port COM cable kit	x1
2190000902	Warranty card	x1
2041513200	Startup manual	x1

I/O View



PCE-7132G2-00A3
PCE-7132G2-00A3U

Optional Accessories

Part Number	Description
1960049408N001	CPU heat sink for 1U Chassis and 35W TDP
1960050255N001	CPU cooler for 2U Chassis and 95W TDP
1960052651N021	CPU cooler for 2U/4U Chassis and 80W TDP
1960067860N031	CPU cooler for 2U/4U Chassis and 125W TDP
1700002204	2-port USB 2.0 cable kit
1700028292-01	2-port USB 3.0 cable w/ BKT (30 cm)
1700031719-01	4-port USB 3.0 cable kit
1701090401	1-port COM cable kit
1701092300	2-port COM cable kit
PCE-DP10-00A1E	DP to DP cable kit
1700021831-01	DP to DVI-D cable kit
PCA-TPM-00B1E	TPM 2.0 module
PCA-AUDIO-HDB1E	Audio module
PCA-COM232-00A2	4-port RS-232 module via LPC interface
PCA-COM485-00A1E	4-port RS-422/485 module via LPC interface
PCE-SA01-00A1E	I/O extension kit (DP, USB, Audio, mini PCIe)
20706WX9HS0098	PCE-7132 win 10 embedded OS (high-end)
20706WX9VS0102	PCE-7132 win 10 embedded OS (value)
20706WX9ES0112	PCE-7132 win 10 embedded OS (entry)

* for PCE-7132/5132/5032, PCE-SA01-00A1E miniPCIe only support PCIe1 signal