

# PPC-3211SW-MART

## 21.5" Panel PC with Win 10 LTSC and Intel® Core™ i5-6300U



### Features

- 21.5" true-flat FHD TFT LCD with projected capacitive touch control
- Win 10 IOT LTSC, 8GB DDR4 SDRAM, 128GB 3D TLC SSD
- Fanless design with aluminum alloy enclosure
- Wide Range DC input (12-24V DC), Configurable RS-232/422/485
- IP65-rated front panel, Supports dual displays, VESA 100
- Supports TPM 2.0 (optional)
- No RED Certification



### Introduction

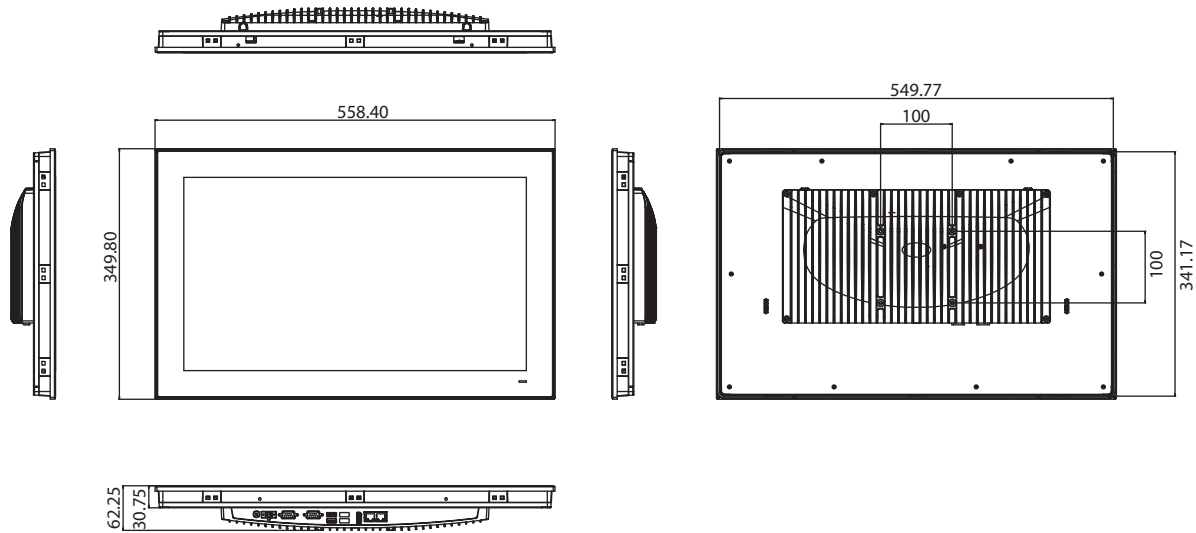
The PPC-3211SW-MART is an all-in-one light panel PC with a wide format 21.5" FHD industrial-grade LCD, Intel® Core™ i5-6300U, 8GB DDR4, 128GB SSD, 90W power adapter and Win 10 LTSC to provide high-performance computing in a compact and fanless system.

### Specifications

<b>System</b>	CPU	i5-6300U
	Cores	Dual Core
	Frequency	2.4 GHz; 3.0 GHz with turbo boost
	L3 Cache	3 MB
	TDP	15W
	Memory	1 x 8GB SODIMM DDR4 2400 MHz
	Storage	1 x 128GB 2.5" 3D TLC SSD 1 x mSATA bay
	Network (LAN)	2 x 10/100/1000 Mbps Ethernet (Intel I211-AT; Intel I219LM)
	I/O	2 x Serial ports: 1 x RS-232, 1 x RS-232/422/485(Adjustable through BIOS) 2 x USB 3.0, 2 x USB 2.0 1 x HDMI 1 x TPM 2.0 internal (optional)
	Speaker	2 x 1W
Expansion	1 x Full-size mini PCIe slot	
Watchdog Timer	255 timer levels, set up by software	
<b>Physical Characteristics</b>	Dimensions	558.4 x 349.8 x 62.2 mm (21.9 x 13.7 x 2.4 in)
	Weight	6.8 kg (14.9 lb)
<b>OS Support</b>	OS Support	Microsoft® Windows 10 IOT LTSC
<b>Power Consumption</b>	Input Voltage	12 ~ 24 V <sub>DC</sub> 100-240 V <sub>AC</sub> (90W A/D adapter in the accessory box)
	Power Consumption	75W
<b>LCD</b>	Display Type	21.5" TFT LCD (LED backlight)
	Resolution	1920 x 1080
	Viewing Angle	89 (left), 89 (right), 89 (up), 89 (down)
	Luminance (cd/m <sup>2</sup> )	300
	Contrast Ratio	5000
	Backlight Lifetime	50,000 hr
<b>Touchscreen</b>	Touch Type	10-point multi-touch projected capacitive
	Light Transmission	90 % ± 3 %
	Controller	USB interface
<b>Environment</b>	Operating Temperature	0 ~ 50 °C (32 ~ 122 °F) for SSD
	Storage Temperature	-20 ~ 60 °C (-4 ~ 140 °F)
	Relative Humidity	10 ~ 95% @ 40 °C (non-condensing)
	Shock	Operating 10 G peak acceleration (11 ms duration), follow IEC 60068-2-27
	Vibration	Operating Random Vibration Test 5 ~ 500Hz, 1Grms @with HDD; 2Grms @with SSD, follow IEC 60068-2-64
	EMC	CE, FCC Class B, BSMI
	Safety	CB, UL, CCC
Front Panel Protection	IP65 compliant	

## Dimensions

Unit: mm

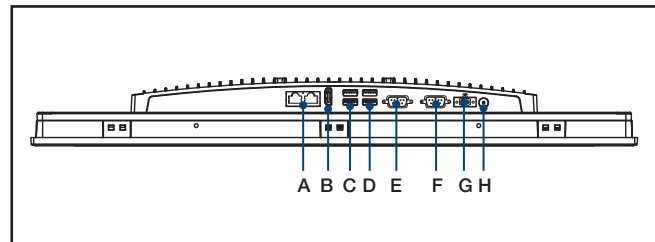


Panel Cutout Dimensions: 550.3 x 341.8 mm (21.66 x 13.45 in)

## Ordering Information

Part Number	Description
PPC-3211SW-MART	21.5" Panel PC with Win 10 LTSC and i5-6300U, 8GB DDR4, 128GB 3D TLC SSD, 90W power adapter
PPC-WLAN-C1E	M.2 Wi-Fi Module with Antenna cable support 2T2R
PPC-ARM-A03	ARM VESA Standard (A-CLEVER) for PPC series
PPC-174T-WL-MTE	Wall mount kit for PPC series
PPC-Stand-A1E	Stand for PPC series
1700001524	Power cord 3P UL 10A 125V 1.8M
170203183C	Power cord 3P Europe (WS-010+083) 183cm
1700008921	Power cord 3P/3P 1.8M PSE
96CB-POWER-B-1.8MB	Power cord 3P CCC(China) 1.8M
98R3P315100	TPM 2.0 module

## I/O View



- |                |                         |
|----------------|-------------------------|
| A. 2 x LAN     | E. COM2: RS-232/422/485 |
| B. HDMI        | F. COM1: RS-232         |
| C. 2 x USB 3.0 | G. DC-In                |
| D. 2 x USB 2.0 | H. Power Button         |

Please note: If some optional modules are offered with the system, additional system certificates may be required in certain regions/countries. Please contact Advantech for certificate compliance.