

PPC-612

12.1" Configurable Panel PC Chassis for Selectable Mini-ITX Motherboards

NEW



Features

- 12.1" true-flat panel PC with resistive touch
- Supports certified mini-ITX motherboards (up to 35W TDP processor)
- PCI or PCIe expansion slots
- Front-facing power status LED indicators
- IP66-rated front panel

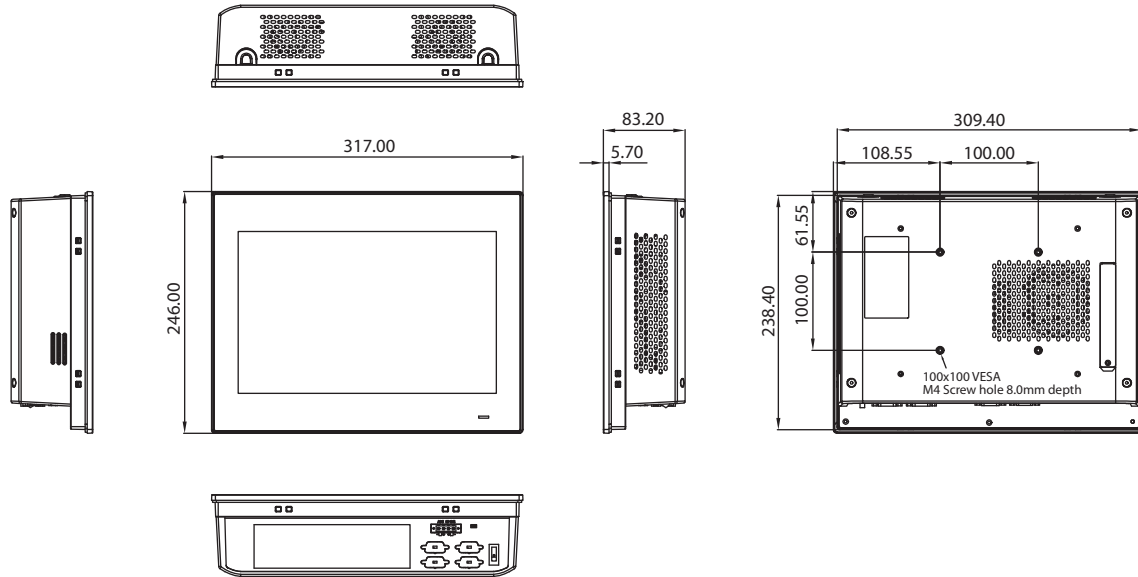


Specifications

Model	PPC-612-RTA	
Supported Motherboard	PPC-MB series	
Chassis	Storage	1 x 2.5" SATA HDD bay
	I/O	4 x Reserved ports (DB9) 2 x WLAN antenna holes
		1 x DC inlet 1 x Power switch Reserved opening: According to the PPC-MB series motherboard specifications
		Expansion
	Speaker	2 x 1 W
	Fan	2 x 12V; 50 x 50 x 20 mm (1.96 x 1.96 x 0.78 in)
Physical Characteristics	Dimensions (W x H x D)	317 x 246 x 83.2 mm (12.48 x 9.68 x 3.27 in)
	Weight	3.98kg (8.76lb)
OS Support	According to motherboard specifications	
Power Consumption	Input Voltage	24V _{DC} ± 20%
	Power Consumption	112W (Burn-in test 8.1 in Windows 10 64 bit)
LCD	Display Type	12.1" TFT LED panel
	Max. Resolution	1024 x 768
	Viewing Angle	89 (left), 89 (right), 89 (up), 89 (down)
	Luminance (cd/m ²)	600
	Contrast Ratio	1000
	Backlight Lifetime	50,000 hr
Touchscreen	Touch Type	5-wire analog resistive, with optional projected capacitive touch
	Light Transmission	80+/-5%
	Controller	USB interface
	Durability	35 million touches
Environment	Operating Temperature	0 ~ 50 °C (32 ~ 122 °F)(With 35W CPU)
		*** please refer to the PPC-MB series CPU list
	Storage Temperature	-40 ~ 60 °C (-40 ~ 140 °F)
	Relative Humidity	95% @ 40 °C (non-condensing)
	Shock	Operating: 10 G peak acceleration (11 ms duration), IEC 60068-2-27 compliant
	Vibration	Operating: Random vibration test 5 ~ 500 Hz, 2 Grms @ with SSD, IEC 60068-2-64 compliant
	EMC	CE, FCC, Class A, UKCA, VCCI
	Safety	CB, CCC, UL, UKCA
Front Panel Protection	IP66 compliant	

Dimensions

Unit: mm



Panel Cutout Dimensions: 311 x 240 mm (2.24 x 9.44 in)

Ordering Information

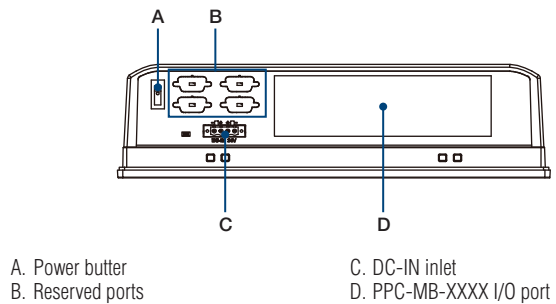
M/B Part Number	Chassis Part Number	Cooler Part Number
PPC-MB-8260B / PPC-MB-610B	PPC-612-RTA	1960060732N001
PPC-MB-620A/ PPC-MB-620B	PPC-612-RTA	1970005672T001

Note 1. The motherboard, chassis, and cooler should be ordered together to ensure easy configuration.

Optional Accessories

Part Number	Description
PPC-WLAN-D1	M.2, WiFi6 +BT5.2, 2T2R, w/Antenna, Mini PCIe adapter (only for PPC-MB-8260)
PPC-WLAN-D2	M.2, WiFi6 +BT5.2, 2T2R, w/Antenna (only for PPC-MB-6x0)
1702002605	Power cable (EU), 3-pin, 10A, 250V, 1.83M
1702002600	Power cable (USA) UL/CSA, 3-pin, 10A, 125V, 1.83M
1700000237	Power cable PSE(UK),3-pin,12A,125V,1.83M
96PSA-A150W19P4-3	Power adapter 100-240V 150W 19V
PPC-ARM-A03	ARM VESA Standard for PPC series
PPC-174T-WL-MTE	Wall mount kit for PPC series
PPC-Stand-A1E	Stand for PPC series
98R46120000	Add-on box for PCIe x4 expansion
98R46120010	Add-on box for PCI expansion
98R46120020	Add-on box for PCIe x16 expansion

I/O View



- A. Power button
- B. Reserved ports
- C. DC-IN inlet
- D. PPC-MB-XXXX I/O port

Please note: If some optional modules are offered with the system, additional system certificates may be required in certain regions/countries. Please contact Advantech for certificate compliance.