

# PPC-6151C

## 15" Configurable Panel PC Chassis for Selectable Mini-ITX Motherboards



### Features

- 15" true-flat panel PC with resistive touch
- Supports certified mini-ITX motherboards (up to 65W TDP processor)
- PCI or PCIe expansion slots
- Front-facing power status LED indicators
- IP66-rated front panel

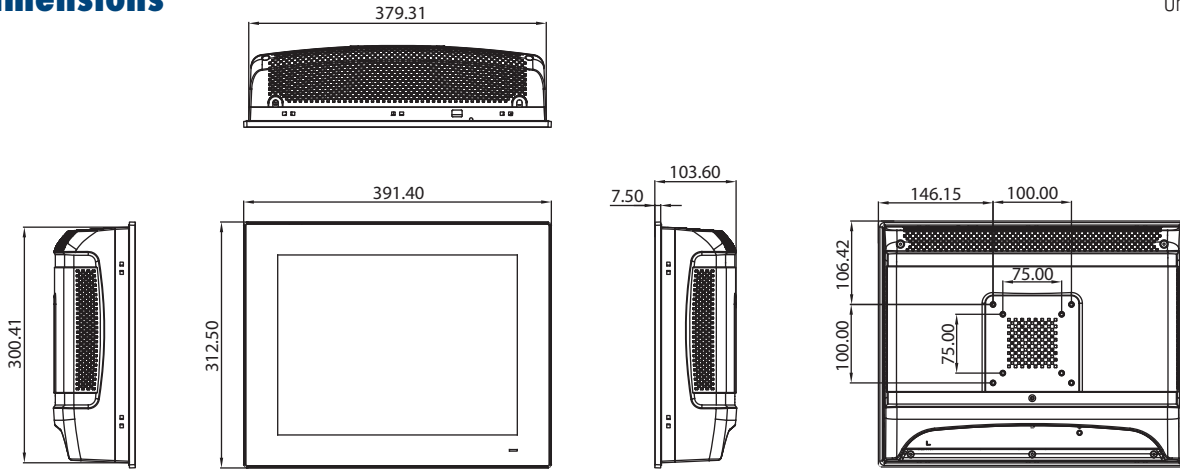


### Specifications

<b>Model</b>	<b>PPC-6151C-RTAE</b>	
<b>Supported Motherboard</b>	PPC-MB series	
<b>Chassis</b>	Storage	1 x 2.5" SATA HDD bay / 2 x 2.5" SATA HDD bay (optional)
	I/O	4 x Reserved ports (DB9) 2 x WLAN antenna holes
		1 x AC inlet 1 x Power switch Reserved opening: According to the PPC-MB series motherboard specifications
	Expansion	1 x PCIe x4 or 2 x PCI (in the accessory box), 2 x PCIe x1 (optional), 1 x PCIe x1 + 1 x PCI (optional) 2 x PCIe x8 (optional, only for PPC-MB-6x0B) 1 x PCIe x16 (optional, only for PPC-MB-6x0)
	Speaker	2 x 1 W
	Fan	2 x 12V; 60 x 60 x 15 mm (2.36 x 2.36 x 0.59 in)
<b>Physical Characteristics</b>	Dimensions (W x H x D)	391.4 x 312.5 x 103.6 mm (15.4 x 12.3 x 4.08 in)
	Weight	5.03 kg (11.08 lb)
<b>OS Support</b>	OS Support	According to motherboard specifications
<b>Power Consumption</b>	Input Voltage	100 ~ 240 V <sub>AC</sub> , 250W
	Power Consumption	162W with PPC-MB-610 135W with PPC-MB-620
<b>LCD</b>	Display Type	15" TFT LED panel
	Max. Resolution	1024 x 768
	Viewing Angle	88 (left), 88 (right), 88 (up), 88 (down)
	Luminance (cd/m <sup>2</sup> )	500
	Contrast Ratio	2500
	Backlight Lifetime	50,000 hr
<b>Touchscreen</b>	Touch Type	5-wire analog resistive, with optional projected capacitive touch
	Glass Surface	AG coating
	Light Transmission	80±5%
	Controller	USB interface
	Durability	35 million touches
<b>Environment</b>	Operating Temperature	0 ~ 50 °C (32 ~ 122 °F)(With 35W CPU) 0 ~ 45 °C (32 ~ 113 °F)(With 65W CPU) *** please refer to the PPC-MB series CPU list
		Storage Temperature
	Relative Humidity	95% @ 40 °C (non-condensing)
	Shock	Operating: 10 G peak acceleration (11 ms duration), IEC 60068-2-27 compliant
	Vibration	Operating: Random vibration test 5 ~ 500 Hz, 2 Grms @ with SSD, IEC 60068-2-64 compliant
	EMC	CE,FCC,Class A,UKCA,VCCI
	Safety	CB,CCC,UL,UKCA
	Front Panel Protection	IP66 compliant

## Dimensions

Unit: mm



**Panel Cutout Dimensions: 382 x 303 mm (15.03 x 11.92 in)**

## Ordering Information

M/B Part Number	Chassis Part Number	Cooler Part Number
PPC-MB-610B	PPC-6151C-RTAE	1960053207N001/ 1970006082S001
PPC-MB-620A/ PPC-MB-620B	PPC-6151C-RTAE	1970005354T001/ 1970006082S001

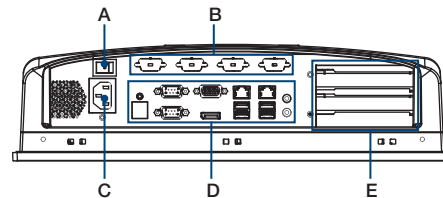
Note 1. The motherboard, chassis, and cooler should be ordered together to ensure easy configuration.  
 Note 2. The chassis is equipped with AC power supply and riser cards.

## Optional Accessories

Part Number	Description
PPC-WLAN-D2	M.2, WiFi6 +BT5.2, 2T2R, w/Antenna (only for PPC-MB-6x0)
1702002605	Power cable (EU) 90D 220 ~ 250V/6A, 1.8 M
1702002600	Power cable (US) 180D 125V/10A, 1.83 M
1702031801	Power cable (UK), 1.8 M
96CB-POWER-B-1.8MA	Power cable (China), 1.8 M
9893BE0200E	Riser card with 2 x PCIe x1 slots
9893BE03000	Riser card with 1 x PCIe x1 and 1 x PCI slots
9893BE17000	Riser card with 2 x PCIe x8 slots (only for PPC-MB-6x0B)
98R36151C20	Riser card with 1 x PCIe x16 slots (only for PPC-MB-6x0)
PPC-174T-WL-MTE	Wall mount kit for PPC series
PPC-Stand-A1E	Stand for PPC series
1700027838-11	Cable for two internal USB with I/O BKT (only for PPC-MB-6x0B)
98R36151C10	the second 2.5"SATA HDD (only one riser card slots available)
98R3P612100	TPM2.0 module for PPC-MB-610

## I/O View

### PPC-6151C-RTAE



- A. Power switch
- B. Reserved ports
- C. AC inlet
- D. PPC-MB-XXXX I/O port
- E. Expansion x 2

Note 1: The max. dimension of expansion cards supported is 178 x 107 x 40 mm.  
 Note 2: If the two slots are to be used simultaneously, the max. dimension supported is 178 x 107 x 20 mm for each PCI or PCIe expansion card.  
 Note 3: The max. power consumption of PCIe expansion card supported is 75W.  
 Note 4: If use dual HDD kits, only one riser card slots available.

Please note: If some optional modules are offered with the system, additional system certificates may be required in certain regions/countries.  
 Please contact Advantech for certificate compliance.