

PPC-715W/721W

15.6"/21.5" Pole-mounted Panel PC With customized button integrated



Features:

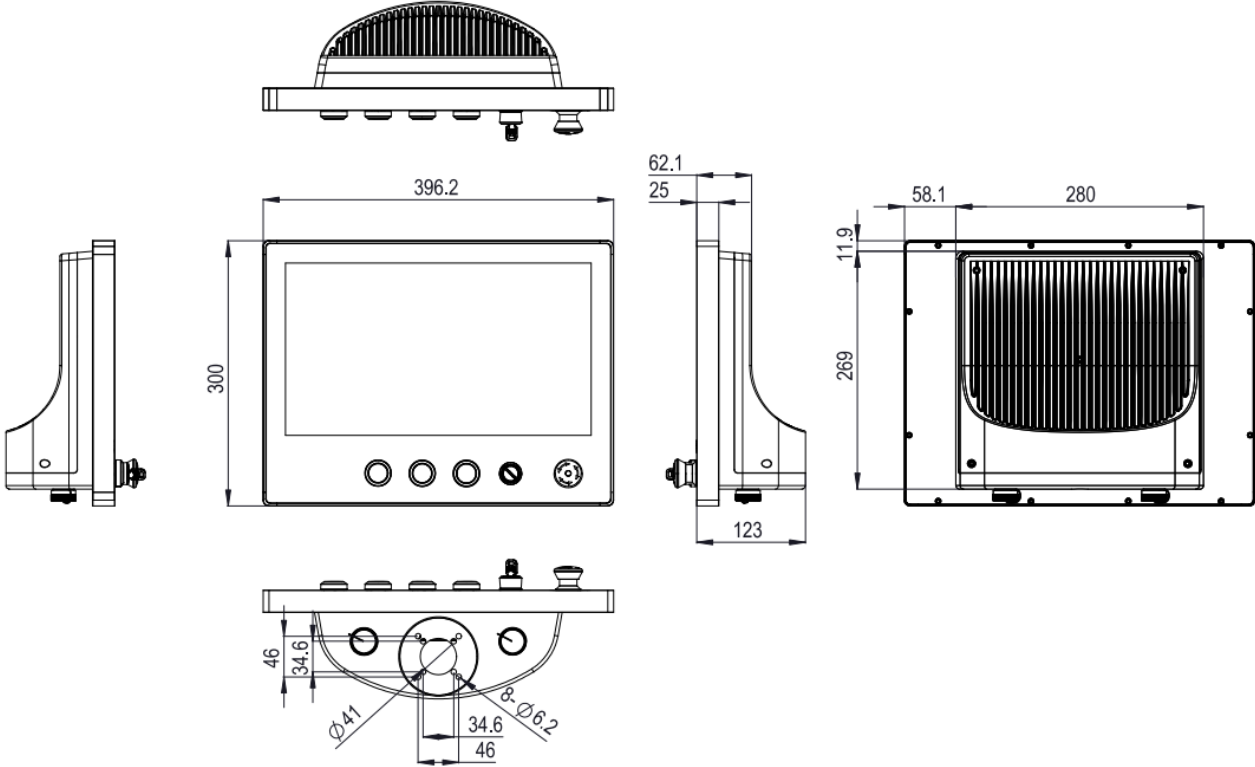
- 15.6"/21.5" Full HD LCD display with P-cap multi touch
- Customizable button-integrated front panel for industrial control
- Reliable fanless design for hush industrial environments
- Full IP65 protection for resistance to dust and water
- Support pole-mounting for compact installation
- Intel Core i processor or touch monitor selectable

Specifications:

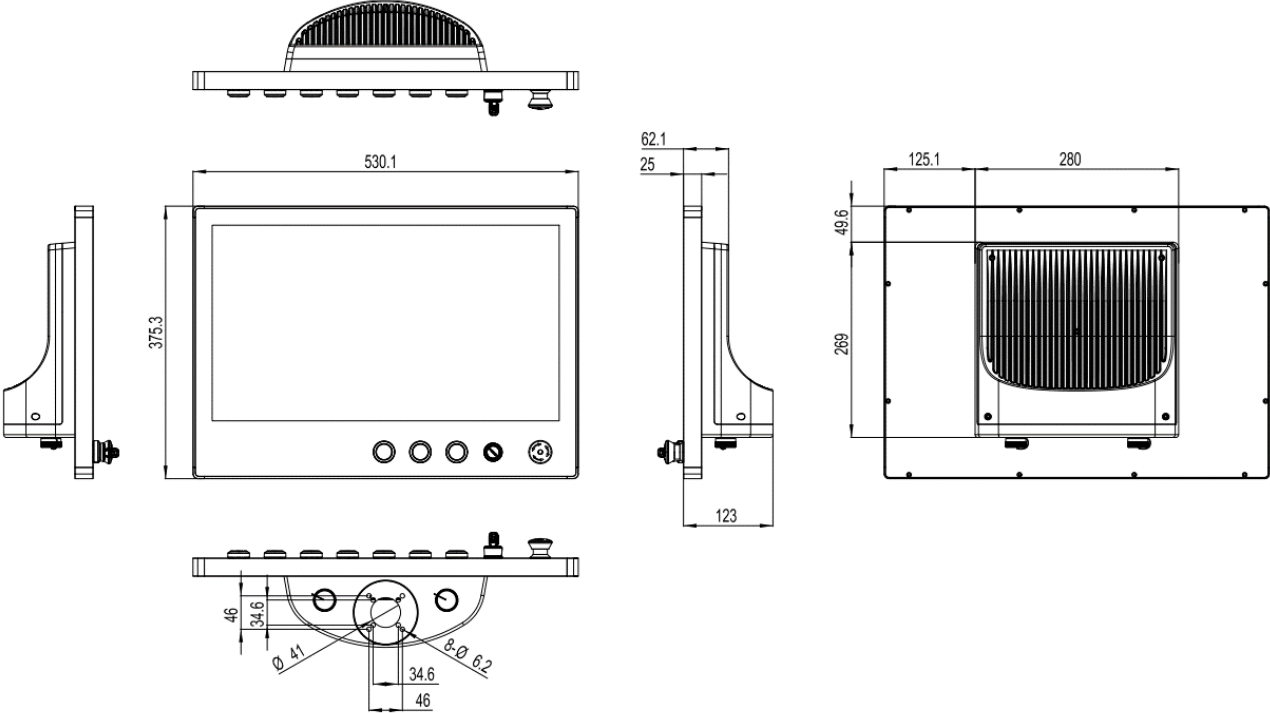
	Model	Operator Panel		Touch Monitor
		PPC-715W/721W-PCi	PPC-715W/721W-PN9	PPC-715W/721W-PT
System	CPU	i5-1235U; i3-1215U/ i7-1255U(by request)	N97	\
	Memory	1 x SODIMM DDR4 , up to 32GB	1 x SODIMM DDR5 , up to 16GB	\
	Storage	1 x 2.5" SATA SSD bay(internal) 1 x M.2 M key 2280 (SATA/PCIe x4, RAID 0,1 support)	1 x 2.5" SATA SSD bay(internal) 1 x M.2 M key 2280 (SATA/PCIe x1)	\
	LAN	2 x 1 GbE Ethernet (Intel i210)	2 x 2.5 GbE Ethernet (Intel i226)	\
	Internal I/O	2 x RS-232/422/485, 1 x DP, 2 x USB 3.0		Internal:1 x DP, 1 x HDMI, 1 x USB 2.0 for touch
	External I/O	2 x USB 2.0, 1 x power button(by request)		
	Expansion	1 x M.2 E key 2230 for WIFI(PCIe/USB 2.0)(by request)		\
	Power Input	24Vdc +/- 30%		24Vdc +/- 30%
	Power Consumption	80W/85W (Burn-in test 8.1 in Windows 10 64- bit)	45W/50W (Burn-in test 8.1 in Windows 10 64-bit)	20W/25W
	OS	OS support	Windows 10, 11, Linux	
Display	Size	15.6"	21.5"	
	Resolution	1920 x 1080	1920 x 1080	
	View angle	178° / 178°	178° / 178°	
	Luminance	350	350	
	Contrast ratio	800	1500	
Physical	backlight	50,000 hrs (Min.)	30,000 hrs (Min.)	
	Dimension	396.2 x 300 x 62.1mm	530.1 x 375.3 x 62.1mm	
	Weight	6.86kg	8.85kg	
	Mounting support	Pole mount (Supports Rittal CP 40)		
Touch	Customizable Buttons	Default: 1 x Emergency Stop, 1 x Key/Selection, 1 x Yellow Push,1 x Red Push, 1 x Green Push (Supports up to 6 x Ø22(15.6") & 9 x Ø22(21.5") buttons based on customer requirements)		
	Type	P-cap multi touch default or Resistive(by request)		
Environment	Transmission	>86% (P-cap) or 80±5% (Res.)		
	Operating Temp.	0~ 50°C for SSD		
	Storage Temp.	-20 ~ 60°C		
	Relative Humidity	95% @ 40°C (non-condensing)		
	Shock	Operating 10 G peak acceleration (11 ms duration)		
	Vibration	Operating Random Vibration Test 5 ~ 500Hz, 1Grms @with SSD,		
	Certificate	CE FCC Class B		
IP protection	IP65 all-around compliant			

Dimension:

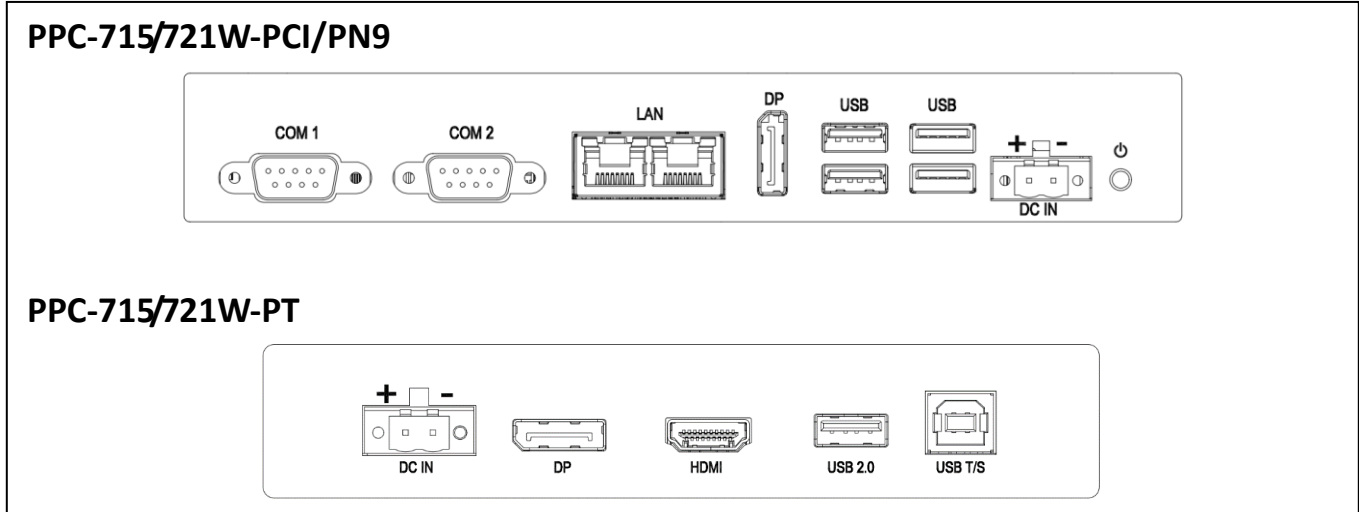
PPC-715W (15.6")



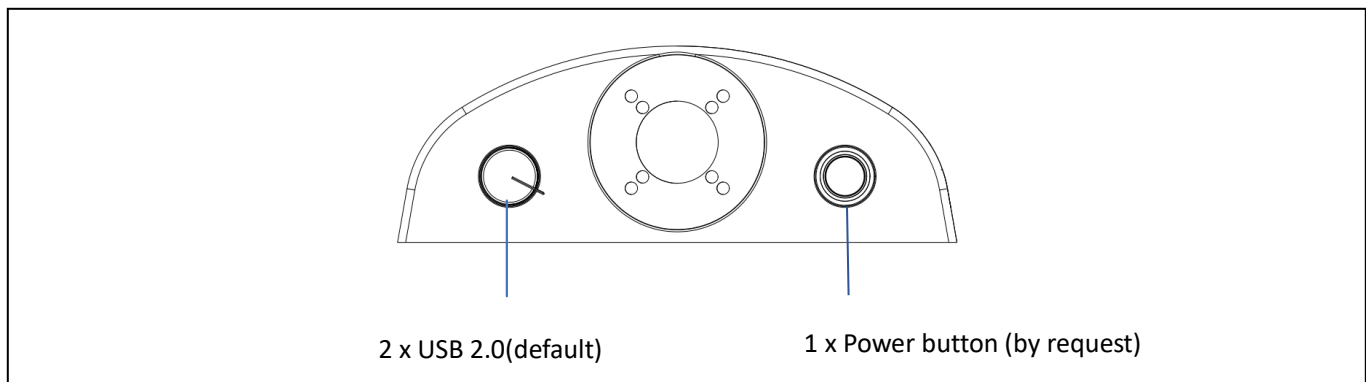
PPC-721W (21.5")



Internal IO



External IO



Push Button

Photo					
Push type	Emergency Stop	Key/Selection	Yellow Push	Red Push	Green Push
Function	2NC (NO LED)	2NO (NO LED)	2NO (24V LED)	2NO (24V LED)	2NO (24V LED)
Pin Definition					