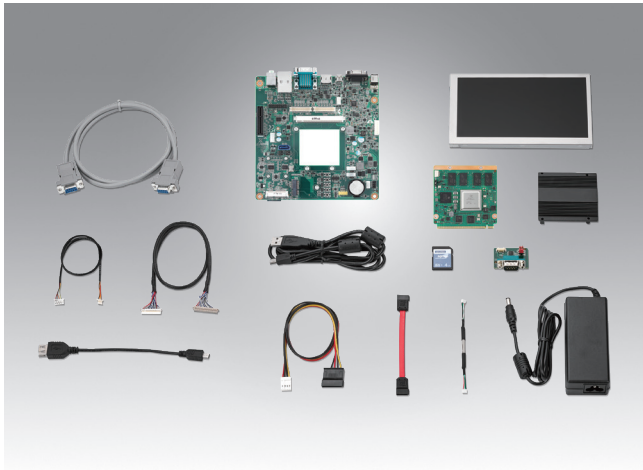


ROM-7510 Evaluation Kit

Development Kit for Qseven 2.0 CPU Module ROM-7510



Features

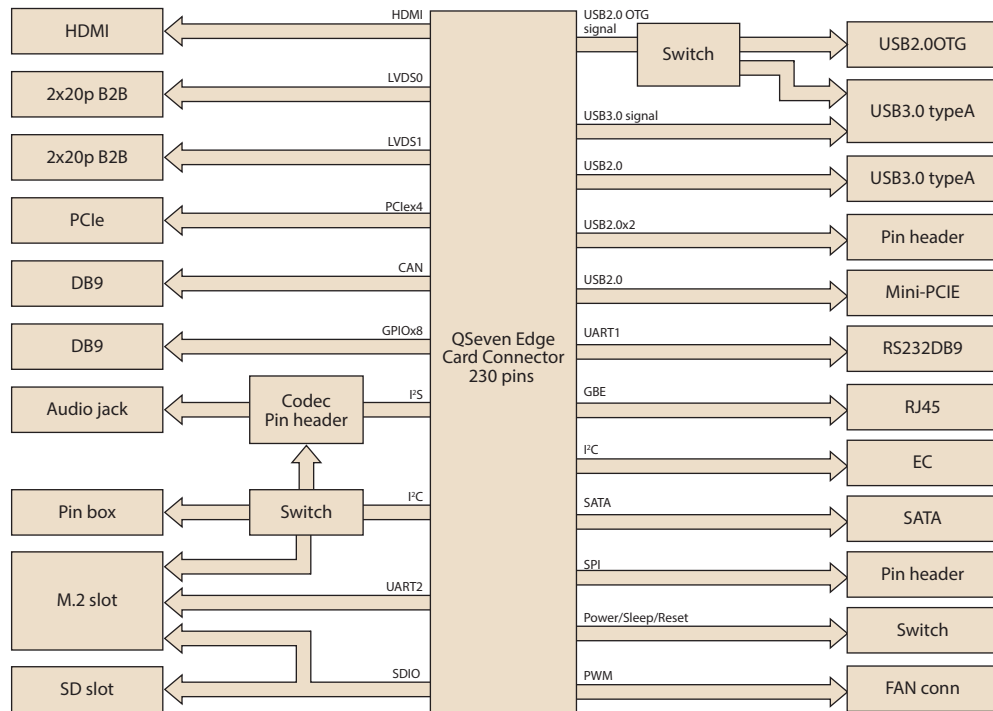
- Evaluation kit for ROM-7510
- Enhanced performance TI Sitara AM5728 Dual core cortex-A15 1.5GHz high performance processor
- Onboard DDR3 2GB memory and eMMC 8GB
- HDMI, Dual channel 24bit LVDS, 1920 x 1080
- Supports 8 GB eMMC Flash, 1 SD/MMC, 1 SATA
- Supports 1 PCIe, 1 GbE, 4 USB 2.0, 1 USB OTG2.0, 1 SATAII, 1 I²C, 1 I²S, 1 CANbus, 8 GPIO
- Cable pack & panel included
- Evaluative image & test utility built-in



Specifications

Form Factor		ROM-7510 Evaluation Kit
Processor System	CPU	TI Sitara AM5728 Dual core cortex-A15 1.5GHz
Memory	Technology	DDR3 1066 MHz
	Capacity	On-board DDR3 2 GB
	Flash	8 GB eMMC NAND Flash for O.S. and 4 MB SPI NOR Flash for Advantech boot loader
Graphics	LVDS	1 Dual 24-bit LVDS, 1920 x 1080 at 60Hz
	HDMI	1920 x 1080 at 60Hz
	Parallel RGB	-
	VGA	-
	Graphics Engine	2D-Graphics Accelerator (BB2D) Subsystem and Dual-Core PowerVR [®] SGX544™ 3D GPU
	H/W Video Codec	Video Processing Engine (VPE)
Ethernet	Chipset	TI AM5728 Integrated RGMII
	Speed	1 10/100/1000 Mbps
RTC	RTC	Yes
WatchDog Timer		HW Watchdog Timer
I/O	SATA	1 SATAII
	USB	1 x USB3.0 (Option to USB2.0 OTG x 1), 4 x USB2.0 Host
	Audio	1 Line in, 1 Audio out
	SPDIF	-
	SDIO	1 SD card slot
	Serial Port	1 RS-232 (4-wire) by DB9
	SPI	1
	CAN	1 CAN bus 2.0B by DB9
	GPIO	8 by DB9
	I ² C	1
	Camera Input	-
	System Bus	-
	Touch	-
	Keypad	-
Expansion	PCIe Slot	2 PCIe x1
	M.2 slot E-Key	1 SDIO/UART/I2C single
	Mini-PCIE	1 USB single only
	SIM slot	1
Power	Power Supply Voltage	12V DC Jack
	Power Consumption	10W @ BurnIn
Environment	Operating Temperature	0 - 60 °C
	Operating Humidity	5% - 95% relative humidity, non-condensing
Mechanical	Dimensions (W x D)	170 x 170 mm
Operating System		Linux
Certifications		CE/FCC Class B

Block Diagram



Ordering Information

Part No.	Description
ROM-DK7510-FOA1E	ROM-7510 Evaluation Kit
ROM-DK7510-FOA2E	ROM-7510 Evaluation Kit w/o power code for china
ROM-DB7502-SCA1E	Development board for Qseven2.0 Module series
ROM-7510CD-PEA1E	ROM-7510 Q7 TI AM5728DC 1.5GHz 0 ~ 60 °C
ROM-7510WD-PEA1E	ROM-7510 Q7 TI AM5728 1.5GHz -40 ~ 85 °C

Packing List

Part Number	Description
96967510002	ASS'Y ROM-7510,2G DDR3,8G NAND
96967502001	ASS'Y ROM-DB7502 Q7 carrier board
9696MEG5200	Codec BOARD for TI AM57xx/AM335X
ROM-ED20-00A1E	Debug Adapter board
1700022373-01	Cable for debug board
1700002204	USB pin header to USB Type A
1700004711-11	M Cable SATA 7P/SATA 7P 8CM C=R 180/180
1700018785	SATA Power cable 15P/1*4P-2.5 35cm
1700019474	M Cable D-SUB 9P(F)/D-SUB 9P(F) RS232/RS485100c
1700006911	M Cable USB-A 4P(F)/M-USB 5P(M) 11cm C=B
1700019077-11	M Cable USB-A 4P(F)/M-USB 5P(M) 11cm C=B
IDK-1107WR-40WVA1E	7" LED PANEL 400N 800X480(G) witch touch
1700027805-01	LVD5 signal cable
1700027806-01	LVS Power cable
SQF-ISDS1-8G-82C	SQF SDHC C10 SLC 8G, 1CH (0~70°C)
96PSA-A36W12R1	ADP A/D 100-240V 36W 12V W/PFC DC PLUG 90°
1700001524	Power Cord 3P UL 10A 125V 180cm
2006542030	Risc user note
1960081645T001	Heatspreader for ROM-7510
1960061089N001	Heatsink
193B021490	Screw M2.5x14L F/S D=4.5 H=1 (1+) ST BZn NK
1930006016-02	Screw M2.5x11L F/S D=5 H=0.8 (1+) ST/H Ni

Option Accessories

Part No.	Description
170203183C	Power Code 3P EU 183cm
170203180A	Power Cord 3P UK 183cm
1700008921	Power Cord 3P PSE 183cm
1700019146	Power Cord CCC 3P 2.5A 250V 183cm
SQF-ISDS1-4G-82C	SQF SDHC C10 SLC 4G, 1CH (0~70°C)
SQF-ISDS1-8G-82E	SQF SDHC C10 SLC 8G, 1CH (-40~85°C)
968AD00018	Wifi BT module AW-NB136NF
175000284	Wireless Antenna R-AN2450-5701RS R/P SM
1750007965-01	Antenna Cable R/P SMA (M) to MHF4, 300mm
968AD00081	Qucetel EC20CEFA Mini-PCle 4G module
1750006264	Antenna cable SMA(F)/MHF 15cm
1750007990-01	Antenna 4G/LTE full band L=11 cm 50 Ohm