



### Features

- Excellent Reading Performance for major 1D and 2D bar codes, e.g. of QR codes, even with 30% damage or one finder pattern missing
- The best price-performance ratio solution in the market for retail and POS applications
- Support multiple Interface options, USB HID, Virtual COM and RS-232
- Facilitates both contact and air 16KV Electrostatic discharge
- Designed as IP41 sealing protection
- A stand option can be ordered to facilitate hand-free reading options
- Applicable on Android tablet or smart phone with optional cable

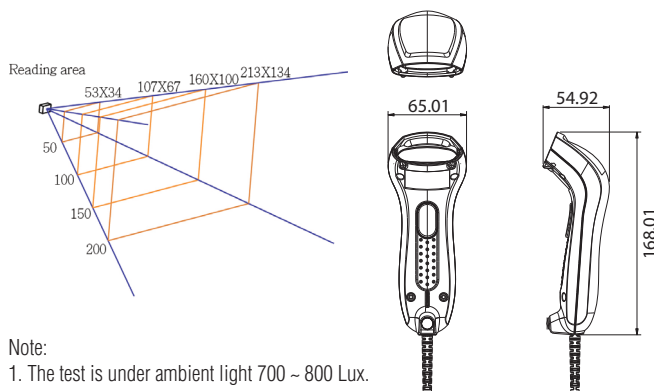
### Symbologies

Symbologies	1D Symbologies	2D Symbologies
UPC-A	V	
UPC-E	V	
China Post	V	
Databar / NW7	V	
Code 128	V	
Code 39	V	
Code 93	V	
EAN-13 / JAN-13	V	
EAN-8 / Jan-8	V	
GSI Databar Expanded	V	
GSI Databar Limited	V	
GSI Databar	V	
Omni-directional	V	
Industrial 25	V	
Interleaved 25	V	
Matrix 25	V	
MSI / Plessey	V	
Relapen	V	
Code 39 Full ASCII	V	
ISSN	V	
UCC Coupon	V	
Extended Code	V	
Attec		V
Data Matrix		V
Dotcode		V
PDF 417		V
QR Code		V
Micro PDF417		V
Micro QR Code		V
Dotcode		V
Option		Maxicode/Han Xin Code

### Depth of Field

Barcode	Depth of field
3mil Code39	40 ~ 90 mm
4mil Code39	35 ~ 95 mm
5mil Code39	30 ~ 110 mm
6mil Code39	30 ~ 140 mm
10mil Code39	30 ~ 160 mm
13mil Code39	30 ~ 180 mm
20mil Code39	30 ~ 250 mm
20mil QR Code	30 ~ 160 mm
20mil PDF417	30 ~ 110 mm
20mil Data Matrix	30 ~ 160 mm

### Mechanical Drawing



- Note:
1. The test is under ambient light 700 ~ 800 Lux.
  2. Reading area

Unit: mm

### Specifications

Physical Characteristics	Weight	Body weight: Approx. 90 g Cable weight: Approx. 60 g
	Material	ABS
	Dimension (W x D x H)	65.01 x 168.01 x 54.92 mm
Electrical Characteristics	Interface	USB
	Supply Voltage	
	Output Voltage (Typ.)	+5V±5%
	Output low Voltage (Max.)	0.7V
	Current Draw	
	Stand by (Typ.)	35mA
Performance	Operation (Typ.)	335 mA
	Light Source	White light LED
	Sensor	1280(H) x 800 (V) pixels
	Field of view	Horizontal -55°, Vertical -35°
	Scan Rate	60 fps (at full resolution)
	Reading Distance	250mm@20mil/0.5mm, PCS90%
	Print Contrast Ratio	PCS30%@5mil/0.127mm
	Resolution	3mil/0.076mm@PCS90% Code39, 8mil/0.2mm@PCS90% QRCode
	Reading Angle	Test Conditions : Code 39, 10mil/0.25mm,PCS90%
	Pitch Angle	±5°~60°
	Skew Angle	±5°~60°
	Ambient Light	100,000 Lux Max.

Environmental	Operating Temperature	0 °C to 50 °C (32 °F to 122 °F)	
	Storage Temperature	-20 °C to 70 °C (-4 °F to 158 °F)	
	Relative Humidity	20% to 95% (Non-condensing)	
Reliability	Life Time	Trigger Switch	1,000,000 times @1kg ±50g cycles
		MTBF (Calculated)	50,000 hours
	Thermal Shock	High Temp.	60 °C (140 °F)
		Low Temp.	-20 °C (-4 °F)
		Cycle time	30 minutes for high temp. , 30 minutes for low temp.
	Cable Bending Test	Cycles	24 cycles
		Drop Resistance	70.86 inches (180cm) drop on concrete surface
		Electro-Static Discharge	Both contact and air at up to 16KV
		Sealing	IP41 water and dust protection

### Ordering Information

Part No.	Product Description
ASK-SCN-NCBIG38000	Barcode Scanner, 2D, USB interface, IP41, IG380, Black color



### Features

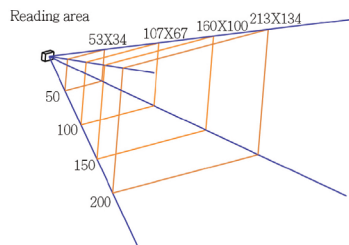
- Support 1D, 2D and GS1 Databar codes
- Good reading performance, e.g. good reading of QR code in 30% damage or even one finder pattern is missing
- Good performance on both display and printed label reading
- Support automatic sense reading and is able to read under 0 Lux dark environment
- Support multiple interface options, USB HID, Virtual COM and RS-232
- Designed as IP42 sealing protection
- Both contact and air 16KV Electro-Static discharge
- A stand option can be ordered to facilitate hand-free reading options
- Applicable on Android tablet or smart phone with optional cable

### Symbologies

Symbologies	1D Symbologies	2D Symbologies
UPC-A	V	
UPC-E	V	
China Post	V	
Databar / NW7	V	
Code 128	V	
Code 39	V	
Code 93	V	
EAN-13 / JAN-13	V	
EAN-8 / Jan-8	V	
GS1 Databar Expanded	V	
GS1 Databar Limited	V	
GS1 Databar	V	
Omni-directional	V	
Industrial 25	V	
Interleaved 25	V	
Matrix 25	V	
MSI / Plessey	V	
Relapen	V	
Code 39 Full ASCII	V	
ISSN	V	
UCC Coupon	V	
Extended Code	V	
Aztec		V
Data Matrix		V
Dotcode		V
PDF 417		V
QR Code		V
Micro PDF417		V
Micro QR Code		V
Dotcode		V
Option		Maxicode/Han Xin Code

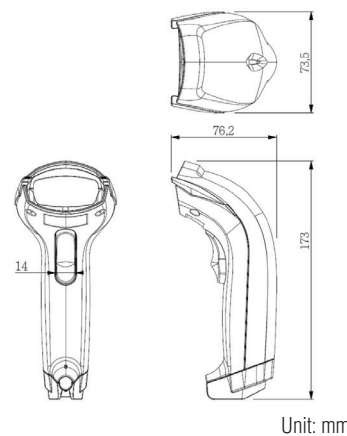
### Depth of Field

Barcode	Depth of field
3mil Code39	30- 70 mm
4mil Code39	20- 80 mm
5mil Code39	20-100 mm
6mil Code39	20-120 mm
10mil Code39	20-170 mm
13mil Code39	20-200 mm
20mil Code39	20-250 mm
20mil QR Code	20-180 mm
20mil PDF417	20-110 mm
20mil Data Matrix	20-180 mm



Note:  
The test is under ambient light 700 ~ 800 Lux.

### Mechanical Drawing



Unit: mm

### Specifications

Physical Characteristics	Weight	Body weight: Approx. 110g / 3.88 oz	
	Material	ABS / Rubber	
	Cable Length	5FT. (150cm)	
	Color Available	Black/Gray	
	Dimension	73.5 mm W x 76.2 mm H x 173.0 mm L	
Electrical Characteristics	Interface	RS232	USB
	Supply Voltage		
	Output Voltage (Typ.)	±9V	+5V
	Output low Voltage (Max.)	-	0.7V
	Current Draw		
	Stand by (Typ.)	45 mA	40 mA
Performance	Operation (Typ.)	440 mA	370 mA
	Light Source	White light LED	
	Sensor	1280 (H) x800 (V) pixels	
	Field of view	Horizontal - 55°, Vertical - 35°	
	Scan Rate	60 fps (at full resolution)	
	Reading Distance	250mm@20mil/0.5mm, PCS90%	
	Print Contrast Ratio	PCS25%	
	Resolution	3mil/0.076mm@PCS90% Code39, 5mil/0.127mm@PDF417	
	Reading Angle	Test Conditions : Code 39, 10mil/0.25mm, PCS90%	
	Pitch Angle	±5°-60°	
	Skew Angle	±5°-60°	
	Ambient Light	100,000 Lux Max.	
	Sealing	IP42 Water and dust protection	

Environmental	Operating Temperature	0 °C to 50 °C (32 °F to 122 °F)	
	Storage Temperature	-20 °C to 70 °C (-4 °F to 158 °F)	
	Relative Humidity	20% to 95% (Non-condensing)	
Reliability	Life Time	Trigger Switch	1,000,000 times @1kg ±50g cycles
		MTBF (Calculated)	50,000 hours
		High Temp.	60 °C (140 °F)
	Thermal Shock	Low Temp.	-20 °C (-4 °F)
		Cycle time	30 minutes for high temp.
			30 minutes for low temp.
Cable Bending Test	Cycles 24 cycles 25,000 times minimum (30 times/min @ 200g/90°)		
Drop Resistance	70.86 inches (180cm) drop on concrete surface		
Electro-Static Discharge	Both contact and air at up to 16KV		

### Ordering Information

Part No.	Product Description
ASK-SCN-NCBIG82000	Scanner,2D,USB interface, IP42, IG820, Black color

# Application Solution Kit

# SCN-MCWIG829

## Healthcare Area Imager Barcode Scanner



### Features

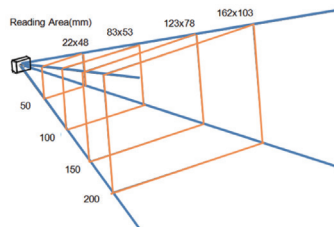
- A disinfectant-ready housing (ISO 22196 and JIS Z2801) protects your investment with durable construction that is better able to resist the harmful effects of harsh chemicals
- Designed as IP42 sealing protection
- Support 1D, 2D and GS1 Databar codes
- Good performance on both display and printed label reading
- Support automatic sense reading and is able to read under 0 Lux dark environment
- With intelligent activation, it automatically switches over to automatic-sense reading while placed on the stand
- Controllable user-selectable feedback designed for a quiet night shift (vibration) or a busy and more noisy day shift (beeper)
- Support multiple interface options, USB HID, Virtual COM and RS-232
- Both contact and air 16KV Electro-Static discharge
- A stand option can be ordered to facilitate hand-free reading options

### Symbologies

Symbologies	1D Symbologies	2D Symbologies
UPC-A	V	
UPC-E	V	
China Post	V	
Codabar / NW7	V	
Code 128	V	
Code 39	V	
Code 93	V	
EAN-13 / JAN-13	V	
EAN-8 / Jan-8	V	
GS1 Databar Expanded	V	
GS1 Databar Limited	V	
GS1 Databar	V	
Omni-directional	V	
Industrial 25	V	
Interleaved 25	V	
Matrix 25	V	
MSI / Plessey	V	
Telepen	V	
Code 39 Full ASCII	V	
ISSN	V	
UCC Coupon	V	
Extended Code	V	
Aztec		V
Data Matrix		V
Dotcode		V
PDF 417		V
QR Code		V
Micro PDF417		V
Micro QR Code		V
Dotcode		V
Option		Maxicode/Han Xin Code

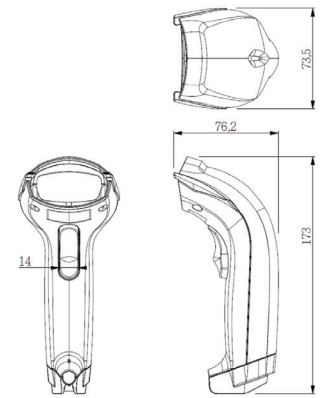
### Depth of Field

Barcode	Depth of field
3mil Code39	40- 80 mm
4mil Code39	35- 90 mm
5mil Code39	35-130 mm
6mil Code39	30-140 mm
10mil Code39	30-200 mm
13mil Code39	30-250 mm
20mil Code39	30-350 mm
20mil QR Code	30-180 mm
20mil PDF417	30-110 mm
20mil Data Matrix	30-180 mm



Note:  
The test is under ambient light 700 ~ 800 Lux.

### Mechanical Drawing



Unit: mm

### Specifications

Physical Characteristics	Weight	Body weight: Approx. 110g / 3.88 oz	
	Material	ABS / Rubber	
	Cable Length	5FT. (150cm)	
	Color Available	White	
	Dimension	73.5 mm W x 76.2 mm H x 173.0 mm L	
Electrical Characteristics	Interface	RS232	USB
	Supply Voltage		
	Output Voltage (Typ.)	±9V	+5V
	Output low Voltage (Max.)	-	0.7V
	Current Draw		
	Stand by (Typ.)	45 mA	40 mA
	Operation (Typ.)	440 mA	370 mA
Performance	Light Source	White light LED	
	Sensor	1280 (H) x 800 (V) pixels	
	Field of view	Horizontal-55°, Vertical-35°	
	Scan Rate	60 fps (at full resolution)	
	Reading Distance	350mm@20mil/0.5mm, PCS90%	
	Print Contrast Ratio	PCS30%@5mil/0.127mm	
	Resolution	3mil/0.076mm@PCS90% Code39, 8mil/0.2mm@PCS90% QRCode	
	Reading Angle	Test Conditions: Code 39, 10mil/0.25mm, PCS90%	
	Pitch Angle	±5°-60°	
	Skew Angle	±5°-60°	
	Ambient Light	100,000 Lux Max.	
	Sealing	IP42 Water and dust protection	

Environmental	Operating Temperature	0 °C to 50 °C (32 °F to 122 °F)	
	Storage Temperature	-20 °C to 70 °C (-4 °F to 158 °F)	
	Relative Humidity	20% to 95% (Non-condensing)	
Reliability	Life Time	Trigger Switch	1,000,000 times @1kg ±50g cycles
		MTBF (Calculated)	50,000 hours
		High Temp.	60 °C (140 °F)
	Thermal Shock	Low Temp.	-20 °C (-4 °F)
		Cycle time	30 minutes for high temp.
			30 minutes for low temp.
	Cable Bending Test	Cycles	24 cycles
			25,000 times minimum (30 times/min @ 200g/90°)
	Drop Resistance	70.86 inches (180cm) drop on concrete surface	
	Electro-Static Discharge	Both contact and air at up to 16KV	
Antibacterial resistance	ISO 22196 and JIS Z2801		

### Ordering Information

Part No.	Product Description
ASK-SCN-MCWIG82900	Medical Scanner,2D,USB interface, IP42, IG829, White color