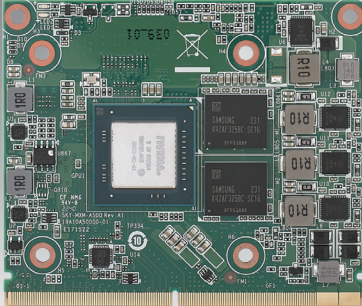


SKY-MXM-A500

MXM 3.1 Type A NVIDIA® Quadro® Embedded A500



CE FCC

Features

- NVIDIA® Quadro® A500 with MXM 3.1 TYPE A form factor (82 x 70 mm)
- Up to 2048 CUDA cores , 16 RT cores and 64 Tensor cores, 6.54 TFLOPS
- GDDR6 4GB memory, 64-bit, bandwidth 112 GB/s
- Headless design, support MS-Hybrid mode only
- Long life cycle, supports 5 years availability
- Max power consumption: 35W

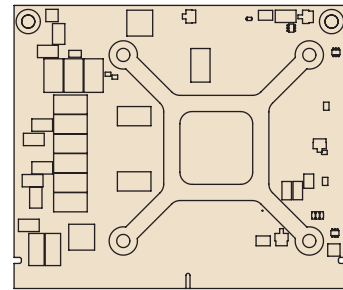
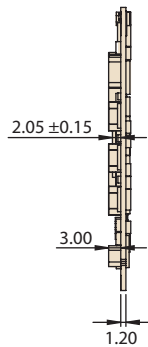
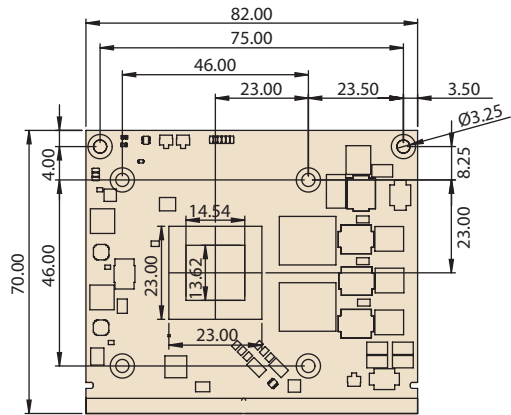
Specifications

Processor System	GPU	Quadro® A500	
	Graphic Architecture	NVIDIA® Ampere GA107-910	
	CUDA Parallel-Processing Cores	2048 CUDA® cores	
	GPU Base/Boost Clock	652 MHZ / 1597 MHZ	
	RT Cores	16	
	Tensor Cores	64	
	FP32 Performance	6.54 TFLOPS	
Memory	Technology	GDDR6 4GB memory	
	Interface Width	64-bit	
	Bandwidth	112 GB/s	
Graphics	Display	Headless design, support MS-Hybrid mode only	
Bus	PCI express 3.0	MXM 3.1, PCI Express Gen3 x4 supports	
Power Consumption	Max Power Consumption	35W	
Environment	Temperature	Operating	Non-Operating
		0 ~ 55 °C (dependent on CPU and cooler solution)	-40 ~ 85 °C
	Humidity	40 °C @ 85% relative humidity (non-condensing)	60 °C @ 95% relative humidity (non-condensing)
Feature	Encode Supported Sessions	3	
	RDMA	-	
Physical	Dimensions	82 (W) x 70 (D) mm	
	Form Factor	MXM 3.1 Type A	
OS	Microsoft	Windows 10/11, 64-bit	
	Linux	Linux Drivers, 64-bit	

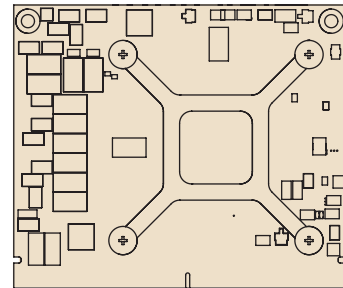
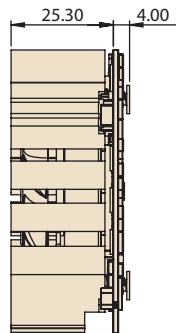
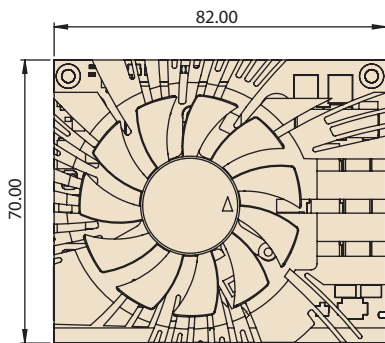
Dimensions

Unit: mm

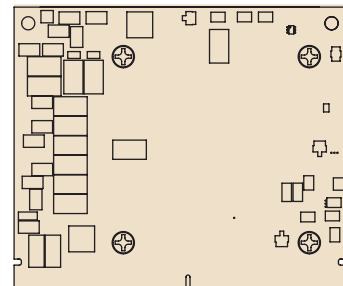
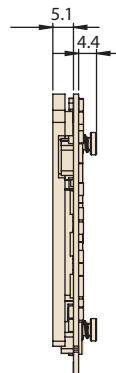
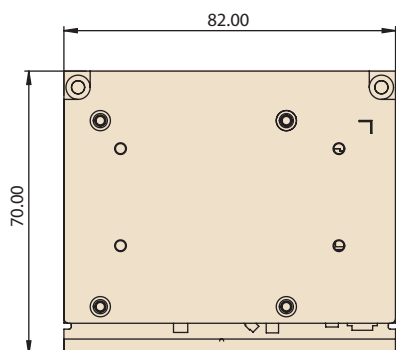
SKY-MXM-A500



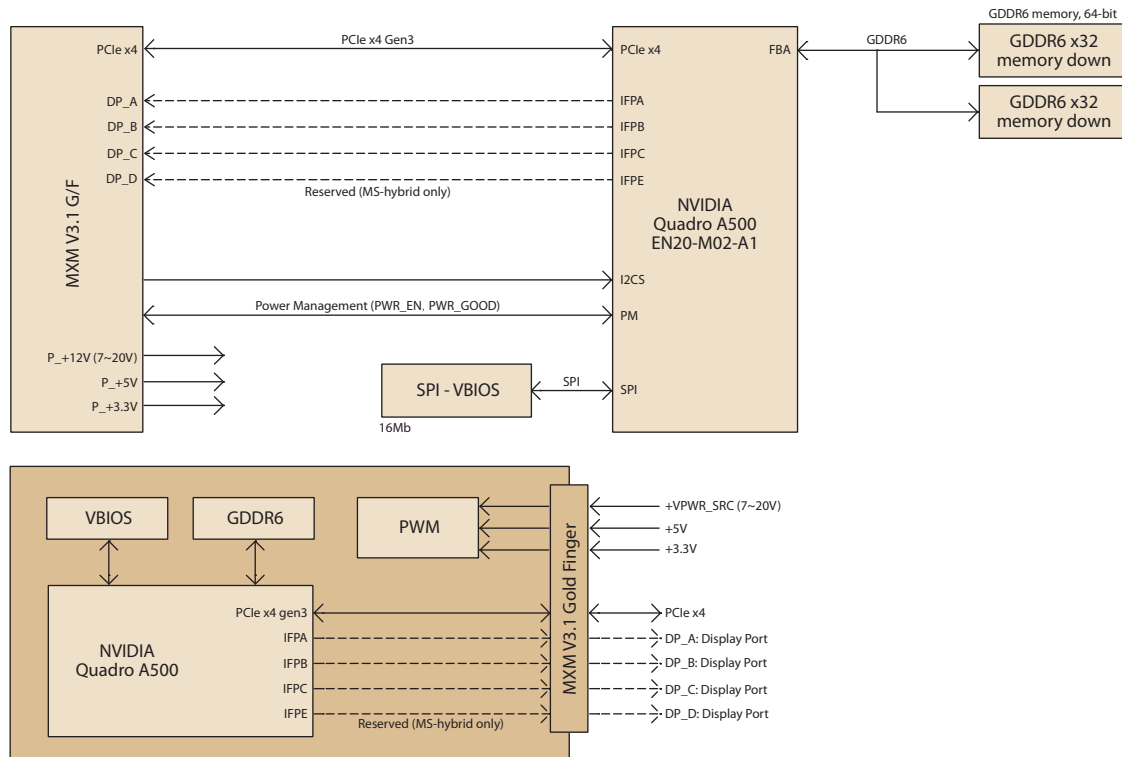
SKY-MXM-A500 with Fan Cooler (Option)



SKY-MXM-A500 with Heat Spreader (Option)



Block Diagram



Ordering Information

Part Number	GPU Memory	GPU Base/Boost Clock	RT Cores	Tensor Cores	FP32 Performance	Max Power Consumption	Display Connectors	Supported Features
SKY-MXM-A500-4SHA	4GB GDDR6	652 MHz / 1597 MHz	16	64	6.54 TFLOPS	35W	Headless Design	MS-Hybrid Mode

Optional Accessories

Thermal Solution

Part Number	Description	Material	Dimension (mm)	Operating Temp Support
98R1X200010	Fan Cooler	Aluminum	69.82(L) x 82(W) x 25.2(H)	0 ~ 55°C
98R1X050000	Heat Spreader	Aluminum	62.35(L) x 82(W) x 4.9(H)	Depending on system thermal solution

MXM-Carrier

Part Number	Description	PCIe Interface	Dimension (mm)	Display Output
SKY-MXM-CAR	MXM-Carrier PCIe to MXM	Gen3 x 16	235.95(L) x 162.2(H)	4 x DisplayPort 1.4a
SKY-MXM-CARG4	MXM-Carrier PCIe to MXM PCIe Gen4	Gen4 x 16	235.95(L) x 162.2(H)	4 x DisplayPort 1.4a