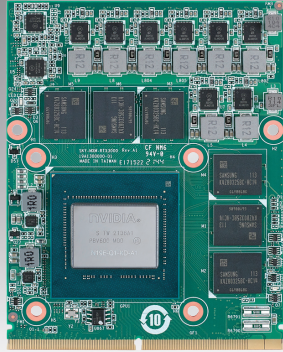


SKY-MXM-RTX3000

MXM 3.1 Type B NVIDIA® Quadro® Embedded RTX3000 with DP 1.4a



CE FCC

Features

- NVIDIA Turing architecture Quadro® RTX3000 with MXM 3.1 TYPE B form factor (82 x 105 mm)
- Up to 1920 CUDA cores, 30 RT cores and 240 Tensor cores, 5.3 TFLOPS
- GDDR6 6GB memory, 192-bit, bandwidth 336 GB/s
- Discrete or MS-Hybrid mode supported
- Memory Error Correction Code (ECC) supported
- Encode Sessions Unlimited
- GPUDirect® Remote Direct Memory Access (RDMA) and Video supported
- Up to 4 x DisplayPort 1.4a outputs
- Long life cycle, supports 5 years availability

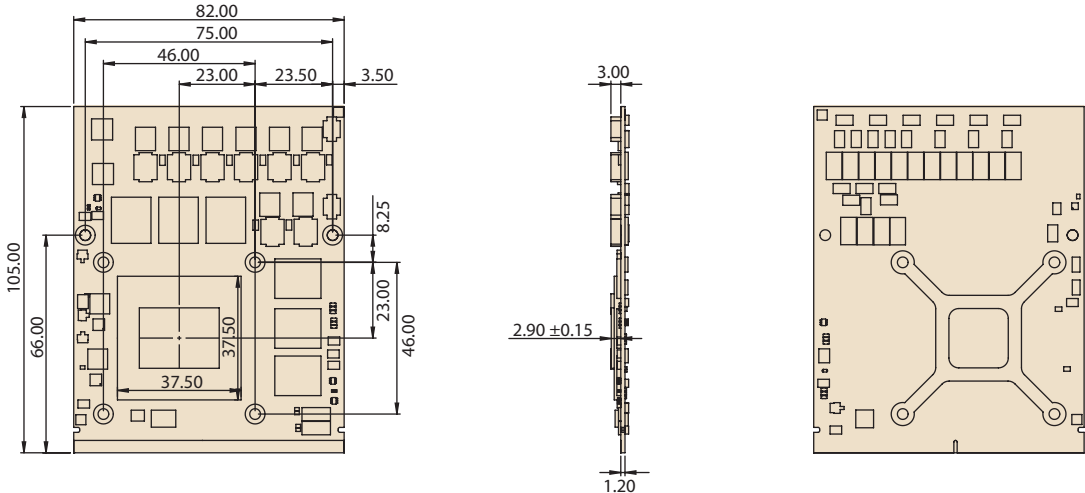
Specifications

Processor System	GPU	Quadro® RTX3000	
	Graphic Architecture	NVIDIA® Turing™ TU106	
	CUDA Parallel-Processing Cores	1920 CUDA® cores	
	GPU Base/Boost Clock	945 MHz / 1380 MHz	
	RT Cores	30	
	Tensor Cores	240	
	FP32 Performance	5.3 TFLOPS	
Memory	Technology	GDDR6 6GB memory	
	Interface Width	192-bit	
	Bandwidth	336 GB/s	
	Memory EC	Supported	
Graphics	DP	4 x DisplayPort 1.4a, 4K at 120Hz or 8K at 60Hz (Requires DSC) Support HDMI 2.0 via DP dual-mode, 4K at 60Hz	
	Display Mode	Discrete or MS-Hybrid mode supported	
Bus	PCI express 3.0	MXM 3.1, Type B PCI Express Gen3 x16 supports	
Power Consumption	Max Power Consumption	80W	
Environment	Temperature	Operating	Non-Operating
		0 ~ 55 °C (dependent on CPU and cooler solution)	-40 ~ 85 °C
Humidity	40 °C @ 85% relative humidity (non-condensing)	60 °C @ 95% relative humidity (non-condensing)	
	Features	Encode Supported Sessions	Unlimited
Physical	RDMA	Supported	
	Dimensions	82 (W) x 105 (D) mm	
	Form Factor	MXM 3.1 Type B	
OS	Microsoft	Windows 10/11, 64-bit	
	Linux	Linux Drivers, 64-bit	

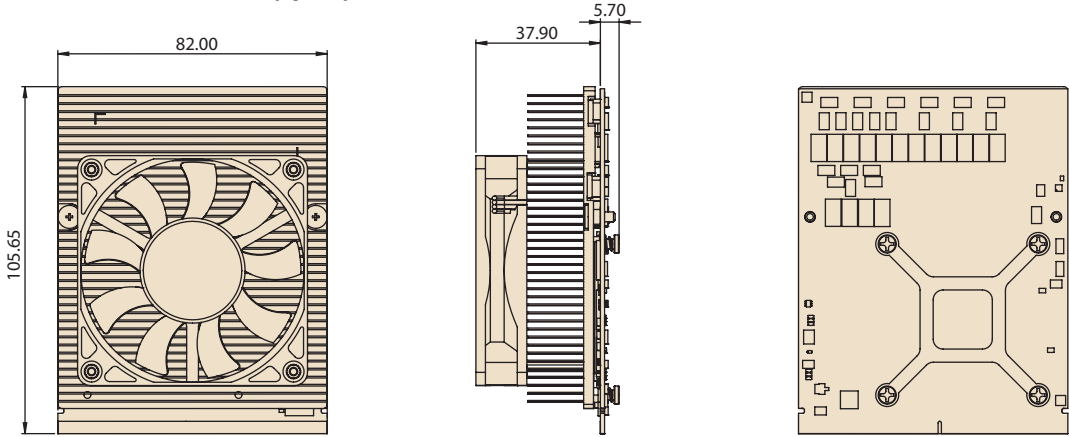
Dimensions

Unit: mm

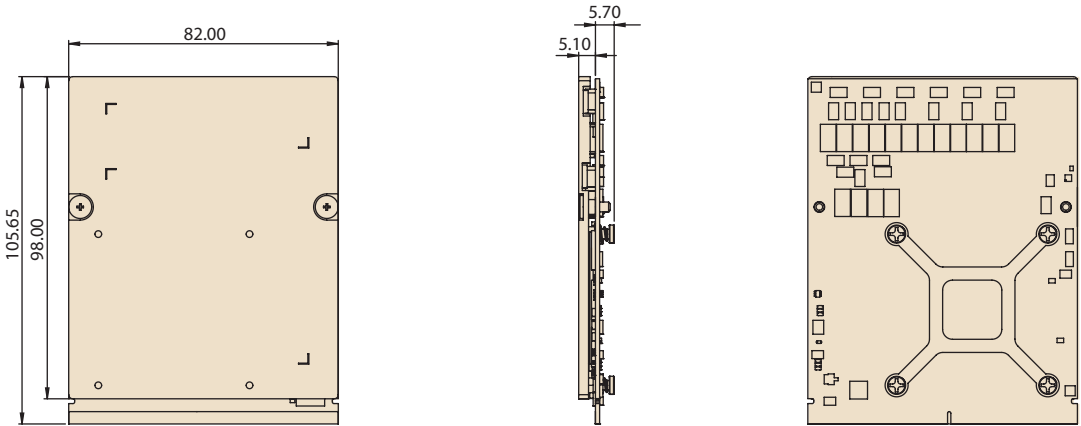
SKY-MXM-RTX3000



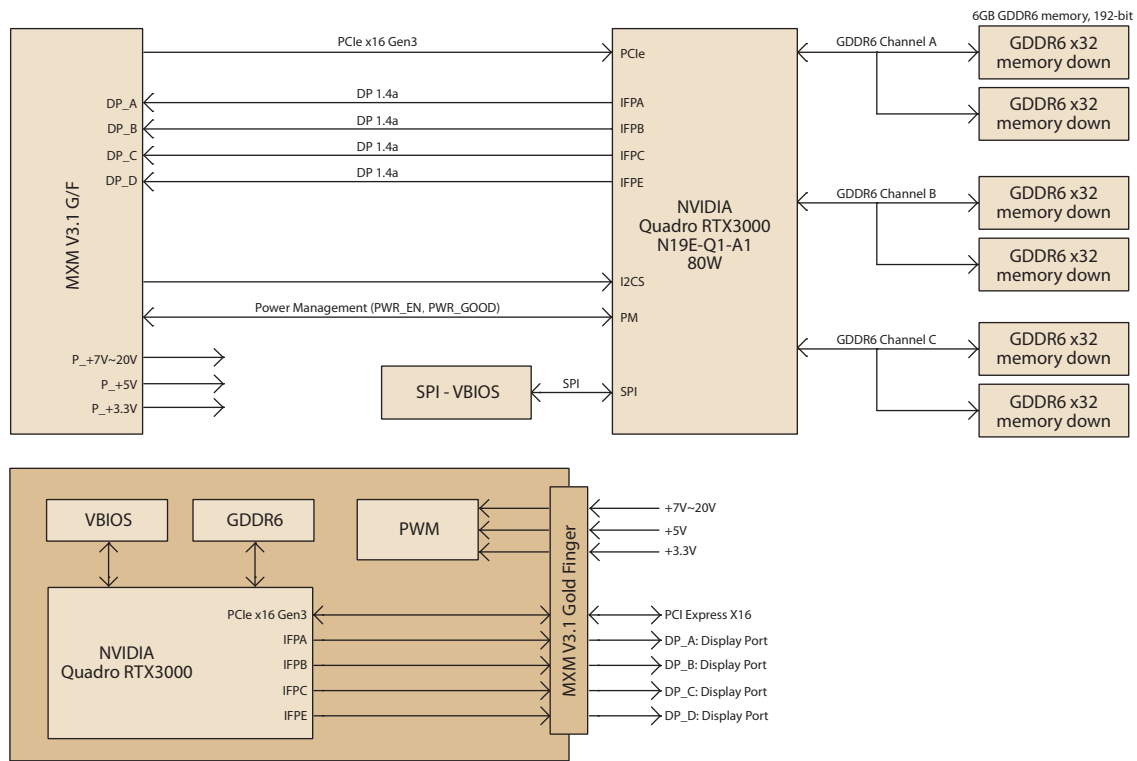
SKY-MXM-RTX3000 with Fan Cooler (Option)



SKY-MXM-RTX3000 with Heat spreader (Option)



Block Diagram



Ordering Information

Part Number	GPU Memory	GPU Base/Boost Clock	RT Cores	Tensor Cores	FP32 Performance	Max Power Consumption	Display Connectors	Supported Features
SKY-MXM-R3000-6HDA	6GB GDDR6	945 MHz / 1380 MHz	30	240	5.3 TFLOPS	80W	DP 1.4 * 4	Discrete Mode
SKY-MXM-R3000-6HHA	6GB GDDR6	945 MHz / 1380 MHz	30	240	5.3 TFLOPS	80W	Headless Design	MS Hybrid Mode

Optional Accessories

Thermal Solution

Part Number	Description	Material	Dimension (mm)	Operating Temp Support
98R1X300010	Fan Cooler	Aluminum	98(L) x 82(W) x 37.6(H)	0 ~ 55°C
98R1X300000	Heat Spreader	Aluminum	98(L) x 82(W) x 4.9(H)	Depending on system thermal solution

MXM-Carrier

Part Number	Description	PCIe Interface	Dimension (mm)	Display Output
SKY-MXM-CAR	MXM-Carrier PCIe to MXM	Gen3 x 16	235.95(L) x 162.2(H)	4 x DisplayPort 1.4a
SKY-MXM-CARG4	MXM-Carrier PCIe to MXM PCIe Gen4	Gen4 x 16	235.95(L) x 162.2(H)	4 x DisplayPort 1.4a