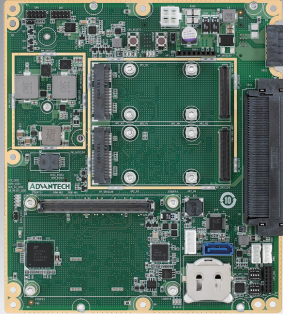


SOM-AB7600

MIL-Grade Application Board for COM Express® Type 10 Pin-out Modules

Preliminary



Features

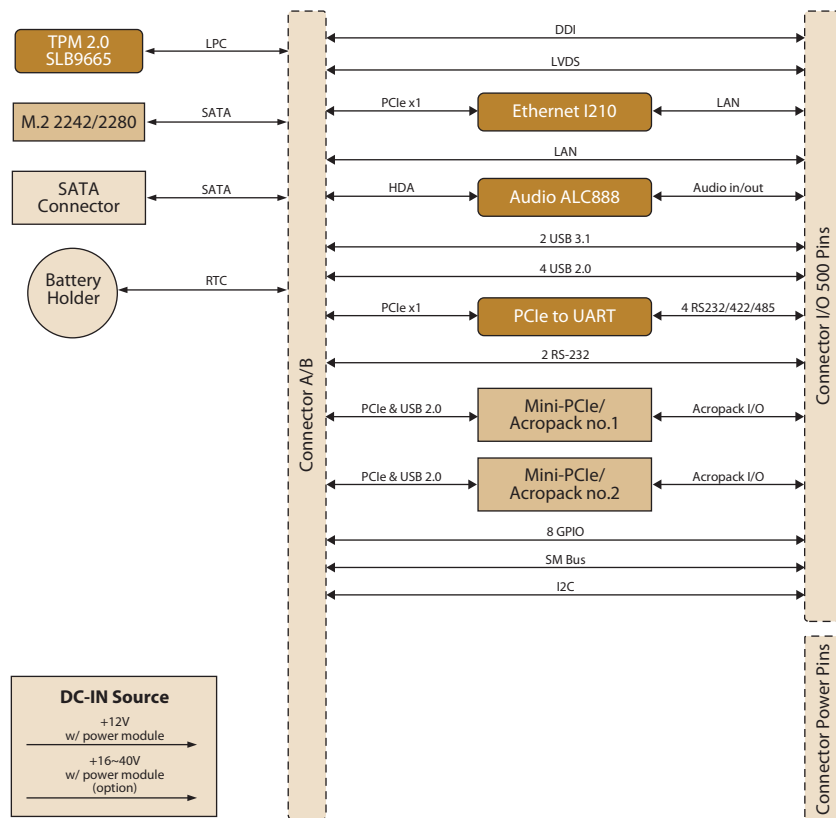
- PICMG COM.0 R2.1 Type 10 Pin Out
- COM Express® Mini Module Only
- Expansion 2 mini-PCIe/Acropack, SATA, M.2 2242/2280 (SATA only)
- I/O DDI, LVDS, 2 Ethernet, 4 USB 2.0, 2 USB 3.1, Audio, 6 Serial, 8 GPIO
- Compliant with MIL-STD-810G



Specifications

Compatible Models		Advantech COM Express Mini Module (84 x 55 mm/ 3.3" x 2.17")
M.2		1 M.2 2242/ 2280 (SATA singal only)
SATA		1 SATA
Expansion	mini-PCIe	2 miniPCIe/ Acropack
TPM		TPM 2.0
I/O 500 Pins Connector	DDI	1 DDI
	LVDS	1 LVDS (signal channel)
	Ethernet	2 Gigan LAN (10/100/1000)
	Audio	1 Audio input/ output
	USB	2 USB 3.1 4 USB 2.0
	COM Port	2 RS-232 4 RS-232/422/485 (from PCIe to UART bridge)
	GPIO	8 GPIO with 8 bits (4 in/ 4 out w/ +3.3 & +5V selectable)
	LPC	1
	I ² C Bus	1
	SM Bus	1
Samtec Board to Board (Power)	Type	ATX: Vin, VSB; AT: Vin or Vdc
	Supply Voltage	Vin: +12V (w/o Power Board SOM-EA8700) Vin: +12~40V (w/ Power Board SOM-EA8700, nominal volotage +28V)
Environment	Temperature	Operating: -40 ~ 85° C (-40 ~ 185° F) Storage: -40 ~ 85° C (-40 ~ 185° F)
	Humidity	Operating: 40° C @ 95% relative humidity, non-condensing Storage: 60° C @ 95%relative humidity, non-condensing
Mechanical	Dimensions	170 x 150 mm (6.7" x 5.9")

Block Diagram



Ordering Information

Part No.	Description
Contact sales	COM Express Type 10 Application Board SOM-AB7600
Contact sales	COM Express Type 10 MIL-I/O Board SOM-EA8610
Contact sales	COM Express Type 6 Power Board SOM-EA8700
Contact sales	MIL-DTL-38999 to Commercial Adapter Cable (for SOM-EA8610)
SOM-DK7600S-00A1	COMe Type 10 System Evaluation Kit