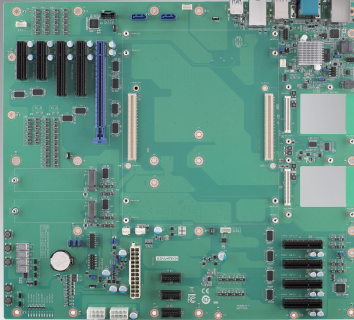


SOM-DH5000

Development Board for COM-HPC Server Pinout Modules



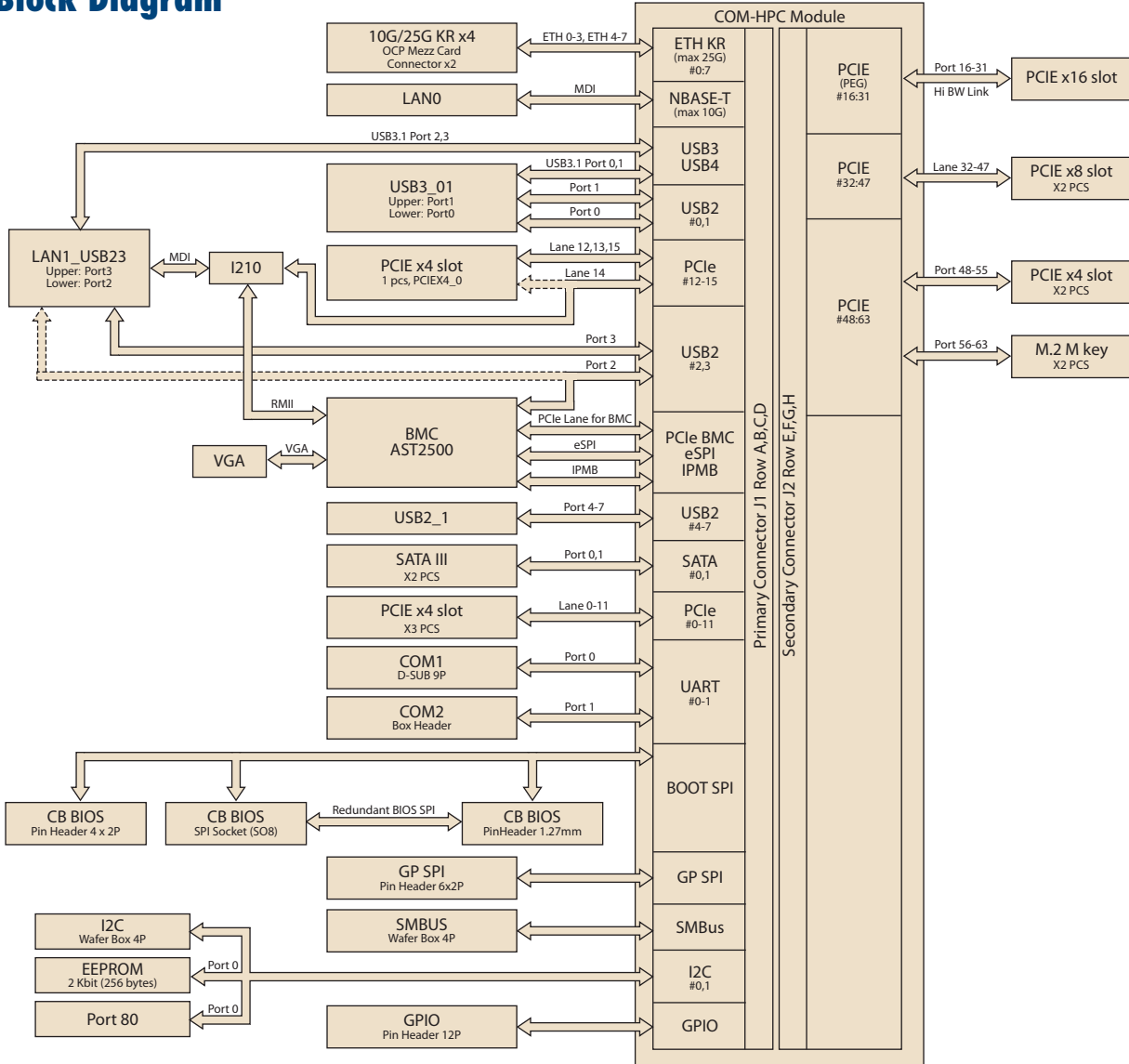
Features

- PICMG COM-HPC Server pinout
- COM-HPC Size D and E compatible
- Rich extension: 1 PCIe x16, 2 PCIe x8, 5 PCIe x4
- Integrated BMC supports VGA, Dedicated NIC for IPMI, iKVM
- 10/25 Gigabit Ethernet support by OCP mezzanine card
- Visible Debug Utility: BIOS 80 Port and Power State

Specifications

Compatible Models		Advantech COM-HPC Server Size D Module (160x160mm) and COM-HPC Server Size E Module (200 x 160mm)
Graphics	Controller	AST2500 Integrated 2D Graphics Controller
	Frequency	266MHz
	Graphic Memory	1GB @ DDR4-1600
Display	VGA	1920 x 1200 (from AST2500)
Expansion	PCI Express x16	1
	PCI Express x8	2
	PCI Express x4	6
	M.2 M Key	2
	eSPI	1
Serial Bus	SMBus	1
	I2C Bus	2 (1x 1.8v, 1x 3.3v)
Ethernet	Gigabit Ethernet	1 port 1000Base-T (RJ-45) supports 10/100/1000 Mbps from AST2500, supports IPMI 1 port 1000Base-T (RJ-45) supports 10/100/1000 Mbps from Module side
	Super Speed Ethernet	Up to 8 Ports, support 10G/25G by OCP mezzanine card
I/O	SATA3.0	2
	USB 3.1 Gen2	4
	USB2.0	4
	Boot_SPI	1 (SPI Socket)
	GP_SPI	1 (6x2P Pin Header)
	COM Port	2 (1x D-SUB 9P, 1x Box Header)
	GPIO	12 (12P Pin Header)
	Fan	2 (1x 4P Smart Fan Header from Module side, 1x 3P System Fan Header)
Power	Type	ATX: Vin, VSB; AT: Vin
	Supply Voltage	Vin: 12V ±5%, VSB: 5 ±5%
Environment	Temperature	Operating Standard: 0 ~ 60 °C (32 ~ 140 °F), only SOM-EA64 supports 0 ~ 40 °C (32 ~ 104 °F)
	Humidity	Operating: 40°C@95% relative humidity, non-condensing Storage: 60°C@95% relative humidity, non-condensing
Mechanical	Dimensions	Proprietary: 366 x 330 mm

Block Diagram



Ordering Information

Part No.	Description
SOM-DH5000-00A1	COM-HPC Size D Devel. Board A1 w/10G OCP card
SOM-DH5000-01A1	COM-HPC Size D Devel. Board A1 w/25G OCP card

Any other SKUs or combination is project based support. Please contact sales for details.

Packing List

SOM-DH5000-00A1

Part No.	Description	Qty.
SOM-DH5000-00A1	COM-HPC Size D Devel. Board A1 w/10G OCP card	1
1700008941	M Cable SATA 7P/SATA 7P 32CM 180/180	2
1910001675	POST M2.5*4L 2.5*5L 2.5 2.1 5 5 Cu Ni	1
1931000590	Screw M2.5x5L F/S D=5.3 H=0.8 (1+) ST Ni	7
SOM-EA64	4port 10G Copper for SOM-DH5000	1
SOM-EA70	B2B card for 25G OCP card	1

SOM-DH5000-01A1

Part No.	Description	Qty.
SOM-DH5000-01A1	COM-HPC Size D Devel. Board A1 w/25G OCP card	1
1700008941	M Cable SATA 7P/SATA 7P 32CM 180/180	2
1931000590	Screw M2.5x5L F/S D=5.3 H=0.8 (1+) ST Ni	4
SOM-EA71	4ports 25G Fiber OCP Card	1