

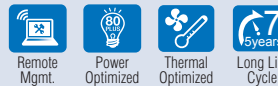
# SYS-4W5122-4S01

**4U LGA1150 Xeon® E3 Server  
Desktop/Wallmount with  
2 x PCIe16 (x8 link), 1 PCIe4,  
1 PCI Expansion Slots**



## Features

- Intel® C226 Platform
  - Intel® Xeon® E3 V3 processors (LGA1150)
  - DDR3 ECC-REG/ECC/Non-ECC 1600/1333/1066 MHz DIMM up to 32 GB
  - SATA3.0, USB 3.0, SW RAID 0, 1, 5, 10
- Expansion Capability
  - 1 PCI, 1 PCIe4, 2 PCIe16 (x8 link)
  - Two 3.5" HDD Bay and One Slim Optical Drive
- Thoughtful and Management Design
  - Intelligent remote manageability
  - LED indicators and audible alarm notification
  - Smart fan speed control for system fans
  - Lockable front door prevent unauthorized access
  - 400W 80 plus power supply

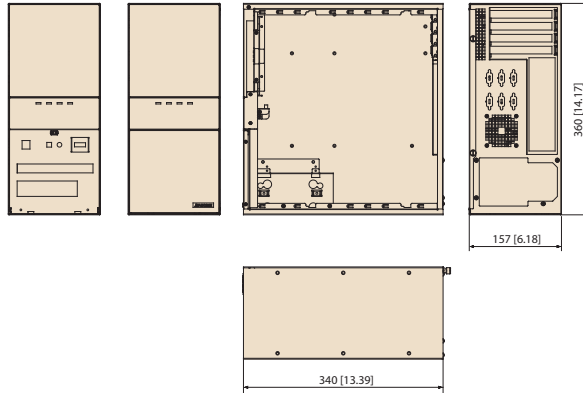


## Specifications

Processor System	CPU	Xeon E3-1275 v3	Xeon E3-1225 v3	Xeon E3-1268 v3	Core i7-4770S	Core i5-4570TE	Core i3-4330	
	Cores	4	4	4	4	2	2	
	Speed (GHz)	3.5	3.2	2.3	3.1	2.7	3.5	
	L3 Cache	8 MB	8 MB	8 MB	8 MB	4 MB	3 MB	
	Socket	LGA 1150						
	Chipset	Intel C226 chipset						
	BIOS	AMI 128 Mbit SPI (UEFI)						
Memory	Technology	Dual Channel DDR3 Unbuffered ECC/Non-ECC 1066/1333/1600 MHz						
	Max. Capacity	32 GB						
	Socket	4 x 240-pin DIMM						
	Memory size	1 GB, 2 GB, 4 GB, 8 GB						
Graphics	Controller	Intel HD Graphics						
	VRAM	1 GB maximum shared memory with 2 GB and above system memory installed						
Expansion Slots	PCI 32-bit/33 MHz	1 slots						
	PCIe x 4 (Gen2) 2.0 GB/s	1 slots						
	PCIe x8 (Gen3) 8 GB/s	2 slots (x16 slot with x8 link)						
Storage		Front-accessible				Internal		
	Slim Optical Drive	1					-	
Front I/O Interface	3.5"	1					1	
	USB	2						
Rear I/O Interface	External serial port	-						
	External USB port	4 (2 USB 3.0 and 2 USB 2.0)						
	VGA port	1						
	DVI	1						
	Display Port	2						
	RJ-45	2						
	PS/2 KB/mouse	-						
Watchdog Timer	Audio	2 (Mic-in, Line-out)						
	Output	System reset						
Power Supply	Interval	Programmable 1 ~ 255 sec						
	Output Rating	400W						
Cooling	Input Voltage	AC 100 ~ 240 V (full range)						
	Fan	1 (12 cm / 85 CFM)						
Miscellaneous	Air Filter	Yes						
	LED Indicators	Power, HDD, fan and temperature						
	Control	Power switch, alarm reset and system reset buttons						
Environment	Rear Panel	Six 9-pin D-Sub openings						
		Operating				Non-Operating		
	Temperature	0 ~ 40° C (32 ~ 104° F)				-20 ~ 60° C (-4 ~ 140° F)		
	Humidity	10 ~ 85% @ 40° C, non-condensing				10 ~ 95% @ 40° C, non-condensing		
	Vibration (5 ~ 500 Hz)	1 Grms				2 G		
Physical Characteristics	Shock	10 G (with 11 ms duration, half sine wave)				30 G		
	Dimensions (W x H x D)	157 x 360 x 340 mm (6.2" x 14.2" x 13.4")						
	Weight	6.5 kg (14.3 lb)						

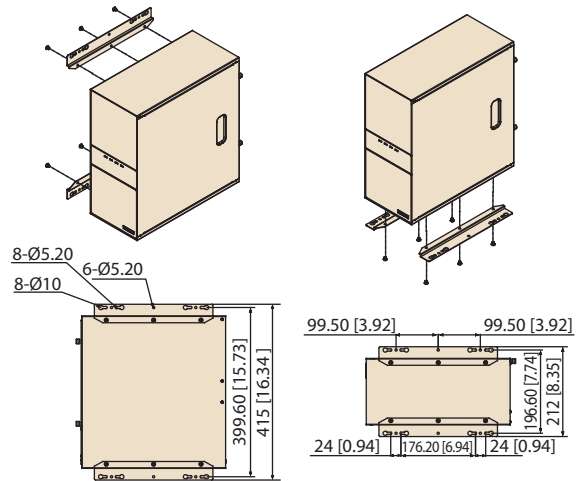
**Dimensions**

Unit: mm [inch]



**Installation**

Unit: mm [inch]



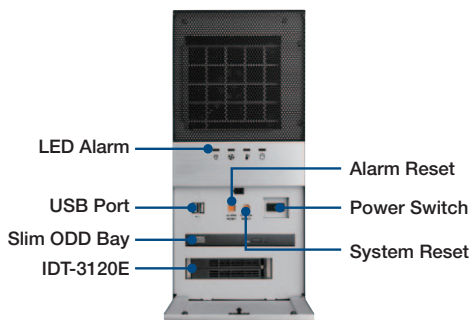
**Ordering Information**

Please visit Advantech eStore for order entry  
<http://buy.advantech.com/>

**System Content**

Item	P/N
Chassis	IPC-5122-00XE
Motherboard	ASMB-584G2-00A1E
Power Supply	PS8-400ATX-ZE (ATX, PFC)

**Front View**



Note: Hot swap drive bay module and Slim ODD should be bought separately.

**Rear view**

