

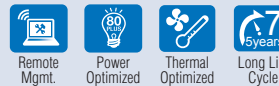
SYS-6W6606-4F01

Intel® Core™ 2 Quad Wallmount/
Desktop PICMG1.0 System with
5 Expansion Slots



Features

- Intel® G41+ICH7R Platform
 - Intel® Core™2 Quad FSB 1333 MHz processors (LGA 775)
 - Dual Channel DDR3 1066 SDRAM up to 8 GB
 - 2 COM ports, 4 SATA ports, 8 USB ports
- Expansion Capability
 - 3 PCI, 2 ISA
 - One 5.25" ODD and Two 3.5" Shock-resistant Drive Bay
- Thoughtful and Management Design
 - Intelligent remote manageability
 - Two front access USB ports
 - Bidirectional to mount chassis on wall or workbench
 - Easy maintain system fan and filter
 - 300W 80 plus power supply

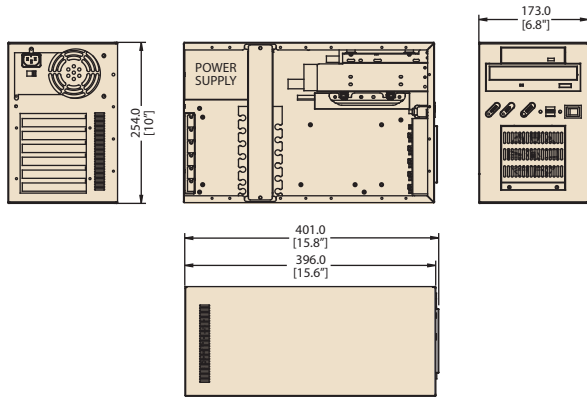


Specifications

Processor System	CPU (45nm/65nm)	Intel Core 2 Quad	Intel Core 2 Duo	Intel Pentium	Intel Celeron
	Max Speed	Q9650 3.0 GHz	E8500 3.16 GHz	E6500 2.93 GHz	E1500 2.2 GHz
	L2 Cache	12 MB	6 M	8 M	512 KB
	Chipset	Intel G41 + ICH7/ICH7R (only for G2 SKU)			
	BIOS	AMI 16 Mb SPI Flash			
	FSB	800/1066/1333 MHz			
Memory	Technology	Dual-channel DDR3 800/1066 MHz DIMMs			
	Max. Cap.	8 GB			
	Socket	240-pin DIMM x 2			
Graphics	Controller	Intel Graphics Media Accelerator X4500			
	Video Output	15-Pin VGA D-sub Connector x1/DVI connector x1 (optional)			
Expansion Slot	PCI	3			
	ISA	2			
Ethernet	Interface	10/100/1000 Mbps			
	Controller	Intel 82583 V			
Storage	5.25"	1			
	3.5"	2 (1 front-accessible, 1 internal)			
Front I/O Interface	USB	2			
	USB 2.0	6 ports by pin header/1 port on bracket I/O			
Rear I/O Interface	Serial	2 RS-232 on board pin-headers, plus for ports of RS-485 with auto-flow control by module (optional, Advantech P/N: PCA-COM485-00A1E)			
	Parallel	1 (EPP/ECP/SPP)			
	FDD	1			
	PS/2	1 (for mouse and keyboard, Y cable is included in the package)			
	Watchdog Timer	Output	System reset		
Power Supply	Interval	Programmable, 1~255 sec/min			
	Output Rating	300W			
Cooling	Input Voltage	100 ~ 240 VAC			
	Fan	1 (9 cm / 53 CFM)			
Miscellaneous	Air Filter	Yes			
	LED Indicators	Power and HDD			
Environment	Control	Power switch and reset button			
	Temperature	0 ~ 40° C (32 ~ 104° F), operating			
Physical Characteristics	Humidity	10 ~ 85% @ 40° C, non-condensing			
	Dimensions (W x H x D)	173 x 254 x 396 mm (6.8" x 10" x 15.6")			
	Weight	9 kg (19.8 lb)			

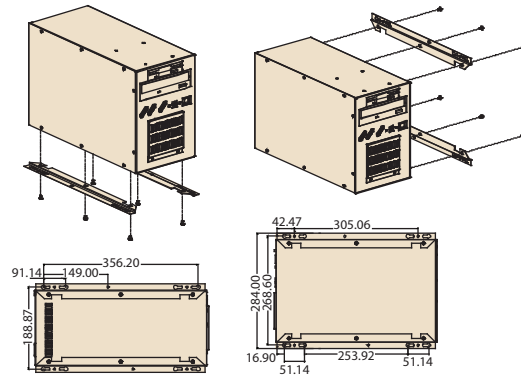
Dimensions

Unit: mm [inch]



Installation

Unit: mm [inch]



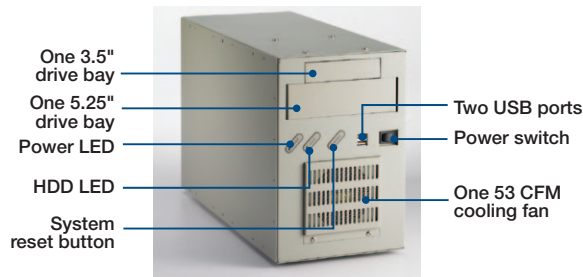
Ordering Information

Please visit Advantech eStore for order entry
<http://buy.advantech.com/>

System Content

Item	P/N
Chassis	IPC-6606BP-00XE
Motherboard	PCA-6011G2-00A1E
Backplanes	PCA-6106P3-0D2E
Power Supply	PS8-300ATX-ZBE (ATX, PFC)

Front View



Inside View

