

TREK-303R

7" In-Vehicle Smart Display



Features

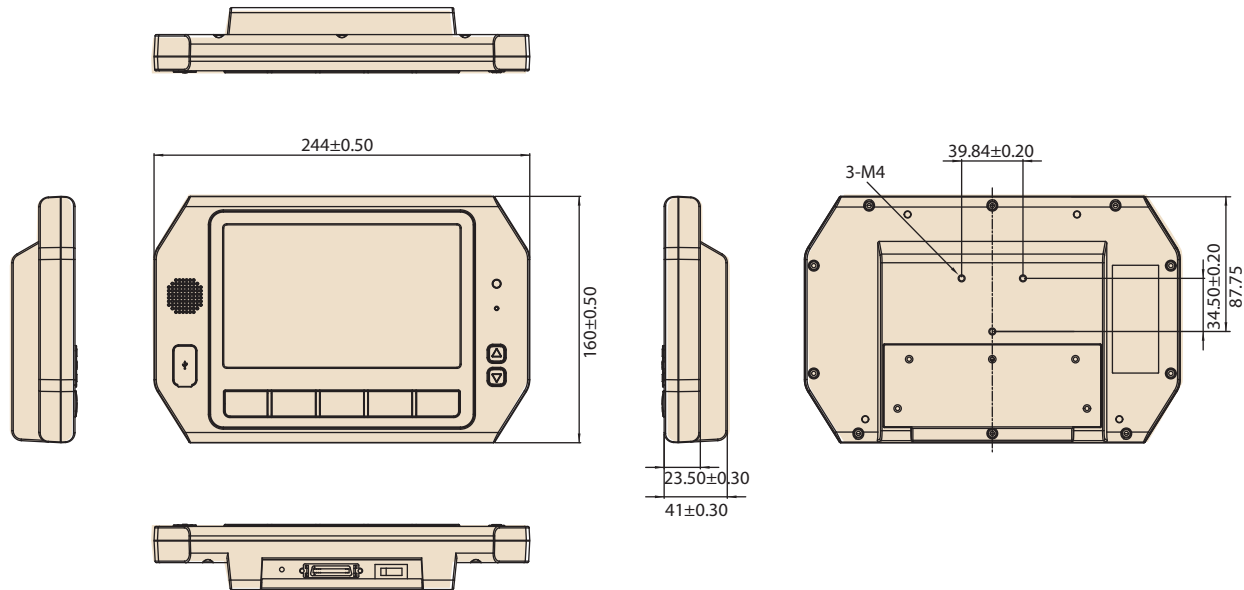
- Vehicle-grade 7" WVGA (16:10) TFT LCD with 4-wire resistive touch control
- SDP 1.0 port one cable provides longer cable length and easily connects/disconnects
- Wide working temperature range (-30 ~ 70°C)
- 5 x programmable function keys
- CE/FCC/E13 certified

Specifications

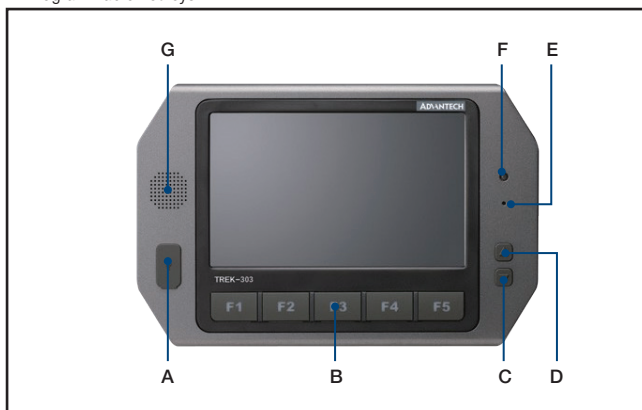
LCD	Resolution	WVGA (800 x 480)
	Design Compatible Models	TREK-570
	Video Interface	Single-channel LVDS
	Pixel Pitch	0.1905 x 0.1905 (H x V)
	Viewing Angle (H/V)	120°/100° (CR > 10)
	Contrast Ratio	500
	Backlight Life	50,000 hours
	Backlight Type	LED
	Brightness	500 cd/m ² , typical
Front Panel	Speaker	1 x 2 W speaker
	Hotkey	5 x programmable function keys
	Brightness Control	1 x light sensor for auto dimming
	Light Sensor	1 x with MRM SDK support
	Thermal Sensor	1 x with MRM SDK support
	USB Port	1 x USB 2.0 Type A
Touchscreen	Size	7.0" format
	Type	4-wire resistive
	Transparency	84% ± 3%
	Hardness	3H
	Durability	Knock test > 10,000,000 times (stylus = R0.8, <= 250g)
IK Shock Protection Rate	N/A (IK-07, based on project)	
Rear I/O	Smart Display Port 1.0	SDP 1.0 locking type connector paired with TREK computing box (TREK-570)
	Power Button	1 x power button (to power on/off TREK computing box)
	Reset Button	1 x reset button (to reset TREK computing box)
Power	Power Input	12 V _{DC} ± 5% (powered by TREK-570)
	Power Consumption	7 W (nominal), 12 W (max.)
Mechanical	Dimensions (W x H x D)	244 x 160 x 41 mm
	Material	PC
	Weight	0.95 kg
	Mounting	3 x 120 degree holes, RAM mount
Environment	Operating Temperature	-30 ~ 70°C (-22 ~ 158°F)
	Storage Temperature	-40 ~ 80°C (-40 ~ 176 °F)
	Humidity	95 ± 5%
	Thermal Design	Fanless
	Ingress Protection	IP31 (entire system) IP 54 (with I/O cover based on project)
Certification	Vibration/Shock	MIL-STD-810G, SAE J1455 4.9.4.2, EN60721-3-5(5M3)
	EMC	CE, FCC, CCC, E-MARK (E13)

Dimensions

Unit: mm

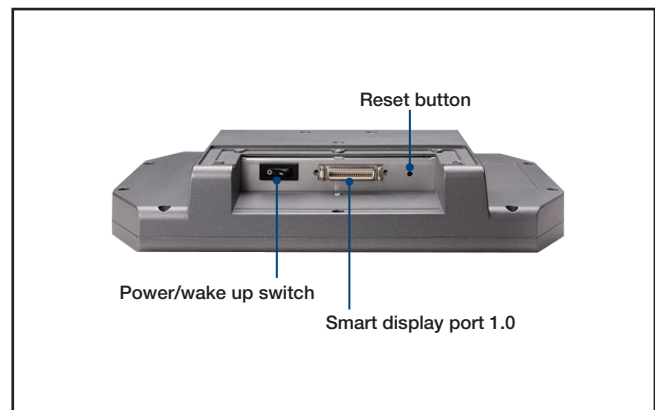


- A. USB host
- B. Programmable hotkeys



- C. Brightness up
- D. Brightness down
- E. Power LED
- F. Light sensor
- G. Speaker

Note: Use the "brightness down" button to turn off the backlight.



Ordering Information

Part Number	Description
TREK-303R-HA1E	7" WVGA in-vehicle smart display with 4-wire resistive touchscreen

Optional Items

Part Number	Description
RAM-MOUNT-07E	75 mm VESA base, 202U RAM, and Arm socket
1700020007	Smart display 1.0 cable, 2 m
1700020008	Smart display 1.0 cable, 5 m