

UBX-110H

8K UHD Hospitality Box Computer with Intel 11th Gen Processor



DeviceOn/iService

Features

- Equipped with DeviceOn/iService software for remote device management
- Supports triple display to extend a visible range and provide the detailed video contents
- Superior video quality: support up to 8K UHD resolution
- Built-in a TPM 2.0 chip for data encryption enhancement
- Support two M.2 2280 SATA SSD expansions for RAID 0/1 function
- Can be integrated with optional WiFi and Bluetooth combo module
- Supports Windows 10 IoT LTSC 2021, Windows 11 IoT, Linux, or Android 12.0
- An exclusive x-type thermal isolation top cover ensure safe installation and user touch

Introduction

Advantech UBX-110 is an ultra-compact hospitality box computer that is used for offices, retail applications, etc. It features Intel 11th gen processor to boost system performance and working efficiency. The UBX-110 enables 8K UHD video resolution by the USB-C output that delivers vivid and high-quality A/V experiences. It also supports TPM 2.0 and RAID 0/1 function to offer complete system security and data protection solution. It is an ideal mini PC for retail applications.

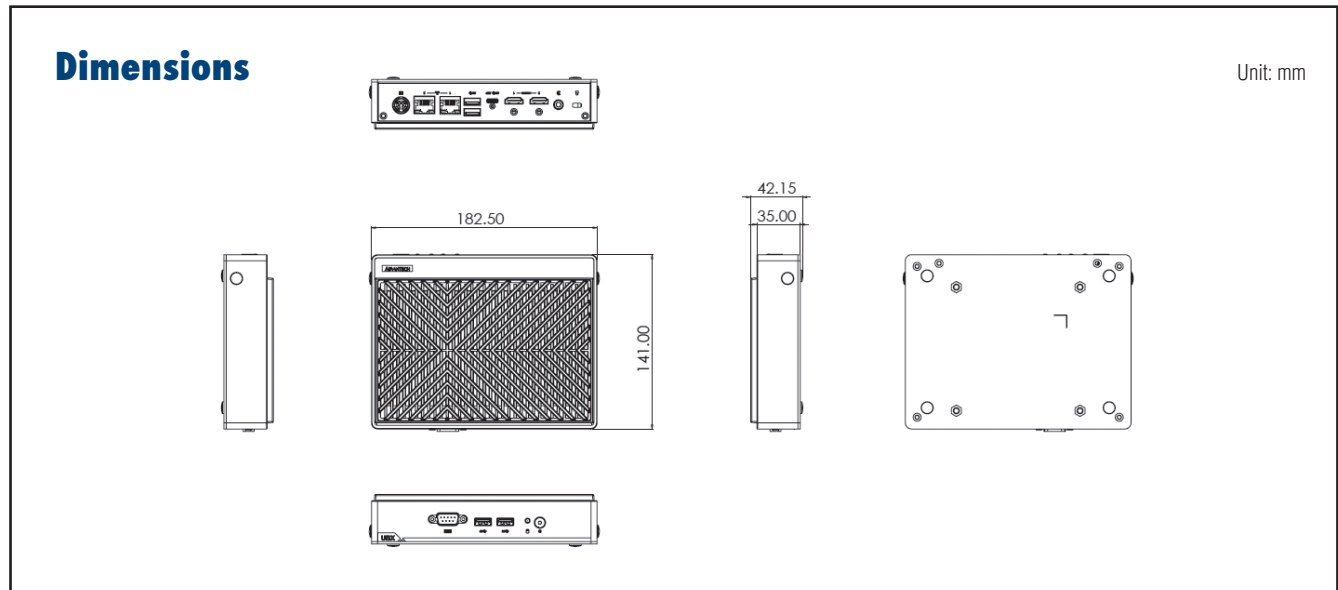
Specifications

Model		UBX-110H
Processor		Celeron 6305E Core-i3, 1115G4E Core-i5, 1145G7E Core-i7, 1185G7E
	Chipset	Integrated in SoC
Graphics		Intel Integrated Graphics
Security	TPM	TPM 2.0
Memory	Technology	DDR4-3200 SODIMM *1
	Max. Capacity	32GB (non-ECC)
Thermal Solution		Fanless
Resolution		USB-C: support up to 8K UHD (7680 x 4320 @ 60Hz); HDMI 1 and 2: support up to 4K UHD (4096 x 2160@60Hz)
I/O - Rear	Video	USB-C *1 HDMI2.0b *2
	Audio	Line-out *1
	USB	USB 3.2 Gen2 Type A(Blue) *2 USB-C(Supports DP 1.4, 8K@60Hz video output, 5V/2A, USB 3.2 Gen2 data transfer) *1
	LAN	RJ45 *2 (LAN1- i219: 10/100/1000 Mbps; LAN 2 - i225: up to 2.5 Gbps)
	Power Jack	DC 12V Power DIN4 *1
	Anti-theft Lock	Kensington Lock *1
I/O - Front	USB	USB 3.2 Gen2 Type A (Blue) *2
	COM	DB9 *1 (RS232/485/RS422 by BIOS)
	Button	Power Push Button Circle (Black) *1, button w/ power LED (Dark Green)
Internal I/O	Power Connector	6 pin pitch2.5 wafer *1
	USB2.0 Connector	5 pin pitch1.0 *2
LED		HDD Access (Green) *1
Mounting		VESA/Desk(detachable food pad)/Wall
Expansion	WiFi/BT	M.2 E-key 2230 *1
	Storage	M.2 M-key 2280 *2
Intel vPro	Intel vPro	Supported (Core i5, i7 only)
Operating System		Windows 10 IoT LTSC 2021, Windows 11 IoT, Linux, Android 12.0
Temperature		Operating: 0~ 45 °C
Target Dimensions (W x D x H)		182.5 x 141.5 x 35 mm
Certifications	EMC	CE, FCC, CCC, BSMI, UKCA, RF RED
	Safety	UL, CB, CCC, BSMI, BIS

Specifications Cont.

DeviceOn/iService Remote Device Management	Operating System	Windows 10 IoT 2021
	Common Controls (Reboot, Shutdown)	✓
	Remote Desktop	✓ (via VNC)
	Audio Controls	✓
	Connection Status	✓
	Hardware Status	✓
	Hard Disk Status	✓
	Batch Operation Support	✓
	OTA Storage Management	FTP
	OTA Software Updates	✓
	Software Watchlist	✓
	Software Start/Stop	✓
	Peripherals Watchlist	✓

Note: DeviceOn/iService software must be download from the Advantech website at <https://www.advantech.com/search/?q=DeviceOn%2FiService&st=support&ssl=Utility>

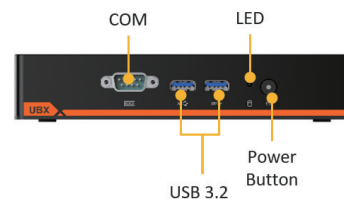


Ordering Information

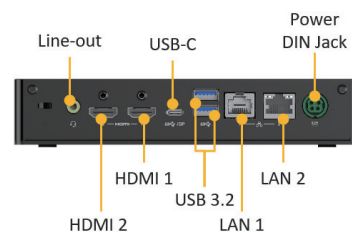
Model	P/N	Description
UBX-110H	UBX-110H-BCL01	UBX-110, Celeron 6305E, barebone
	UBX-110H-BI301	UBX-110, i3 1115G4E, barebone
	UBX-110H-BI501	UBX-110, i5 1145G7E, barebone
	UBX-110H-BI701	UBX-110, i7 1185G7E, barebone
	UBX-110H-UCL01	UBX-110, Celeron 6305E, barebone, Made in Taiwan
	UBX-110H-UI301	UBX-110, i3 1115G4E, barebone, Made in Taiwan
	UBX-110H-UI501	UBX-110, i5 1145G7E, barebone, Made in Taiwan
	UBX-110H-UI701	UBX-110, i7 1185G7E, barebone, Made in Taiwan

I/O Interface

Front View



Rear View



UBX-110H Barebone Package Content

Part Number	Description
-	1 unit UBX-110H Box Computer
96PSA-A60W12D4-3	1 pcs DC12V/60W Power Adapter
1960105772N000	1 pcs Memory Shielding Case
1990019899N010	1 pcs Thermal Pad for DDR4 Memory
1990033286N010	1 pcs Thermal Pad for DDR4 Memory Shielding Case
1960105773N000	1 pcs SSD Shielding Case
1990022441N000	1 pcs Thermal Pad for SSD

Optional Accessories

Product	P/N	Usage	Description
VESA Mounting Kit	UBX-MKV02	1	100 x 100 mm VESA Mounting Kit
DDR4 Memory	AQD-SD4U4GN32-SP	1	4GB SO-DDR4 3200 512MX16 SAM
	AQD-SD4U4GN32-SP1	1	4G SO-DDR4-3200 512X16 1.2V SAM 0~95°C
	AQD-SD4U8GN32-SE	1	8GB DDR4 SODIMM-3200 1GbX8 SAM
	AQD-SD4U16GN32-SE	1	16GB DDR4 SODIMM-3200 1GbX8 SAM
	AQD-SD4U32GN32-SB	1	32GB DDR4 SODIMM-3200 2GbX8 SAM
	SQR-SD4N4G3K2SNPCB	1	260pin SODIMM DDR4 3200 4GB 1.2v 512x16 (0~85°C)
	SQR-SD4N8G3K2SNBCB	1	260pin SODIMM DDR4 3200 8GB 1.2v 1Gx8 (0~85°C)
	SQR-SD4N16G3K2SNCB	1	260pin SODIMM DDR4 3200 16GB 1.2v 1Gx8 (0~85°C)
	SQR-SD4N32G3K2SNAB	1	260pin SODIMM DDR4 3200 32GB 1.2v 2Gx8 (0~85°C)
	SQR-SD4S8G3K2SNBB	1	260pin SODIMM DDR4 3200 8GB 1.2v 1Gx8 (0~85°C)
	SQR-SD4S16G3K2SNBB	1	260pin SODIMM DDR4 3200 16GB 1.2v 1Gx8 (0~85°C)
	SQR-SD4S32G3K2SNAB	1	260pin SODIMM DDR4 3200 32GB 1.2v 2Gx8 (0~85°C)
	Storage	AMF-S8BV1F64GDM2C	1 or 2
AMF-S8BV1F128GDM2C		1 or 2	AMF, M.2 2280 SATA SSD, 128GB, 3D TLC BiCS5 (0~70°C)
AMF-S8BV1F256GDM2C		1 or 2	AMF, M.2 2280 SATA SSD, 256GB, 3D TLC BiCS5 (0~70°C)
AMF-S8BV2F512GDM2C		1 or 2	AMF, M.2 2280, SATA SSD, 512GB, 3D TLC BiCS5 (0~70°C)
AMF-S8BV4F1TDM2C		1 or 2	AMF, M.2 2280, SATA SSD, 1TB, 3D TLC BiCS5 (0~70°C)
AMF-S8BV4F2TDM2C		1 or 2	AMF, M.2 2280, SATA SSD, 2TB, 3D TLC BiCS5 (0~70°C)
SQF-S8BV1-64GDSDM		1 or 2	SQF SATA M.2 2280 650-D 64G 3D TLC BiCS5 (-20~85°C)
SQF-S8BV1-128GDSDM		1 or 2	SQF SATA M.2 2280 650-D 128G 3D TLC BiCS5 (-20~85°C)
SQF-S8BV1-256GDSDM		1 or 2	SQF SATA M.2 2280 650-D 256G 3D TLC BiCS5 (-20~85°C)
SQF-S8BV2-512GDSDM		1 or 2	SQF SATA M.2 2280 650-D 512G 3D TLC BiCS5 (-20~85°C)
SQF-S8BV4-1TDSM		1 or 2	SQF SATA M.2 2280 650-D 1T 3D TLC BiCS5 (-20~85°C)
SQF-S8BV4-2TDSM	1 or 2	SQF SATA M.2 2280 650-D 2T 3D TLC BiCS5 (-20~85°C)	
WiFi, BT Combo Module, antenna	UBX-100P-W00E	1	UBX-110, Wi-Fi 5+ BT Module, 2.4/5GHz M.2 2230
Power Cord	1700018705	1	Power Cord EU 3P 10A 250V 183cm 180°
	1700000596-11	1	Power Cord CCC 3P 10A 250V 183cm
	1700001714	1	Power Cord BSMI 3P 7A 125V 183cm
	1700018704	1	Power Cord BSI 3P 10A 250V 180cm (UK)
	1700000237	1	Power Cord PSE 3P 12A 125V 183cm
	1702031836	1	Power Cord SAA 3P 10A 250V 183cm (AU)
Operating System	20708WX1ES0038	1	Image WIN10 LTSC-ELE UBX-110 V1.00 7MUI x64
	20708WX1VS0038	1	Image WIN10 LTSC-VLE UBX-110 V1.00 7MUI x64
	20708WX1HS0026	1	Image WIN10 LTSC-HLE UBX-110 V1.00 7MUI x64
	20708WXE1S0000	1	Image WIN11 ECE UBX-110 V1.00 7MUI x64
	20708WXV1S0000	1	Image WIN11 VCE UBX-110 V1.00 7MUI x64
	20708WXH1S0000	1	Image WIN11 HCE UBX-110 V1.00 7MUI x64
	20708U22DS0002	1	UBX-110H Ubuntu 22.04 V1.01
	20708A10NS0061	1	UBX-110H Android 12 image V0.6.0

DeviceOn/iService

Unified Remote Device Management Software



Features

- Supports Advantech devices equipped with Windows, Android, and Linux OS
- Flexible device, location, user, and permissions management
- Enables remote monitoring and control of hardware, software, and peripherals
- Supports over-the-air (OTA) firmware and software updates
- Ensures quick, easy, and secure device onboarding
- RESTful APIs for third-party system integration

Introduction

Advantech's DeviceOn/iService is a next-generation unified device management solution based on the WISE-DeviceOn platform. Designed to enable centralized monitoring and remote management, DeviceOn/iService supports Advantech devices equipped with Windows, Linux, or Android operating systems. The software also supports the management of applications and integrated peripherals, such as a barcode scanner, card reader, camera, and printer. Users can remotely access and control connected devices, take screenshots, rollout OTA upgrades, and use remote desktop capabilities for troubleshooting from any location at any time. Moreover, DeviceOn/iService supports batch operations to facilitate the management of multiple devices simultaneously for easy and convenient device configuration and deployment.

Total Management



Devices & Hardware

- Windows, Linux, Android
- Hardware, storage, battery



Software & Peripherals

- Software monitoring & access
- Screens, USB devices, printers



Open for Expansion

- Peripheral integration
- Open APIs for integration

Remote Access



Real-Time Monitoring

- Connection/hardware status
- Software/peripheral status
- Failure notifications



Remote Controls

- Power controls
- Audio, backlight controls
- Software controls



Troubleshooting

- Screenshots
- Remote desktop support

Operational Efficiency



OTA updates

- System/software updates
- File repository management
- App store



Batch Controls

- 1-to-many batch reboot, etc.
- Time-saving tasks



Setup Booster

- Software/peripheral watchlist
- Roles, rule templates

Note: Some functions may vary according to the product

System Architecture

