

UBX-330M

Intelligent Edge Computer with Intel Core Ultra 7, Core Ultra 5 Processor



Features

- Powered by Intel Core Ultra 7 / Ultra 5 processors
- Equipped with three AI engines for low-latency, fast response
- Offers flexible and versatile I/O expansion
- Compact NUC-sized cubic form factor
- Includes Intel Arc graphics and vPro Enterprise on select SKUs
- Efficient thermal dissipation solution with a quiet acoustic design
- Offers a versatile mounting kit compatible with VESA, wall mount, pole mount, DIN rail, and ARM mount options
- Includes a dedicated power adapter bracket for improved cable management

Introduction

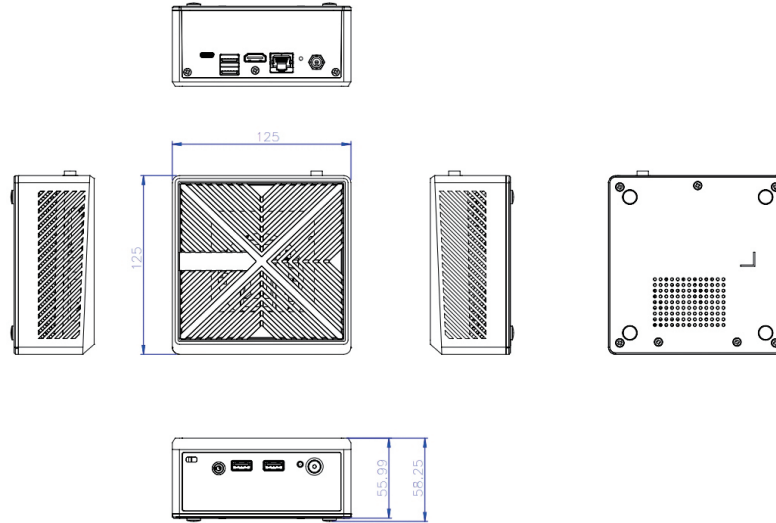
UBX-330M is an Edge Intelligent Computer, powered by Intel Core Ultra 7/5 processors. This compact, NUC-sized device is designed for powerful edge computing. With three AI engines, it delivers low-latency, fast response times for real-time tasks. The flexible I/O expansion ensures seamless connectivity, while select SKUs offer Intel Arc graphics and vPro Enterprise for enhanced visuals and enterprise-grade security. Compact yet versatile, the Edge Intelligent Computer is perfect for demanding environments, providing top-tier performance and adaptability.

Specifications

Model No.		UBX-330M
Processor		Core Ultra 5 125H Core Ultra 5 135U Core Ultra 7 155U
Graphic Engine		125H: Intel Arc graphics 135U/155U: Intel graphics
TPM		TPM 2.0 chip
Memory		DDR5-SODIMM *1, up to 48G
Storage		M.2 2280 B+M Key *1, supports NVMe and SATA SSD
Front I/O	USB	USB Type A 2.0 *2
	Audio	Mic-in/Line-out Combo Audio *1
	Button	Power Pushbutton *1
	LED	Storage Indicator *1
	Kensington Lock	Kensington Lock *1
Rear I/O	USB	USB 3.2 *2
	Video	USB-C *1, supports DisplayPort protocols and 10W power delivery HDMI 2.1 *1
	LAN	LAN *1, up to 2.5 Gbps
	Button	System Recovery Button *1 (Equipped with a specified M.2 2280 SATA storage for system backup and recovery)
	Power	DC 12V Power Jack w/ Lock *1
WiFi		M.2 2230 E Key *1
Expansion		<ul style="list-style-type: none"> ▪ UBX-300E-CM00: <ul style="list-style-type: none"> – COM *2, supports RS232 only – LAN *1, supports up to 2.5 Gbps ▪ UBX-300E-SA00: <ul style="list-style-type: none"> – 2.5" SATA Storage *1 ▪ UBX-300E-TE00: <ul style="list-style-type: none"> – M.2 3052 B Key *1 – SIM Slots *1 – Antenna *4
	Intel vPro	125H/155U: Intel vPro Essential 135U: Intel vPro Enterprise
	Operating System	Windows 10 LTSC 21H2 Windows 11 LTSC 24H2
	Environment	Operating Temperature Storage Temperature
Physical	Dimensions (W x D x H)	125 x 125 x 58.25 mm
	Weight	NW: 0.8 Kg
Software	SUSI, DeviceOn	
Certificate	CE, FCC Class B, CCC, BSMI, UL, CB, EN 62368, ErP, RF RED	

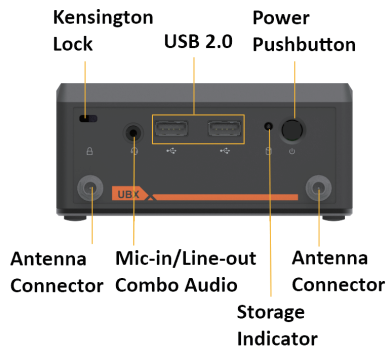
Dimensions

Unit: mm

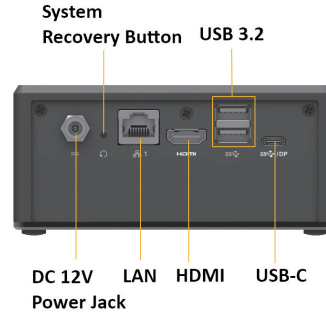


I/O Interface

Front View



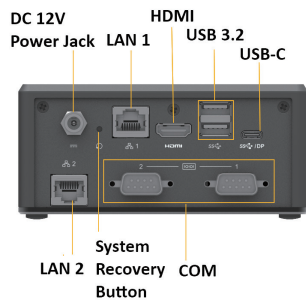
Rear View



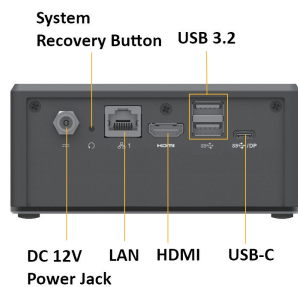
Note: Antenna connectors are available for the UBX-330M with UBX-330M-TE00 expansion SKU.

Optional I/O

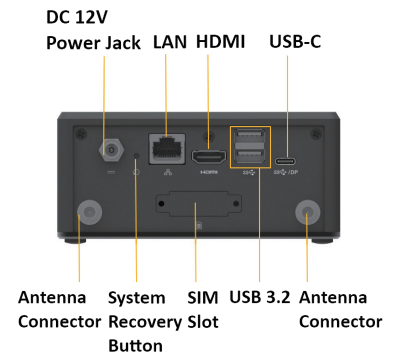
UBX-300E-CM00



UBX-300E-SA00



UBX-300E-TE00



Ordering information

Part Number	Description
UBX-330M-BI5H0	UBX-330M, Core Ultra 5 125H, Barebone
UBX-330M-BI5U0	UBX-330M, Core Ultra 5 135U, Barebone
UBX-330M-BI7U0	UBX-330M, Core Ultra 7 155U, Barebone

UBX-330M barebone Package Content

PN	Description
-	1x UBX-330M Edge Intelligent Computer
96PSA-A84W12W7-4	1x 84W power adapter
1960116950N001	1x All-in-one (VESA, Wall mount, Pole mount) mounting bracket
1930009015	1x Screw for securing the device to the bracket
1930006444-01	3x Step screws for mounting the device on the bracket
1990041769N000	1x thermal pad for memory
1990041770N000	1x thermal pad for M.2 2280 SSD

Optional Accessories

Product	P/N	Usage	Description	
Expansion I/O	UBX-300E-CM00	1	UBX-330M, COM x2 and RJ45 2.5G x1 expansion kit	
	UBX-300E-SA00	1	UBX-330M, 2.5" storage expansion kit	
	UBX-300E-TE00	1	UBX-330M, Telecommunication expansion kit	
Peripheral	UBX-300P-W00E	1	UBX-330M, WiFi6/BT installation kit	
	UBX-300P-NR00	1	UBX-330M, 5G installation kit, Globe	
	UBX-300P-AD00	1	UBX-330M, mounting bracket kit	
Memory	SQR-SD5N8G5K6HNGAG	1	262pin SODIMM DDR5 5600 8GB 1.1v 1Gx16(0-95) Hynix A die	
	SQR-SD5N16G5K6HNGAG	1	262pin SODIMM DDR5 5600 16GB 1.1v 2Gx8(0-95) Hynix A die	
	SQR-SD5N32G5K6HNGAG	1	262pin SODIMM DDR5 5600 32GB 1.1v 2Gx8(0-95) Hynix A die	
M.2 2280 NVMe Storage	SQF-C8MV2-256GDEFM	1	SQF PCIe/NVMe Gen.4 M.2 2280 OPAL 730-D 256G 3D TLC BiCS5 (-20~85°C)	
	SQF-C8MV2-512GDEFM	1	SQF PCIe/NVMe Gen.4 M.2 2280 OPAL 730-D 512G 3D TLC BiCS5 (-20~85°C)	
	SQF-C8MV4-1TDEFM	1	SQF PCIe/NVMe Gen.4 M.2 2280 OPAL 730-D 1T 3D TLC BiCS5 (-20~85°C)	
	SQF-C8MV4-2TDEFM	1	SQF PCIe/NVMe Gen.4 M.2 2280 OPAL 730-D 2T 3D TLC BiCS5 (-20~85°C)	
	SQF-C8MV4-4TDEFM	1	SQF PCIe/NVMe Gen.4 M.2 2280 OPAL 730-D 4T 3D TLC BiCS5 (-20~85°C)	
	SQF-C8MV2-256GDEFE	1	SQF PCIe/NVMe Gen.4 M.2 2280 OPAL 730-D 256G 3D TLC BiCS5 (-40~85°C)	
	SQF-C8MV2-512GDEFE	1	SQF PCIe/NVMe Gen.4 M.2 2280 OPAL 730-D 512G 3D TLC BiCS5 (-40~85°C)	
	SQF-C8MV4-1TDEFE	1	SQF PCIe/NVMe Gen.4 M.2 2280 OPAL 730-D 1T 3D TLC BiCS5 (-40~85°C)	
	SQF-C8MV4-2TDEFE	1	SQF PCIe/NVMe Gen.4 M.2 2280 OPAL 730-D 2T 3D TLC BiCS5 (-40~85°C)	
	M.2 2280 SATA Storage	SQF-S8BV1-64GDSDM	1	SQF M.2 2280 SSD 650 64G 3D BiCS5 (-20~85°C)
SQF-S8BV1-128GDSDM		1	SQF M.2 2280 SSD 650 128G 3D BiCS5 (-20~85°C)	
SQF-S8BV1-256GDSDM		1	SQF M.2 2280 SSD 650 256G 3D BiCS5 (-20~85°C)	
SQF-S8BV2-512GDSDM		1	SQF M.2 2280 SSD 650 512G 3D BiCS5 (-20~85°C)	
SQF-S8BV4-1TDSDM		1	SQF M.2 2280 SSD 650 1TB 3D BiCS5 (-20~85°C)	
SQF-S8BV4-2TDSDM		1	SQF M.2 2280 SSD 650 2TB 3D BiCS5 (-20~85°C)	
SQF-S8BV1-64GDSDE		1	SQF M.2 2280 SSD 650 64G 3D BiCS5 (-40~85°C)	
SQF-S8BV1-128GDSDE		1	SQF M.2 2280 SSD 650 128G 3D BiCS5 (-40~85°C)	
SQF-S8BV1-256GDSDE		1	SQF M.2 2280 SSD 650 256G 3D BiCS5 (-40~85°C)	
SQF-S8BV2-512GDSDE		1	SQF M.2 2280 SSD 650 512G 3D BiCS5 (-40~85°C)	
SQF-S8BV4-1TDSDE		1	SQF M.2 2280 SSD 650 1TB 3D BiCS5 (-40~85°C)	
SQF-S8BV4-2TDSDE		1	SQF M.2 2280 SSD 650 2TB 3D BiCS5 (-40~85°C)	
SQF-S8BV4-2TDSDE		1	SQF PCIe/NVMe Gen.4 M.2 2280 OPAL 730-D 1T 3D TLC BiCS5 (-20~85°C)	
2.5" SATA Storage		SQF-S25V1-64GDSDM	1	SQF 2.5" SATA SSD 650-D 64G 3D TLC (BiCS5) (-20~85°C)
	SQF-S25V1-128GDSDM	1	SQF 2.5" SATA SSD 650-D 128G 3D TLC (BiCS5) (-20~85°C)	
	SQF-S25V1-256GDSDM	1	SQF 2.5" SATA SSD 650-D 256G 3D TLC (BiCS5) (-20~85°C)	
	SQF-S25V2-512GDSDM	1	SQF 2.5" SATA SSD 650-D 512G 3D TLC (BiCS5) (-20~85°C)	
	SQF-S25V4-1TDSDM	1	SQF 2.5" SATA SSD 650-D 1T 3D TLC (BiCS5) (-20~85°C)	
	SQF-S25V4-2TDSDM	1	SQF 2.5" SATA SSD 650-D 2T 3D TLC (BiCS5) (-20~85°C)	
	SQF-S25V1-64GDSDE	1	SQF 2.5" SATA SSD 650-D 64G 3D TLC (BiCS5) (-40~85°C)	
	SQF-S25V1-128GDSDE	1	SQF 2.5" SATA SSD 650-D 128G 3D TLC (BiCS5) (-40~85°C)	
	SQF-S25V1-256GDSDE	1	SQF 2.5" SATA SSD 650-D 256G 3D TLC (BiCS5) (-40~85°C)	
	SQF-S25V2-512GDSDE	1	SQF 2.5" SATA SSD 650-D 512G 3D TLC (BiCS5) (-40~85°C)	
	SQF-S25V4-1TDSDE	1	SQF 2.5" SATA SSD 650-D 1T 3D TLC (BiCS5) (-40~85°C)	
	SQF-S25V4-2TDSDE	1	SQF 2.5" SATA SSD 650-D 2T 3D TLC (BiCS5) (-40~85°C)	
	Power Cord	1702002600	1	Power Cord UL 3P 10A 125V 183cm
		1700018705	1	Power Cord EU 3P 10A 250V 183cm 180°
1700000596-11		1	Power Cord CCC 3P 10A 250V 183cm	
1700001714		1	Power Cord BSMI 3P 7A 125V 183cm	
1700018704		1	Power Cord BSI 3P 10A 250V 180cm (UK)	
1700000237		1	Power Cord PSE 3P 12A 125V 183cm	

DeviceOn/iService

Unified Remote Device Management Software



Features

- Supports Advantech devices equipped with Windows, Android, and Linux OS
- Flexible device, location, user, and permissions management
- Enables remote monitoring and control of hardware, software, and peripherals
- Supports over-the-air (OTA) firmware and software updates
- Ensures quick, easy, and secure device onboarding
- RESTful APIs for third-party system integration

Introduction

Advantech's DeviceOn/iService is a next-generation unified device management solution based on the WISE-DeviceOn platform. Designed to enable centralized monitoring and remote management, DeviceOn/iService supports Advantech devices equipped with Windows, Linux, or Android operating systems. The software also supports the management of applications and integrated peripherals, such as a barcode scanner, card reader, camera, and printer. Users can remotely access and control connected devices, take screenshots, rollout OTA upgrades, and use remote desktop capabilities for troubleshooting from any location at any time. Moreover, DeviceOn/iService supports batch operations to facilitate the management of multiple devices simultaneously for easy and convenient device configuration and deployment.

Total Management



Devices & Hardware

- Windows, Linux, Android
- Hardware, storage, battery



Software & Peripherals

- Software monitoring & access
- Screens, USB devices, printers



Open for Expansion

- Peripheral integration
- Open APIs for integration

Remote Access



Real-Time Monitoring

- Connection/hardware status
- Software/peripheral status
- Failure notifications



Remote Controls

- Power controls
- Audio, backlight controls
- Software controls



Troubleshooting

- Screenshots
- Remote desktop support

Operational Efficiency



OTA updates

- System/software updates
- File repository management
- App store



Batch Controls

- 1-to-many batch reboot, etc.
- Time-saving tasks



Setup Booster

- Software/peripheral watchlist
- Roles, rule templates

Note: Some functions may vary according to the product

System Architecture

