

# UCAM-120

## 2D Smart Counting Camera Human Head Detection



### Features

- Intelligent all-in-one device for data capture, analysis and delivery
- Easy installation and configuration via web browser
- High counting accuracy rate up to 95%
- Local storage data for counting report
- Comprehensive API for data integration

### Introduction

Among single-lens video sensors, Advantech UCAM 2D Smart Counting Camera can achieve the highest accuracy at affordable price with its powerful data capturing and built-in analytic function. It is ideal for use in indoor environments with low to medium passenger flow for traffic intelligence purposes including bi-directional traffic flow counting. Traffic data from up to eight zones can be collected in real-time, packaged in XML format and delivered to the cloud or local server for generating business reports that can be customized based on customer needs. With open interface and good compatibility, Advantech's UCAM 2D Smart Counting Camera enables businesses to integrate people counting system with other systems such as ERP, CRM or Business Intelligence. The device also supports recessed and wall mounting or ceiling mounting for flexible installation while blending in with any interior or exterior.

### Advantages

#### Higher Accuracy

UCAM can capture 15 frames per second and contains bi-directional traffic flow counting technology which enables a better data processing efficiency and reaches counting accuracy up to 95%.

#### Simple Install and Scale Up

Recessed mounting design of UCAM can fit with the sophisticated decoration of the retail stores. With power over Ethernet, the UCAM only require installing one cable to enable both network and data transmission which would speed up the install efficiency to large amount implement.

### People Counting Analytic

The device integrates video analytic and data management at the edge, providing a 95% of counting accuracy in large traffic circumstance.



#### Comprehensive Data Integration

UCAM collects the counting data and packaged them into an XML format that can be retrieved quickly through RESTful API, thus can be customized and integrated to any solutions.

#### Simple Setting

Only require 1x network port for power supply and data transmission purpose is required in the installation process. The data remains in the device to 60 days even if the network disconnected.

### Store BI Traffic Report

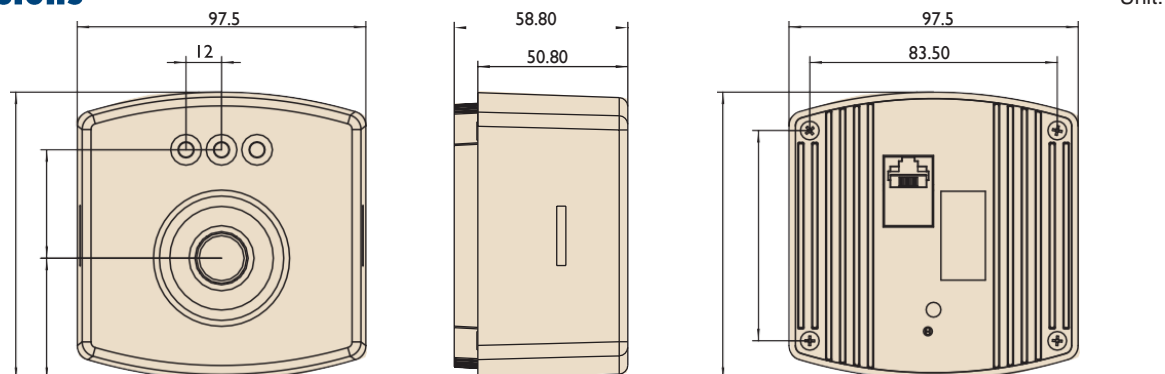
Users can purchase the UCAM 2D Camera with Store BI cloud service. With open RESTful API supported, users can integrate the data and optimize the store management through SaaS service in a more efficient way.



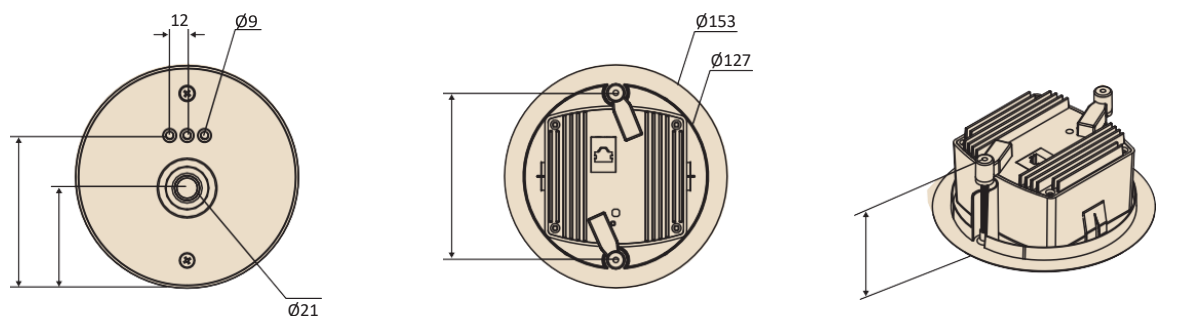
## Specifications

|                  |                                     |  |
|------------------|-------------------------------------|--|
| Software         | Counting Type                       | Head Detection   |
|                  | Software Feature                    | Counting   |
| Hardware         | Materials                           | Shell: Flame Retardant Polycarbonate (UL94 V-0 Flame Class Rating or Equivalent)                       |
|                  | Device                              | 95 x 95 x 58 mm  |
|                  | Package Box                         | 155 x 155 x 132 mm   |
|                  | Weight                              | 0.5kg  |
|                  | Power                               | 5W   |
|                  | Lens Options                        | 2.2mm wide-angle lens  |
|                  | Internal Storage                    | 512MB DDR3   |
|                  | Flash                               | 8GB EMMC   |
|                  | Network                             | 100M Ethernet  |
|                  | RTC working time                    | Minimum 3 days after a power outage  |
|                  | LED                                 | 3 tri-state LED  |
| Power Supply     | 13.5W POE, IEEE 802.3af PoE Class 3 |  |
| Work Environment | Working Temperature                 | 0°C – 50°C   |
| Function         | Mounting Height                     | 2.3m – 5m  |
|                  | Mounting Angle                      | Support horizontal or tilt installation<br>Up to 45°. Tilt installation may degrade counting accuracy. |
|                  | Maximum Counting Area               | 6  |
|                  | Maximum Tracking Capability         | 20 - 50 people simultaneously  |
|                  | Data Preserve                       | Maximum 2 months data preserved after network disconnect (subject to configuration setting)            |

## Dimensions



## Recessed Mount



## Ordering Information

| Part Number  | Description   |
|--------------|---|
| USM-120A-U01 | 2D Smart Counting Camera with recessed mounting kit |