

# UPOS-M15 Series

## Touch Monitor UPOS-M15



### Features

- 15.1" TFT display in LED backlight
- Flat and borderless front P-CAP touch panel design
- IP65 on front panel
- Reserved side hatch for optional module.
- 75 x 75mm VESA mount
- VGA / HDMI input
- Build in speaker



## Introduction

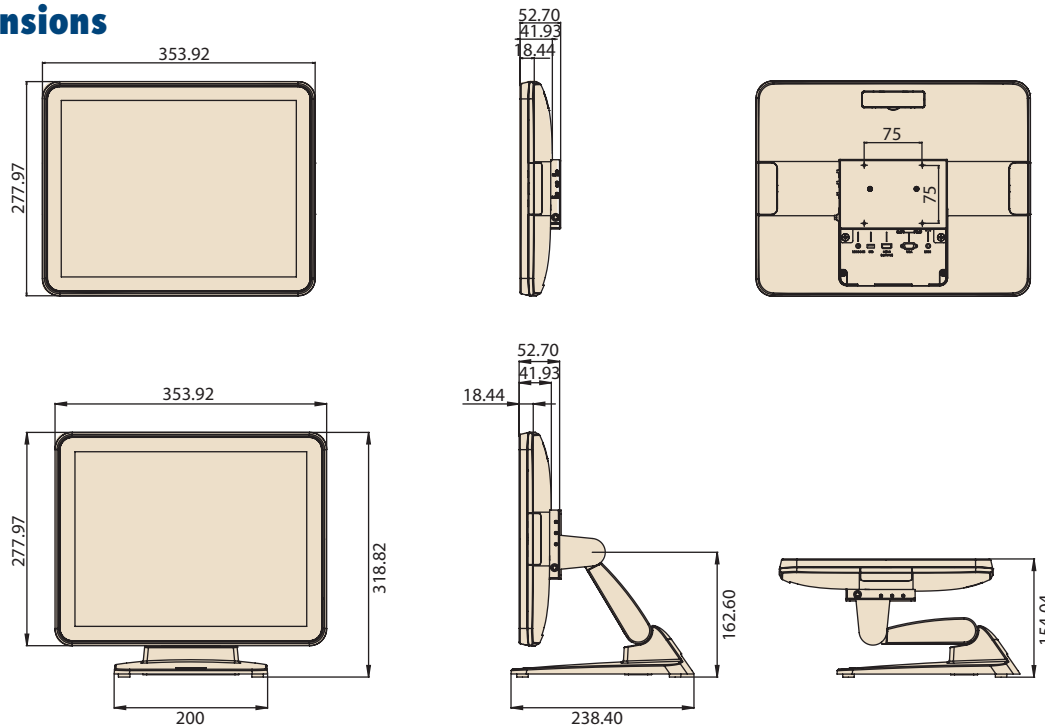
The UPOS-M15 monitor is designed to fit your point of sale system needs. Equipped with borderless touch panel it allows you to finger touch operating the system smoothly. Sleek and thin design provide a modern looking. The UPOS-M15 is able to be mounted through the standard VESA holes on pole, arm or wall mount. Desktop stand option is also available. Hatches are reserved on the back of the display for mounting optional peripherals.

## Specifications

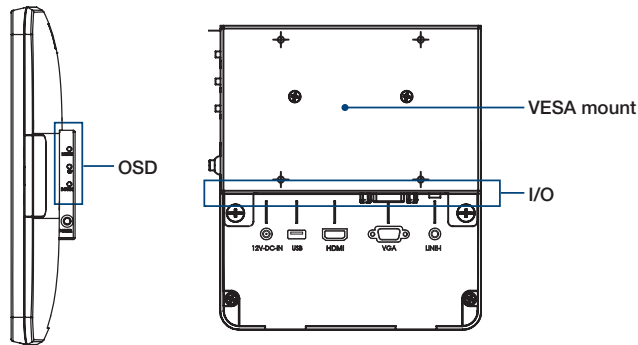
Display	Panel Resolution	15" TFT LCD (LED backlight) / 1024 x 768
	LCD Brightness	300 cd/ m <sup>2</sup>
	Touch Screen	P-Cap Touch
External I/O	Video in	VGA Port (DSUB-15) HDMI Type-C (Optional)
	Audio in	3.5mm jack
	USB	For Touch panel
	DC-In	2-pin power jack
Control Button	Power	Power on/off
	Menu	OSD menu
	Up	selection up
	Down	selection down
Others	Speaker	2W x 2
	Mount	VESA mount 75 x 75 mm
	Hatch	Right/Left/Top hatch reserved mounting for optional modular
	Adapter	12VDC /36W
Optional Modular	side mount Peripherals	MSR
Mechanical & Environmental	Case Color	Black /White
	Dimension (W x H x D)	354(W) x 278(H) x 18(D) mm, Stand: 200(W) x 163(H) x 238(D) mm
	Weight	2.4KG (Net weight) / 2.5KG (Gross weight)
	Operation Temperature	0 - 40° C (32 - 104° F)
	Humidity	max. 95% @ 40°C (104°F) (non-condensing)
	EMI / Safety	FCC/CE/CCC/CB/UL/BSMI

### Dimensions

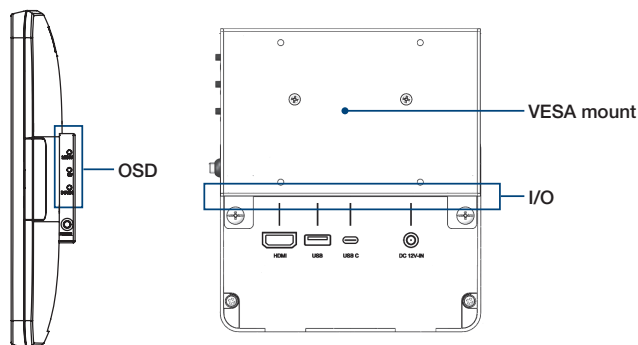
Unit: mm



### I/O View (HDMI+VGA)



### I/O View (HDMI+USB-C)



### Monitor Stand

Part Number	Description
UPOS-P07-A100	M15 monitor stand, dual hinge, VESA 75x75mm, black
UPOS-P07-W100	M15 monitor stand, dual hinge, VESA 75x75mm, white

### Ordering Information

Part Number	Description
UPOS-M15P-BST13	15" 4:3 monitor P-touch HDMI VGA, black, w/ cables&ADP
UPOS-M15P-BST12	15" 4:3 monitor P-touch HDMI Type-C, black, w/ 60cm USB-C cable
UPOS-M15P-WST13	15" 4:3 monitor P-touch HDMI VGA, white, w/ cables&ADP
UPOS-M15P-WST12	15" 4:3 monitor P-touch HDMI Type-C, white, w/ 60cm USB-C cable
UPOS-M15G-BST13	15" 4:3 monitor Glass HDMI VGA, black, w/ cables&ADP
UPOS-M15G-BST12	15" 4:3 monitor Glass HDMI Type-C, black, w/ 60cm USB-C cable

### Accessories

#### Power Cord

Part Number	Description
96CB-POWER-B-1.8MB	RW0.75, CCC, black/3L, 180 cm
1700001524	Power cable 3P, UL, 10A, 125V, 180 cm (US, TW)
170203183C	Power cable 3P, 10A, 250V, 183 cm (EU)
1700018553	Power cable 3P, SAA, 2.5A, 250V, 183 cm (Australia)
1700025113-11	Power cable, ISI, 3P, 2.5A, 250V, 180 cm (India)
1700018409	Power cable, KCC, 2P, 2.5A, 250V, 183 cm (Korea, Russia)
170203180A	Power cable, BSI, 3P, 2.5A, 250V, 183 cm (UK)
1700008921	Power cable, PSE, 3P, 7A, 125V, 180 cm (Japan)
HDMI Cable	1700028438-01 M cable, HDMI 19P, 180 cm

### Packing List

Part Number	Description
-	1 x UPOS-M15
-	1 x 12V power adaptor
-	1 x VGA cable, 180 cm/70.8 in
-	1 x USB cable, 180 cm/70.8 in
-	1 x Audio cable, 180 cm/70.8 in