

UPOS-M15 Series

POS monitor UPOS-M15



Features

- 15.1" TFT display in LED backlight
- Flat and borderless front P-CAP touch panel design
- IP65 on front panel
- Reserved side hatch for optional module.
- 75 x 75mm VESA mount
- VGA / HDMI(optional) input
- Build in speaker



Introduction

M15 monitor is designed to fit your point of sale system need. Monitor mounted borderless touch panel allow you to finger touch operating the system. Sleek and thin design provide a modern looking. M15 be able to mount through the standard VESA holes on pole, arm or wall mount. Desktop stand option is also available. Display back reserved hatched to mount the optional peripherals.

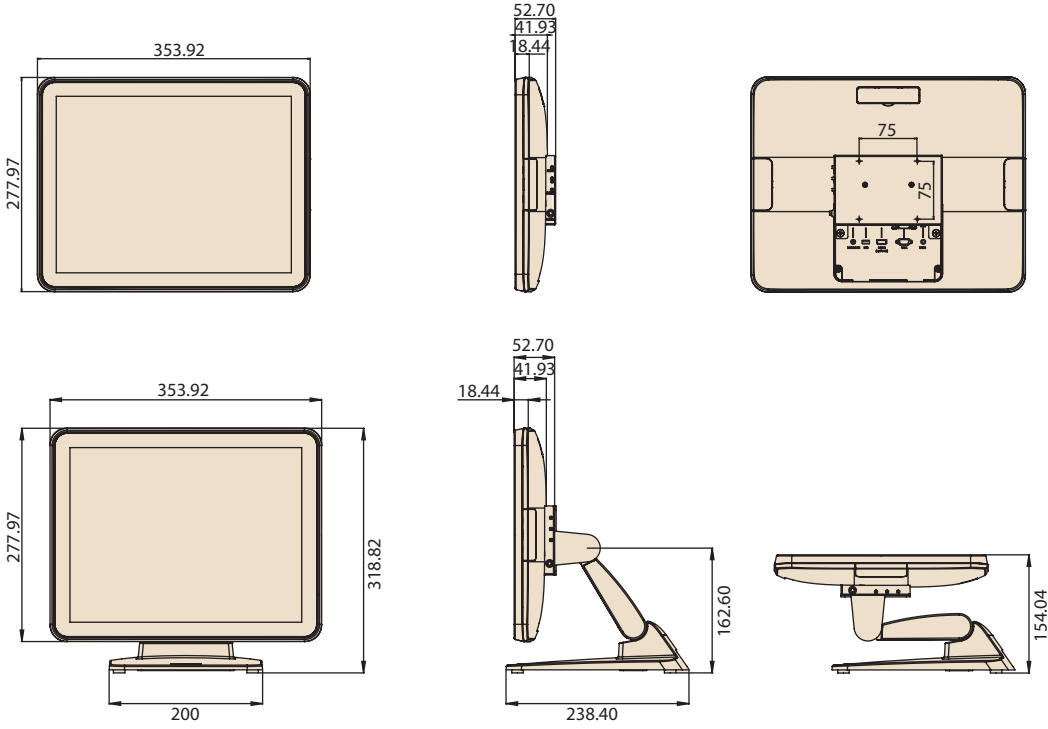
Specifications

Display	Panel Resolution	15" TFT LCD (LED backlight) / 1024 x 768
	Brightness	250 cd/ m ² (400cd/ m ² optional)
	Touch Screen	P-Cap Touch
External I/O	Video in	VGA Port (DSUB-15) HDMI (Optional)
	Audio in	3.5mm jack
	USB	For Touch panel
	DC-In	2-pin power jack
Control Button	Power	Power on/off
	Menu	OSD menu
	Up	selection up
	Down	selection down
Others	Speaker	2W x 2
	Mount	VESA mount 75 x 75 mm
	Hatch	Right/Left/Top hatch reserved mounting for optional modular
	Adapter	12V 25 wattage power adapter
Optional Modular	side mount Peripherals	MSR
Mechanical & Environmental	Case Color	Black /White / Black + Orange
	Dimension (W x H x D)	354(W) x 278(H) x 18(D) mm, Stand: 200(W) x 163(H) x 238(D) mm
	Weight	2.4KG (Net weight) / 2.5KG (Gross weight)
	Operation Temperature	0 ~ 40° C (32 ~ 104° F)
	Humidity	10 ~ 95% @ 40° C non-condensing
	EMI / Safety	FCC/CE/CCC/CB/UL/BSMI

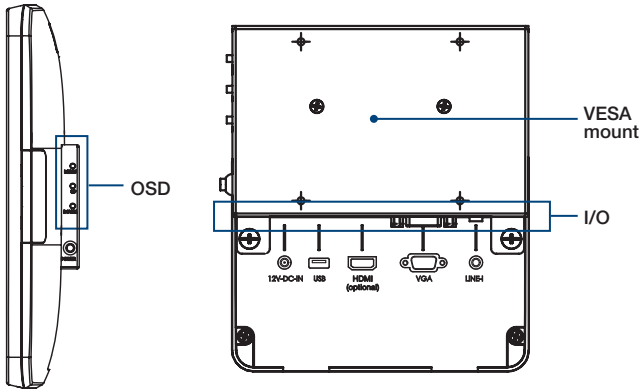
UPOS-M15 series

Dimensions

Unit: mm



I/O View



Ordering Information

Part Number	Description
UPOS-M15P-AST01	15" 4:3 monitor P-touch HDMI VGA BK W/cables
UPOS-M15P-AST02	15" 4:3 monitor P-touch VGA BK w/USB VGA cable
UPOS-M15P-AST11	15" 4:3 P-touch VGA/HDMI/ MSR BK w/cable
UPOS-M15P-AST12	15" 4:3 P-touch MSR BK w/USB VGA cable
UPOS-M15P-WST01	15" 4:3 monitor P-touch HDMI VGA WH W/cables
UPOS-M15P-WST02	15" 4:3 monitor P-touch VGA WH w/ USB VGA cable
UPOS-M15P-WST04	(CN)15" 4:3 monitor P-touch VGA WH w/USB VGA cable

Accessories

Power Cord

Part Number	Description
96CB-POWER-B-1.8MB	RW0.75, CCC, black/3L, 180 cm
1700001524	Power cable 3P, UL, 10A, 125V, 180 cm (US, TW)
170203183C	Power cable 3P, 10A, 250V, 183 cm (EU)
1700018553	Power cable 3P, SAA, 2.5A, 250V, 183 cm (Australia)
1700025113-11	Power cable, ISI, 3P, 2.5A, 250V, 180 cm (India)
1700018409	Power cable, KCC, 2P, 2.5A, 250V, 183 cm (Korea, Russia)
170203180A	Power cable, BSI, 3P, 2.5A, 250V, 183 cm (UK)
1700008921	Power cable, PSE, 3P, 7A, 125V, 180 cm (Japan)
1700028438-01	M cable, HDMI 19P, 180 cm

Peripheral (2yrs warranty)

Part Number	Description
UPOS-P03-A105	MSR, USB for UPOS-510/UPOS-520/M15

Monitor Stand (2yrs warranty)

Part Number	Description
UPOS-P07-A100	M15 monitor stand, double hinge, VESA75x75, BK
UPOS-P07-W100	M15 monitor stand, double hinge, VESA75x75, WH

Packing List

Part Number	Description
-	1 x USC-M6
-	1 x 12V power adaptor
-	1 x VGA cable, 180 cm/70.8 in
-	1 x USB cable, 180 cm/70.8 in
-	1 x Audio cable, 180 cm/70.8 in