

USC-160

15.6" ARM Based Android All-in-One Computer



Features

- Equipped with DeviceOn/iService software for remote device management
- 15.6" TFT display with LED backlight
- Flat bezel-less panel with PCAP touch
- Reserved side hatch for optional peripherals
- Embedded RFID/NFC reader, Barcode scanner and camera (optional)
- Supports VESA (75 x 75 mm) and wall mounting
- IP65-rated front panel
- Supports Power over Ethernet
- 12 ~ 36V wide input range

DeviceOn/iService Specifications

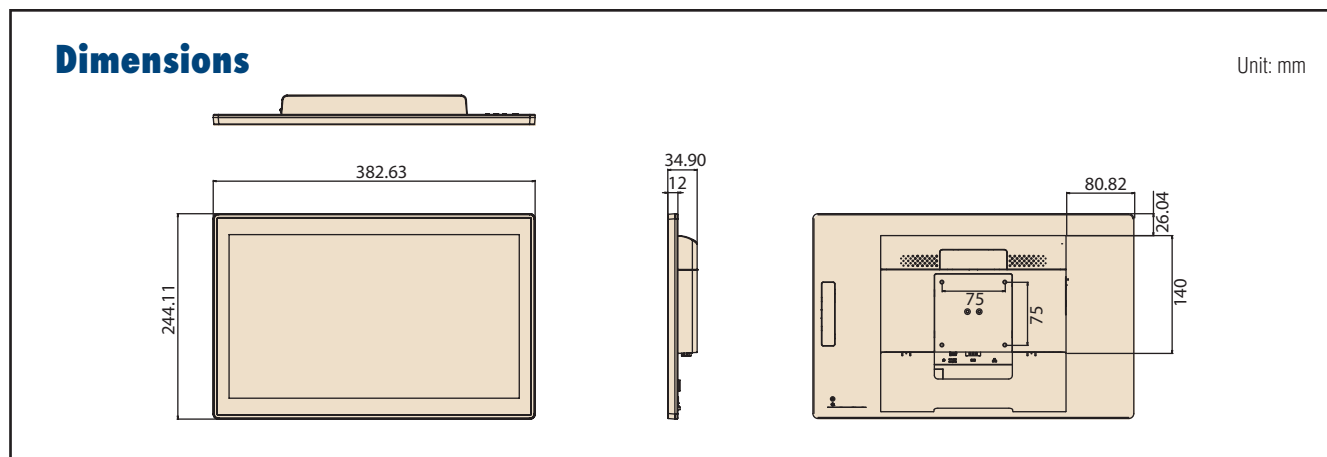


		USC-160AP-BX1XX	USC-160AP-BX2XX
System	CPU	Rockchip RK3288 quad-core Cortex™-A17 (up to 1.8 GHz)	Rockchip RK3399 dual-core Cortex™-A72 (up to 1.8 GHz)/quad-core Cortex™-A53 (up to 1.4 GHz)
Graphics	GPU	Mali-T764	Mali-T860
Memory	Capacity	2 GB onboard (4 GB optional)	
	Flash	16 GB onboard eMMC (32 GB optional)	
	Extension	Micro SD	
Display	Display Size	15.6" widescreen (16:9) TFT color LCD	
	Touchscreen	Projected capacitive touch panel (PCAP flat glass)	
	Max. Resolution	HD: 1366 x 768 FHD: 1920 x 1080	
	Viewing Angle	HD: Horizontal: ± 45°; Vertical: 20° and 40° FHD: Horizontal: ±85° or 170° total; Vertical: ±85° or 170° total	
	Luminance	HD: 250 cd/m ² FHD: 400 cd/m ²	
	Contrast Ratio	HD: 500:1 FHD: 1000:1	
I/O	HDMI	1	
	LAN	1 x 10/100/1000 Mbps (supports PoE)	
	Serial Port	1 x (RS-232/485 via jumper), up to 2 (1 x for RS-232 only)	
	USB Port	2 x USB 2.0 (up to 4)	2 x USB 3.0 (up to 4: 2 x USB 2.0 and 2 x USB 3.0)
	Audio Out	1	
	Mic In	1	
	DC Input	1 x Power jack (12 ~ 36V)	
	Micro SD	1	
	SIM Card	1	
Other	Speaker	2W	
	Mount Options	VESA mount 75 x 75 mm (2.95 x 2.95 in)	
	Hatch	Right/bottom hatch auxiliary mounting for optional modules	
	Adapter	12V/36W	
Optional Peripherals	RFID/NFC (Embedded)	1443A/B, 15693, Filcon	
	Barcode Scanner(Embedded)	1D/2D Code reorganization	
	Camera (Embedded)	2MP camera module without LED	
	Wi-Fi/Bluetooth	Wi-Fi: 802.11ac/a/b/g/n BT: 4.2 Wi-Fi/BT combo module	
IP Rating	Front Panel	IP65	
Environmental	Operating Temperature	0 ~ 40 °C/32 ~ 104 °F	
	Humidity	10 ~ 95% @ 40 °C/104 °F (non-condensing)	
Mechanical Specifications	Color	Black or white	
	Dimensions (W x D x H)	382.63 x 244.11 x 34.9 mm/15.06 x 9.6 x 1.37 In	
	Weight	3.5 kg /7.7 lb	
Certifications	EMI/Safety	FCC, CE, CCC, BSMI, VCCI, UL, CB	
Operating System		Android 8.1, Android 10, Linux	Android 8.1, Android 10, Android 12, Linux

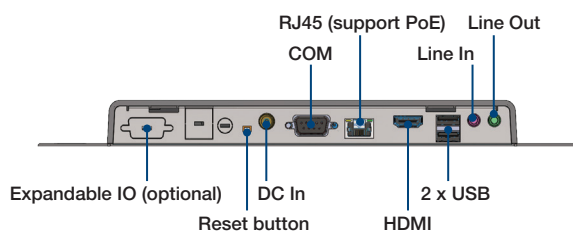
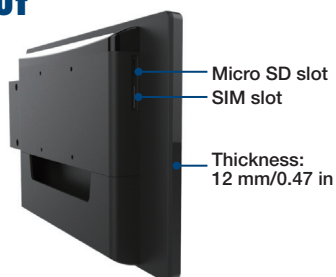
Specifications Cont.

DeviceOn/iService Remote Device Management	Operating System	Android 8, 10, 12
	Common Controls (Reboot, Shutdown)	✓
	Remote desktop	✓ (VNC)
	Device-Specific Controls (Audio, Backlight)	✓
	Connection Status	✓
	Hardware Status	✓
	Batch Operation Support	✓
	OTA Storage Management	Local blob
	OTA Software Updates	✓
	Software Watchlist	✓
	Software Start/Stop	✓
	Kiosk Mode	✓
Peripherals Watchlist	✓	

Note: DeviceOn/iService software must be downloaded from the Advantech website at <https://www.advantech.com/search/?q=DeviceOn%2FiService&st=support&sst=Utility>



I/O Layout



Ordering Information

For Worldwide Model

PN	Description
USC-160AP-BC106	15.6" 16:9 RK3288 2G ram/16G eMMC, HD, Android10, PoE, no wifi
USC-160AP-BC116	15.6" 16:9 RK3288 2G ram/16G eMMC, FHD, Android10, PoE, no wifi
USC-160AP-BC216	15.6" 16:9 RK3399 2G ram/16G eMMC, FHD, Android10, PoE, no wifi
USC-160BP-BD011	15.6" 16:9 RK3399 2G ram/16G eMMC, FHD, Android12, PoE, no wifi

For EU Only Model

PN	Description
USC-160AP-BC111	15.6" 16:9 RK3288 2G ram/16G eMMC, FHD, Android 10, WIFI, PoE

Peripheral

Part Number	Description
USC-P03-B200	MSR via USB for USC-MX/1XX
UPOS-P07-A100	UTC VESA stand (75x75), double hinge, black, for horizontal installations
USC-A-STAND-1	Avalo stand for primary display, black
USC-A-STAND-2	Avalo tube for secondary display, black
USC-P05-B110	2D barcode scanner
ARES-12240-AR01100	Wall Mount, support 2~10kg, 75/100mm
ARES-12250-L101000	Wall Mount, max. support 25kg, 75/100mm

Accessories

	Part Number	Description
Power Cable	96CB-POWER-B-1.8MB	RWD.75, C.CC, black/3L, 180 cm
	1700001524	Power cable 3P, UL, 10A, 125V, 180 cm (US, TW)
	170203183C	Power cable 3P, 10A, 250V, 183 cm (EU)
	1700018553	Power cable 3P, SAA, 2.5A, 250V, 183 cm (Australia)
	1700025113-11	Power cable, ISI, 3P, 2.5A, 250V, 180 cm (India)
	1700018409	Power cable, KCC, 2P, 2.5A, 250V, 183 cm (Korea, Russia)
	170203180A	Power cable, BSI, 3P, 2.5A, 250V, 183 cm (UK)
	1700008921	Power cable, PSE, 3P, 7A, 125V, 180 cm (Japan)

DeviceOn/iService

Unified Remote Device Management Software



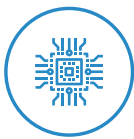
Features

- Supports Advantech devices equipped with Windows, Android, and Linux OS
- Flexible device, location, user, and permissions management
- Enables remote monitoring and control of hardware, software, and peripherals
- Supports over-the-air (OTA) firmware and software updates
- Ensures quick, easy, and secure device onboarding
- RESTful APIs for third-party system integration

Introduction

Advantech's DeviceOn/iService is a next-generation unified device management solution based on the WISE-DeviceOn platform. Designed to enable centralized monitoring and remote management, DeviceOn/iService supports Advantech devices equipped with Windows, Linux, or Android operating systems. The software also supports the management of applications and integrated peripherals, such as a barcode scanner, card reader, camera, and printer. Users can remotely access and control connected devices, take screenshots, rollout OTA upgrades, and use remote desktop capabilities for troubleshooting from any location at any time. Moreover, DeviceOn/iService supports batch operations to facilitate the management of multiple devices simultaneously for easy and convenient device configuration and deployment.

Total Management



Devices & Hardware

- Windows, Linux, Android
- Hardware, storage, battery



Software & Peripherals

- Software monitoring & access
- Screens, USB devices, printers



Open for Expansion

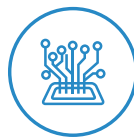
- Peripheral integration
- Open APIs for integration

Remote Access



Real-Time Monitoring

- Connection/hardware status
- Software/peripheral status
- Failure notifications



Remote Controls

- Power controls
- Audio, backlight controls
- Software controls



Troubleshooting

- Screenshots
- Remote desktop support

Operational Efficiency



OTA updates

- System/software updates
- File repository management
- App store



Batch Controls

- 1-to-many batch reboot, etc.
- Time-saving tasks



Setup Booster

- Software/peripheral watchlist
- Roles, rule templates

Note: Some functions may vary according to the product

System Architecture

