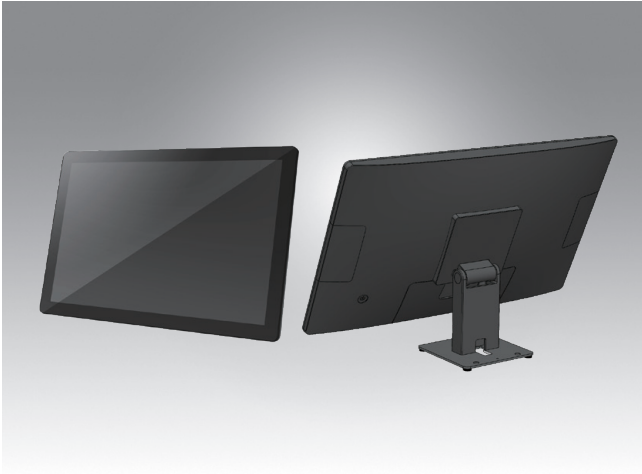


USC-M15W

15.6" PCAP Touchscreen Monitor



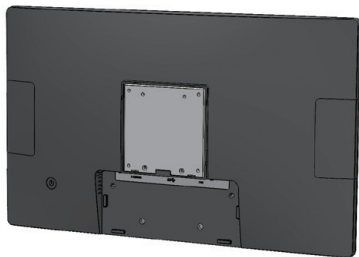
Features

- 15.6" Full HD LCD (LED backlight)
- Flat bezel-less PCAP touch panel
- Supports VESA (75 x 75 mm) and single hinge stand
- IP65-rated front panel
- Compact, future-ready and simple design
- USB-C solution optimizes serviceability

Specifications

Model	USC-M15W
Panel	15.6" Full HD LCD (LED backlight)
LCD Brightness	220 cd/m ²
Contrast Ratio	1000:1
Touchscreen	P: PCAP / G: Glass
Resolution	1920x1080
Aspect Ratio	16:9
Signal Input	HDMI, USB C
Viewing Angle	178°/178°
Power	DC12V
Response Time	25ms
Vesa Mountable	75x75mm
Speaker	2x2W
Operating Temperature	0 ~ 40° C
Color Option	Black
Dimensions	381 x 230.5 x 31.5 mm
OS Support	Windows/Linux/Android

Appearance



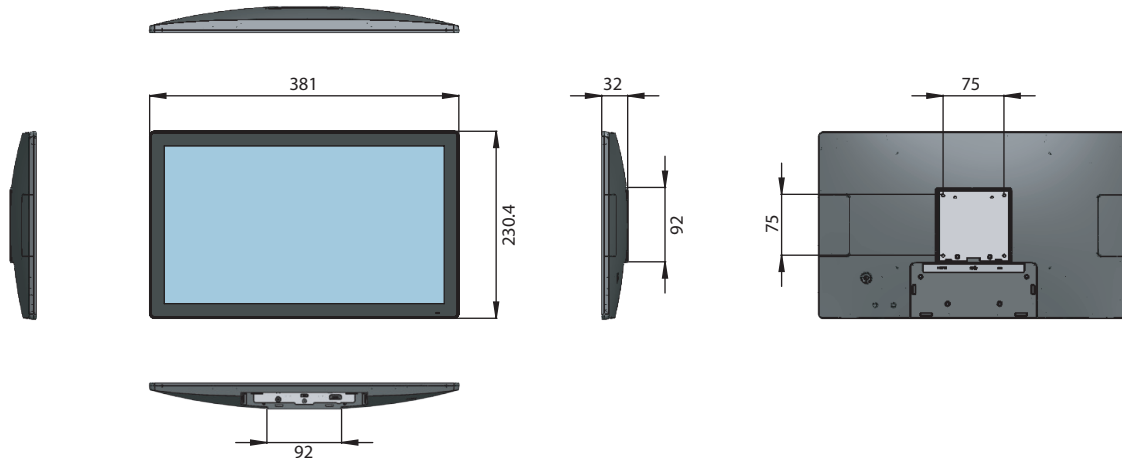
VESA 75x75



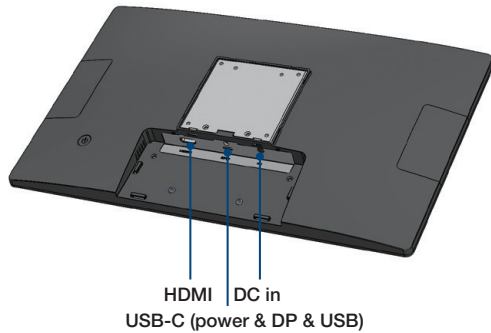
Single Hinge Stand

Dimensions

Unit: mm



Interface



HDMI DC in
USB-C (power & DP & USB)

Ordering Information

Part Number	Description
USC-M15WP-BST10	15.6" 16:9 monitor, PCAP, FHD, USB-C, HDMI, blk, VESA75, no ADP
USC-M15WP-BST13	15.6" 16:9 monitor, PCAP, FHD, USB-C, HDMI, stand, blk, no ADP

Note: If the mainframe provides full-featured USB-C, then USC-M15W can work with just 1pcs USB-C to USB-C cable; otherwise, USC-M15W needs adapter, HDMI cable and USB touch cable. Full-featured USB-C provides USB data, video signal and power at the same time.

Accessories

Part Number	Description
USB C to USB C cable	1700033294-01 M cable USB-C 24P/USB-C 24P 60cm USB3.1 W/lock
USB A to USB C cable	1700033729-01 M cable short USB-A 4P(M)/USB-C 24P(M) 65cm
HDMI cable	1700028438-01 M cable HDMI 19P/HDMI 19P 180cm
Adapter	96PSA-A36W12V5-3 ADP A/D 100-240V 36W 12V C6 DC JACK 62368
Power Cord	96CB-POWER-B-1.8MB RW0.75, CCC, black/3L, 180 cm
	1700001524 Power cable 3P, UL, 10A, 125V, 180 cm (US, TW)
	170203183C Power cable 3P, 10A, 250V, 183 cm (EU)
	1700018553 Power cable 3P, SAA, 2.5A, 250V, 183 cm (Australia)
	1700025113-11 Power cable, ISI, 3P, 2.5A, 250V, 180 cm (India)
	1700018409 Power cable, KCC, 2P, 2.5A, 250V, 183 cm (Korea, Russia)
	170203180A Power cable, BSI, 3P, 2.5A, 250V, 183 cm (UK)
	1700008921 Power cable, PSE, 3P, 7A, 125V, 180 cm (Japan)