

# USC-M6

## 15.6" Ultra-Slim Touchscreen Monitor



### Features

- 15.6" TFT display with LED backlight
- Flat bezel-less PCAP touch panel
- Reserved side hatch for optional peripherals
- Embedded RFID reader and camera
- Supports VESA (75 x 75 mm/2.95 x 2.95 in) and wall mounting
- Ultra-slim (12 mm/0.47 in), IP65-rated front panel



### Introduction

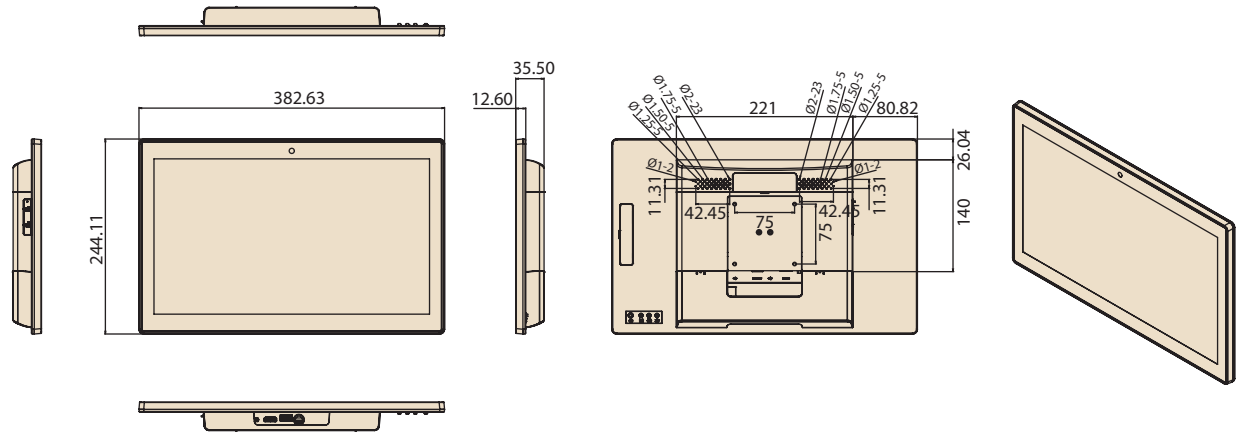
Advantech's Avalo family USC-M6 touch monitor is designed to serve as a mini point-of-service (POS) solution that can be integrated with a box PC or secondary display for diverse applications. The ultra-slim display features a bezel-less PCAP touch panel for convenient and intuitive operation, while the VESA mount (75 x 75 mm/2.95 x 2.95 in) supports stand, wall, pole, and arm mounting for installation according to usage requirements. USC-M6 can also be integrated with a wide range of optional peripherals, such as a camera, RFID reader, or an external MSR or iButton module.

### Specifications

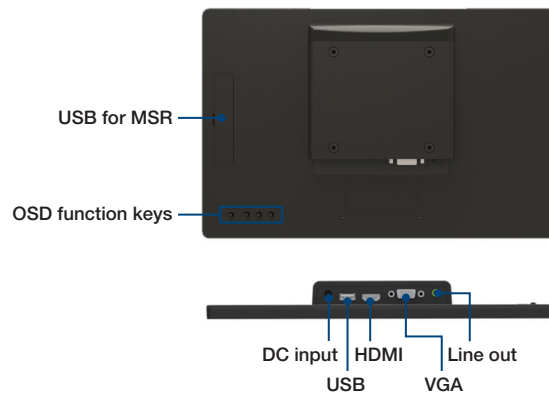
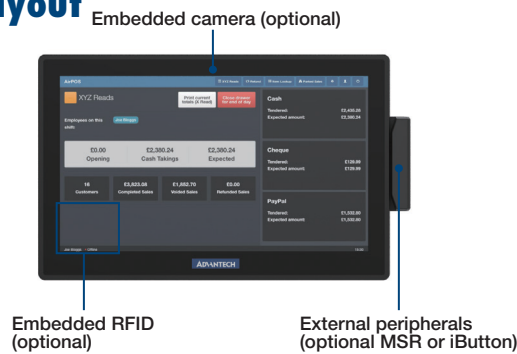
		USC-M6P-BST00 USC-M6P-BST03 USC-M6G-BST00	USC-M6P-BST10 USC-M6P-BST14
Display	Display Size	15.6" widescreen (16:9) TFT color LCD	15.6" widescreen (16:9) TFT color LCD
	Touchscreen	Projected capacitive touch panel (PCAP flat glass)	Projected capacitive touch panel (PCAP flat glass)
	Max. Resolution	1366 x 768	1920 x 1080
	Pixel Pitch (H x V)	0.1875 x 0.1875 mm/0.0073 x 0.0073 in	0.17295 x 0.17295 mm/0.0068 x 0.0068 in
	Viewing Angle	45 (Left/Right)/20(Top)/40(bottom)	85/85
	Luminance	220 cd/m <sup>2</sup>	300 cd/m <sup>2</sup>
	Backlight	LED	LED
	LCD MTBF	15,000 hours	50,000 hours
I/O	Contrast Ratio	400:1	1000:1
	Video Input (1x alternative signal)	1 x VGA (D-Sub 15) HDMI	
	Audio Input	1 x audio jack (3.5 mm)	
	USB	1 x for touch panel	
Control Buttons	DC Input	1 x power jack (12V <sub>DC</sub> )	
	Power	Power on/off	
	Menu	OSD menu	
	Up	Selection up	
Other	Down	Selection down	
	Speaker	2W	
	Mount	VESA mount (75x75)	
	Hatch	Right/Bottom hatch reserved mounting for optional modules	
Module Options	Adaptor	12V 36W	
	Embedded Peripherals	RFID (1443A/B, 15693, FeliCa)	
	Side-Mounted Peripherals	MSR, iButton module	
Mechanical & Environmental	Case Color	Black/white	
	Operating Temperature	0 ~ 40 °C/32 ~ 104 °F	
	Humidity	10-95% @ 40 °C/104 °F non-condensing	
	EMI & Safety	FCC, CE, CCC, BSMI, VCCI, CB, UL	

## Dimensions

Unit: mm



## I/O Layout



## Packing List

Part Number	Description
-	1 x USC-M6
-	1 x 12V power adaptor
-	1 x VGA cable, 180 cm/70.8 in
-	1 x USB cable, 180 cm/70.8 in
-	1 x Audio cable, 180 cm/70.8 in
-	1 x MSR assembly component

## Accessories

### For HD SKU

Part Number	Description
1702002600	Power cable 3P, UL, 10A, 125V, 180 cm (US, TW)
1702002605	Power cable 3P, 10A, 250V, 183 cm (EU)
1700028438-01	M cable, HDMI 19P, 180 cm

### For FHD SKU

Part Number	Description
96CB-POWER-B-1.8MB	RW0.75, CCC, black/3L, 180 cm
1700001524	Power cable 3P, UL, 10A, 125V, 180 cm (US, TW)
170203183C	Power cable 3P, 10A, 250V, 183 cm (EU)
1700018553	Power cable 3P, SAA, 2.5A, 250V, 183 cm (Australia)
1700025113-11	Power cable, ISI, 3P, 2.5A, 250V, 180 cm (India)
1700018409	Power cable, KCC, 2P, 2.5A, 250V, 183 cm (Korea, Russia)
170203180A	Power cable, BSI, 3P, 2.5A, 250V, 183 cm (UK)
1700008921	Power cable, PSE, 3P, 7A, 125V, 180 cm (Japan)
HDMI Cable	1700028438-01 M cable, HDMI 19P, 180 cm

## Ordering Information (2 year warranty)

Part Number	Description
USC-M6P-BST00	15.6" HD TFT monitor, PCAP touch, VESA mount, black
USC-M6P-BST03	15.6" HD TFT monitor, PCAP touch, VESA mount, RFID/camera, black
USC-M6P-BST10	15.6" FHD TFT monitor, PCAP touch, VESA mount, black
USC-M6P-WST14	15.6" FHD TFT monitor, PCAP touch, white (for US & TW)
USC-M6G-BST00	15.6" HD TFT monitor, VESA mount, black

## Peripherals (2 year warranty)

Part Number	Description
USC-P03-B200	MSR via USB for USC-MX/1XX

## Monitor Stand

Part Number	Description
UTC-S01-STAND	UTC VESA desktop stand (75x75)
UPOS-P07-A100	M15 VESA monitor stand (75x75), double hinge, black

## Box PC (2 year warranty)

Part Number	Description
USM-110A-BR120	Cortex A17, 2GB/16GB, 2 x HDMI, Android 6.0, and IMM SW
USM-110A-BR110	Cortex A17, 2GB/8GB, 2 x HDMI, Android 6.0, and IMM SW
UBX-310D-L0B0E	Barebone monitor with fanless Intel® Celeron® J1900 CPU and RJ11
UBX-310F-I3B00	Barebone monitor with fanless Intel® Core™ i3 6100U CPU
UPOS-540FP-AI512	Intel® Core™ i5-6300U, USB 6, COM 6, & 8 Intel® Core™ i5-6300U, 6 x USB, 6 x COM, and 8GB